

Large Volume Tank Products Pricing and Ordering

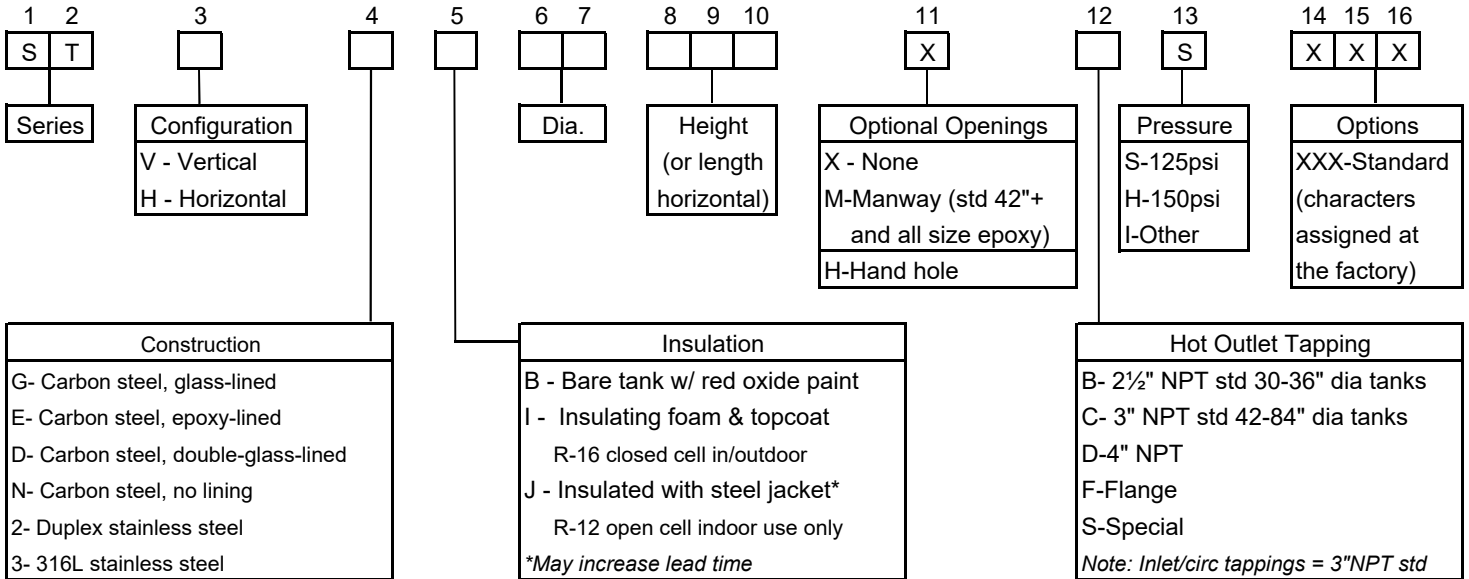
Large Volume Storage Tanks, Model ST 2
Chilled Water Buffer Tanks, Model BT 7
Hydraulic Separators / Hot Water Buffer Tanks, Model HT..... 9
Options for Models ST, BT, HT & XT 11
Expansion Bladder Tanks, Model LEBT 12
Commercial Electric Water Heater, Model EV 14
Hot Water Generator, Model XT..... 19



Large Volume Storage Tank Pricing - Effective July 18, 2022

Model ST

Model Nomenclature



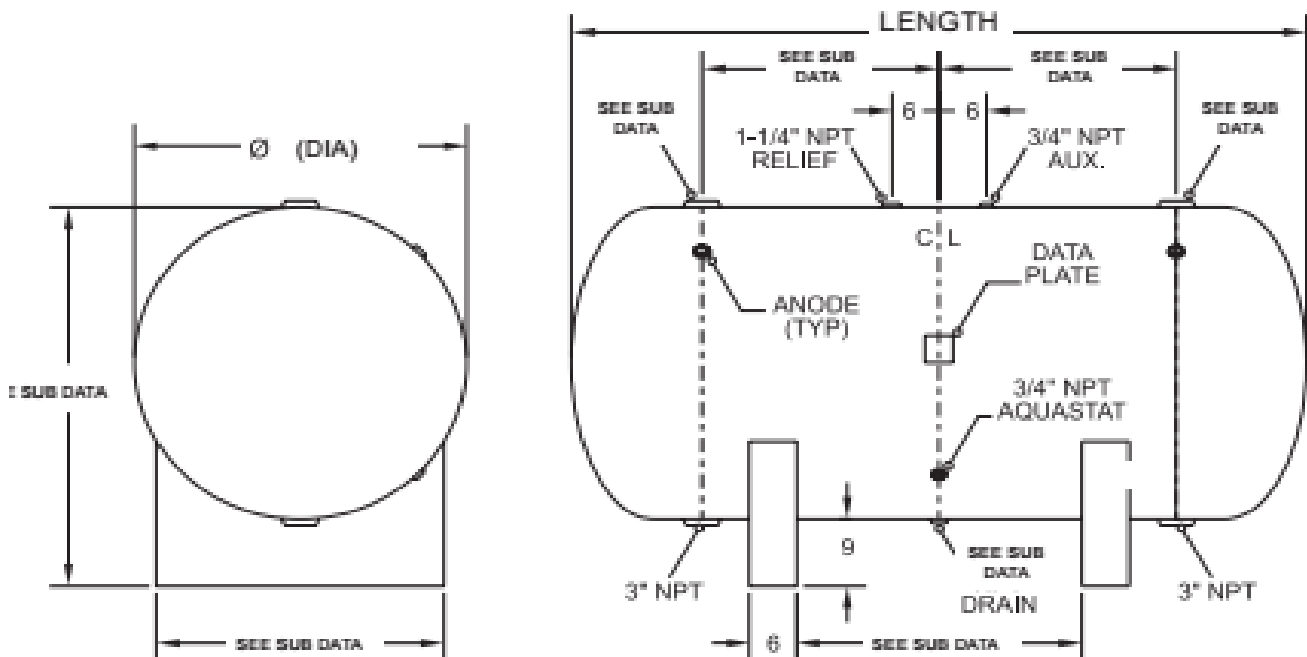
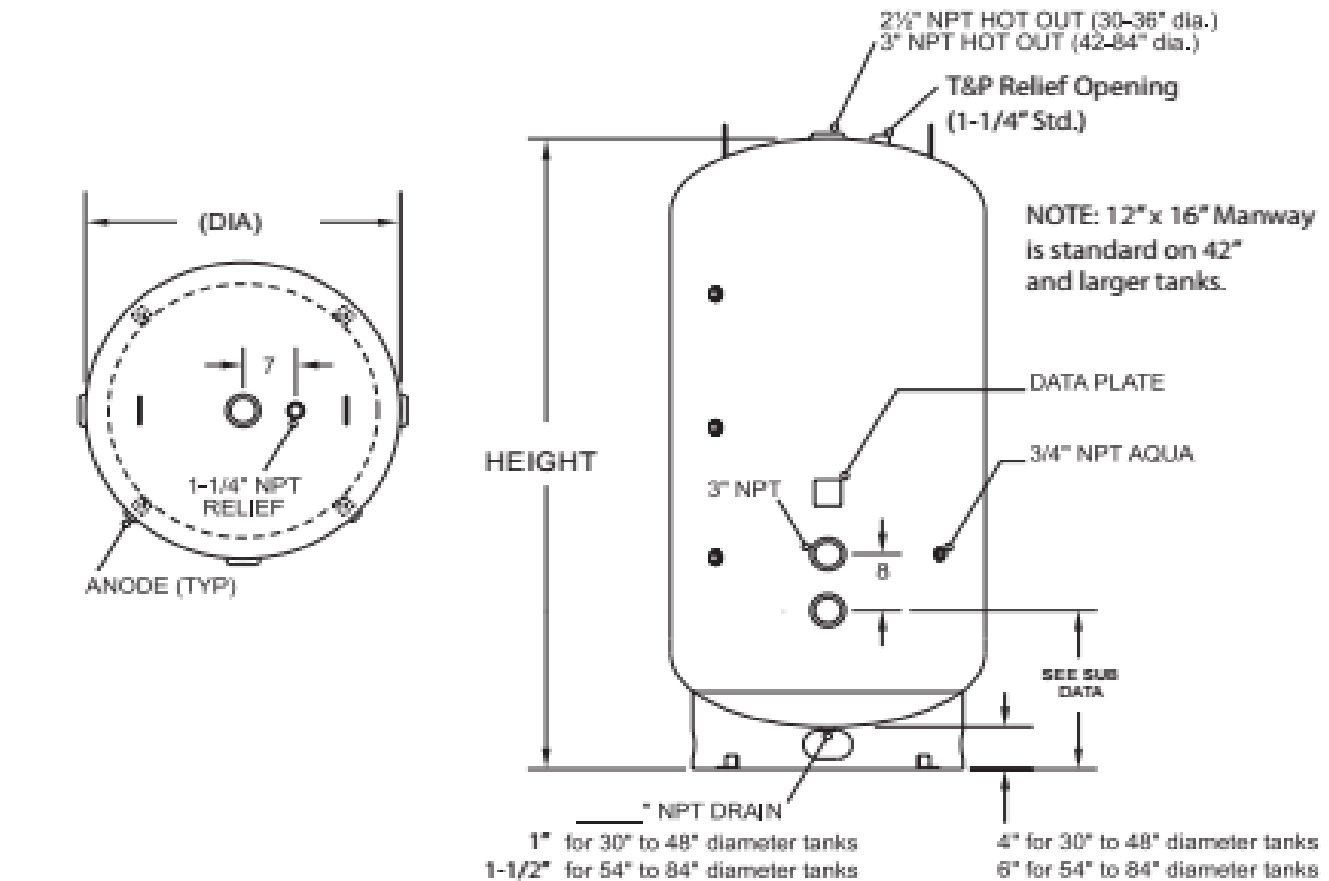
Notes:

1. Any tank may be customized with the options and accessories shown in this document.
2. Up to 48" diameter tanks use a 4" skirt. 54" diameter and larger tanks use a 6" skirt.
3. Saddles are mandatory for horizontal tanks. To add for saddles, see the custom tank options page.
4. Carbon steel tanks are built with anode rods.
5. Larger diameter tanks may be available. Call factory.
6. Alternate stainless steel compositions may be available. Call factory.
7. If desired, dedicated cold water makeup tappings can be ordered. See the options and accessories page.
8. Warranties:
 - Carbon steel glass-lined carries a 5-year limited tank warranty.
 - Carbon steel double-glass-lined carries a 10-year limited tank warranty.
 - Carbon steel epoxy-lined or unlined carry a 1-year limited tank warranty.
 - Duplex stainless steel construction carries a 25-year limited tank warranty.
 - 316L stainless steel construction carries a 10-year limited tank warranty.
 - See warranty documents for details.

Large Volume Storage Tank Pricing - Effective July 18, 2022

Model ST

Dimensional Drawing



Large Volume Storage Tank Pricing - Effective July 18, 2022

Model ST

Model Data

ST Model Size	Nominal Gallons	Actual Gallons	Bare Tank Weight, lbs.		Topcoated Tank Weight, lbs.		Jacketed Tank Weight, lbs.	
			Vertical	Horizontal	Vertical	Horizontal	Vertical	Horizontal
3 0 0 6 3	193	175	340	365	340	365	548	570
3 0 0 7 5	229	210	387	412	387	412	613	613
3 0 0 8 5	260	240	420	545	420	545	673	755
3 0 0 9 9	303	280	483	508	483	508	700	728
3 0 1 1 1	340	320	530	555	530	555	730	774
3 6 0 7 2	317	285	550	576	550	576	714	776
3 6 0 7 8	344	310	588	614	588	614	782	827
3 6 0 8 5	375	340	633	659	633	659	845	876
3 6 0 9 0	397	360	664	690	664	690	894	935
3 6 1 0 2	449	415	742	768	742	768	982	1016
3 6 1 1 4	502	465	818	884	818	884	1106	1157
3 6 1 2 6	555	515	894	920	894	920	1194	1260
4 2 0 7 2	430	380	*	*	*	*	*	*
4 2 0 8 1	486	435	783	810	783	810	1024	1110
4 2 0 8 4	504	453	805	832	805	832	1074	1049
4 2 0 9 3	558	505	874	874	874	874	1168	1181
4 2 1 0 5	630	575	963	900	963	900	1292	1263
4 2 1 1 7	702	645	1052	984	1052	984	1392	1352
4 2 1 2 9	774	720	1140	1068	1140	1068	1498	1460
4 2 1 3 9	846	790	1217	1138	1217	1138	1587	1547
4 8 0 7 3	572	500	1038	1090	1038	1090	1381	1449
4 8 0 8 4	658	580	1161	1213	1161	1213	1539	1593
4 8 0 9 6	752	675	1298	1350	1298	1350	1653	1750
4 8 1 0 8	846	765	1433	1485	1433	1485	1803	1803
4 8 1 1 6	909	836	1522	*	1522	*	*	*
4 8 1 2 0	940	860	1567	1619	1567	1619	1947	2069
4 8 1 4 1	1128	1040	1805	1857	1805	1857	2216	2407
4 8 1 6 8	1306	1225	2186	2160	2186	2160	n/a	n/a
5 4 0 9 9	981	875	1596	1696	1596	1696	2200	2275
5 4 1 1 3	1119	1000	1827	*	1827	*	2400	2475
5 4 1 2 3	1219	1110	1889	2124	1889	2124	2575	2650
5 4 1 3 4	1327	1200	1969	2252	1969	2252	*	2825
5 4 1 4 7	1457	1340	2182	2306	2182	2306	n/a	n/a
5 4 1 5 6	1545	1442	*	2364	*	2419	n/a	n/a
5 4 1 6 0	1585	1481	2402	*	2402	*	n/a	n/a
5 4 1 6 5	1635	1500	2484	2734	2484	2734	n/a	n/a
5 4 1 8 3	1814	1690	2722	2972	2722	2972	n/a	n/a
6 0 0 9 6	1174	1000	2007	2548	2007	2548	2600	2675
6 0 1 1 4	1395	1245	2376	2648	2376	2648	3050	3050
6 0 1 2 8	1565	1430	2586	2736	*	2736	3175	*
6 0 1 3 8	1689	1530	2797	2829	2797	2829	3500	3575
6 0 1 6 8	1983	1820	3210	3560	3210	3560	n/a	n/a
6 0 1 7 7	2165	2000	3481	3491	3481	3491	n/a	n/a
6 0 1 8 6	2276	2105	3639	*	3639	*	n/a	n/a
6 0 2 1 0	2570	2395	3922	4172	3922	4172	n/a	n/a
7 2 0 9 4	1655	1433	2551	*	2551	*	*	*
7 2 1 0 0	1761	1538	2677	2942	2677	2942	*	*
7 2 1 1 7	2061	1800	3035	3305	3035	3305	*	*
7 2 1 2 0	2115	1865	3099	3369	3099	3369	*	*
7 2 1 2 8	2256	2000	3267	3540	3267	3540	*	*
7 2 1 4 4	2538	2285	3304	3881	3304	3881	n/a	n/a
7 2 1 5 7	2765	2500	3878	4105	3878	4105	n/a	n/a
7 2 1 6 8	2959	2727	4110	4394	4110	4394	n/a	n/a
7 2 1 9 2	3382	3147	4616	4852	4616	4852	n/a	n/a
7 2 2 1 6	3805	3567	5122	5418	5122	5418	n/a	n/a
7 2 2 5 0	4404	4162	5616	6144	5616	6144	n/a	n/a
8 4 1 2 1	2901	2500	4265	4684	4265	4684	n/a	n/a
8 4 1 3 8	3308	2915	4747	5196	4747	5196	n/a	n/a
8 4 1 6 2	3884	3480	5428	5902	5428	5902	n/a	n/a
8 4 1 8 6	4459	4045	6109	6614	6109	6614	n/a	n/a
8 4 2 1 0	5038	4610	6789	7327	6789	7327	n/a	n/a
8 4 2 5 6	6138	5695	8094	8693	8094	8693	n/a	n/a

*Contact Factory

Large Volume Storage Tank Pricing - Effective July 18, 2022

Model ST

List Pricing

Model	Nom. Gal. Act. Gal.			Model Character 4					Model Character 5		
				"G"	"E"	"D"	"2"	"3"	"B"	"I"	"J"
				Standard Glass Lined List Price	Epoxy Lined** Adder	Double Glass Lined Adder	Duplex Stainless Adder	316L Stainless Adder	Bare Rex Oxide Paint	Insulating Topcoat Adder	Insulated Steel Jacket Adder
S T # # # 3 0 0 6 3	193	175	\$10,348	\$2,103	\$2,357	\$17,803	\$16,396	standard	\$3,131	\$5,333	
S T # # # 3 0 0 7 5	229	210	\$10,796	\$2,266	\$2,357	\$18,691	\$17,214	standard	\$3,688	\$5,704	
S T # # # 3 0 0 8 5	260	240	\$11,334	\$2,429	\$2,357	\$19,153	\$17,627	standard	\$4,174	\$6,250	
S T # # # 3 0 0 9 9	303	280	\$11,962	\$2,593	\$2,357	\$20,008	\$18,410	standard	\$4,801	\$6,647	
S T # # # 3 0 1 1 1	340	320	\$12,459	\$2,756	\$2,357	\$20,785	\$19,125	standard	\$5,288	\$6,896	
S T # # # 3 6 0 7 2	317	285	\$13,334	\$2,130	\$3,224	\$18,907	\$17,296	standard	\$4,174	\$6,815	
S T # # # 3 6 0 7 8	344	310	\$13,726	\$2,293	\$3,224	\$19,061	\$17,421	standard	\$4,591	\$7,193	
S T # # # 3 6 0 8 5	375	340	\$14,431	\$2,456	\$3,224	\$19,278	\$17,606	standard	\$5,009	\$7,410	
S T # # # 3 6 0 9 0	397	360	\$14,689	\$2,620	\$3,224	\$19,497	\$17,789	standard	\$5,217	\$7,457	
S T # # # 3 6 1 0 2	449	415	\$15,423	\$2,783	\$3,224	\$23,356	\$21,417	standard	\$5,912	\$7,531	
S T # # # 3 6 1 1 4	502	465	\$16,048	\$2,946	\$3,224	\$25,725	\$23,636	standard	\$6,609	\$8,005	
S T # # # 3 6 1 2 6	555	515	\$16,784	\$3,111	\$3,224	\$27,988	\$25,749	standard	\$7,235	\$8,568	
S T # # # 4 2 0 7 2	430	380	\$14,826	\$139	\$4,240	\$30,204	\$27,928	standard	\$4,898	\$8,098	
S T # # # 4 2 0 8 1	486	435	\$16,845	\$292	\$4,240	\$34,320	\$31,735	standard	\$5,565	\$9,202	
S T # # # 4 2 0 8 4	504	453	\$17,373	\$390	\$4,240	\$34,480	\$31,795	standard	\$5,774	\$9,994	
S T # # # 4 2 0 9 3	558	505	\$17,917	\$488	\$4,240	\$34,513	\$31,893	standard	\$6,330	\$10,573	
S T # # # 4 2 1 0 5	630	575	\$18,760	\$587	\$4,240	\$34,652	\$31,982	standard	\$7,235	\$11,174	
S T # # # 4 2 1 1 7	702	645	\$19,480	\$684	\$4,240	\$34,913	\$32,191	standard	\$7,860	\$11,417	
S T # # # 4 2 1 2 9	774	720	\$20,313	\$782	\$4,240	\$35,060	\$32,294	standard	\$8,626	\$11,484	
S T # # # 4 2 1 3 9	846	790	\$21,071	\$880	\$4,240	\$35,286	\$32,470	standard	\$9,251	\$11,590	
S T # # # 4 8 0 7 3	572	500	\$20,949	\$196	\$5,794	\$30,713	\$28,130	standard	\$5,774	\$10,597	
S T # # # 4 8 0 8 4	658	580	\$22,366	\$210	\$5,794	\$32,208	\$29,478	standard	\$6,609	\$11,656	
S T # # # 4 8 0 9 6	752	675	\$24,360	\$227	\$5,794	\$33,389	\$30,502	standard	\$7,443	\$12,822	
S T # # # 4 8 1 0 8	846	765	\$25,993	\$242	\$5,794	\$34,934	\$31,886	standard	\$8,346	\$14,103	
S T # # # 4 8 1 1 6	909	836	\$27,308	\$254	\$5,794	\$36,794	\$33,592	standard	\$8,973	\$15,514	
S T # # # 4 8 1 2 0	940	860	\$28,625	\$268	\$5,794	\$41,033	\$37,551	standard	\$9,181	\$17,066	
S T # # # 4 8 1 4 1	1128	1040	\$32,013	\$300	\$5,794	\$44,025	\$40,224	standard	\$10,712	\$18,772	
S T # # # 4 8 1 6 8	1306	1225	\$35,678	\$332	\$5,794	*	*	standard	\$12,729	N/A	
S T # # # 5 4 0 9 9	981	875	\$37,495	\$349	\$10,632	*	*	standard	\$8,626	\$19,779	
S T # # # 5 4 1 1 3	1119	1000	\$39,387	\$366	\$10,632	*	*	standard	\$9,599	\$22,109	
S T # # # 5 4 1 2 3	1219	1110	\$41,276	\$386	\$10,632	*	*	standard	\$10,573	\$24,542	
S T # # # 5 4 1 3 4	1327	1200	\$45,408	\$423	\$10,632	*	*	standard	\$11,756	\$28,305	
S T # # # 5 4 1 4 7	1457	1340	\$46,455	\$434	\$10,632	*	*	standard	\$12,590	N/A	
S T # # # 5 4 1 5 6	1545	1442	\$47,135	\$440	\$10,632	*	*	standard	\$13,008	N/A	
S T # # # 5 4 1 6 0	1585	1481	\$47,817	\$445	\$10,632	*	*	standard	\$13,494	N/A	
S T # # # 5 4 1 6 5	1635	1500	\$49,100	\$457	\$10,632	*	*	standard	\$13,981	N/A	
S T # # # 5 4 1 8 3	1814	1690	\$51,958	\$484	\$10,632	*	*	standard	\$15,512	N/A	

* Contact Factory

** 30-36" epoxy-lined tanks include manway

Model character 3:

V for vertical

H for horizontal (saddles must be added, and are not included in the tank price - see options page)

Model character 4:

G for carbon steel glass-lined (standard)

E for carbon steel epoxy-lined

D for carbon steel double-glass-lined

2 for duplex stainless steel

3 for 316L stainless steel

N for unlined carbon steel (priced upon request)

Model character 5:

B for bare tank (standard)

I for insulating topcoat

J for insulated steel jacket

Large Volume Storage Tank Pricing - Effective July 18, 2022

Model ST

List Pricing

Model	Nom. Gal.	Act. Gal.	Model Character 4					Model Character 5		
			"G" Standard Glass Lined List Price	"E" Epoxy Lined Adder	"D" Double Glass Lined Adder	"2" Duplex Stainless Adder	"3" 316L Stainless Adder	"B" Bare Rex Oxide Paint	"I" Insulating Topcoat Adder	"J" Insulation and Jacket Adder
S T # # # 6 0 0 9 6	1174	1000	\$47,939	\$447	\$12,914	*	*	standard	\$10,365	\$25,572
S T # # # 6 0 1 1 4	1395	1245	\$53,520	\$498	\$12,914	*	*	standard	\$10,921	\$26,118
S T # # # 6 0 1 2 8	1565	1430	\$56,319	\$525	\$12,914	*	*	standard	\$12,034	\$27,516
S T # # # 6 0 1 3 8	1689	1530	\$59,118	\$551	\$12,914	*	*	standard	\$13,147	\$29,002
S T # # # 6 0 1 6 8	1983	1820	\$64,123	\$598	\$12,914	*	*	standard	\$15,859	N/A
S T # # # 6 0 1 7 7	2165	2000	\$67,203	\$625	\$12,914	*	*	standard	\$17,041	N/A
S T # # # 6 0 1 8 6	2276	2105	\$70,283	\$654	\$12,914	*	*	standard	\$17,528	N/A
S T # # # 6 0 2 1 0	2570	2395	\$75,737	\$705	\$12,914	*	*	standard	\$19,684	N/A
S T # # # 7 2 0 9 4	1655	1433	\$57,651	\$537	\$18,348	*	*	standard	\$12,104	\$30,531
S T # # # 7 2 1 0 0	1761	1538	\$58,272	\$543	\$18,348	*	*	standard	\$12,310	\$31,233
S T # # # 7 2 1 1 7	2061	1800	\$63,652	\$593	\$18,348	*	*	standard	\$14,190	\$31,932
S T # # # 7 2 1 2 0	2115	1865	\$64,380	\$599	\$18,348	*	*	standard	\$14,779	\$32,604
S T # # # 7 2 1 2 8	2256	2000	\$65,073	\$607	\$18,348	*	*	standard	\$15,372	\$33,331
S T # # # 7 2 1 4 4	2538	2285	\$70,559	\$656	\$18,348	*	*	standard	\$16,415	N/A
S T # # # 7 2 1 5 7	2765	2500	\$74,753	\$697	\$18,348	*	*	standard	\$18,502	N/A
S T # # # 7 2 1 6 8	2959	2727	\$77,096	\$718	\$18,348	*	*	standard	\$19,060	N/A
S T # # # 7 2 1 9 2	3382	3147	\$85,517	\$796	\$18,348	*	*	standard	\$21,632	N/A
S T # # # 7 2 2 1 6	3805	3567	\$91,444	\$852	\$18,348	*	*	standard	\$24,275	N/A
S T # # # 7 2 2 5 0	4404	4162	\$100,070	\$932	\$18,348	*	*	standard	\$27,962	N/A
S T # # # 8 4 1 2 1	2901	2500	\$87,727	\$817	\$21,819	*	*	standard	\$17,181	*
S T # # # 8 4 1 3 8	3308	2915	\$96,630	\$900	\$21,819	*	*	standard	\$18,363	*
S T # # # 8 4 1 6 2	3884	3480	\$107,926	\$1,004	\$21,819	*	*	standard	\$21,424	N/A
S T # # # 8 4 1 8 6	4459	4045	\$115,839	\$1,078	\$21,819	*	*	standard	\$24,484	N/A
S T # # # 8 4 2 1 0	5038	4610	\$125,034	\$1,163	\$21,819	*	*	standard	\$27,544	N/A
S T # # # 8 4 2 5 6	6138	5695	\$141,914	\$1,320	\$21,819	*	*	standard	\$33,387	N/A

* Contact Factory

Model character 3:

V for vertical

H for horizontal (saddles must be added, and are not included in the tank price - see options page)

Model character 4:

G for carbon steel glass-lined (standard)

E for carbon steel epoxy-lined

D for carbon steel double-glass-lined

2 for duplex stainless steel

3 for 316L stainless steel

N for unlined carbon steel (priced upon request)

Model character 5:

B for bare tank (standard)

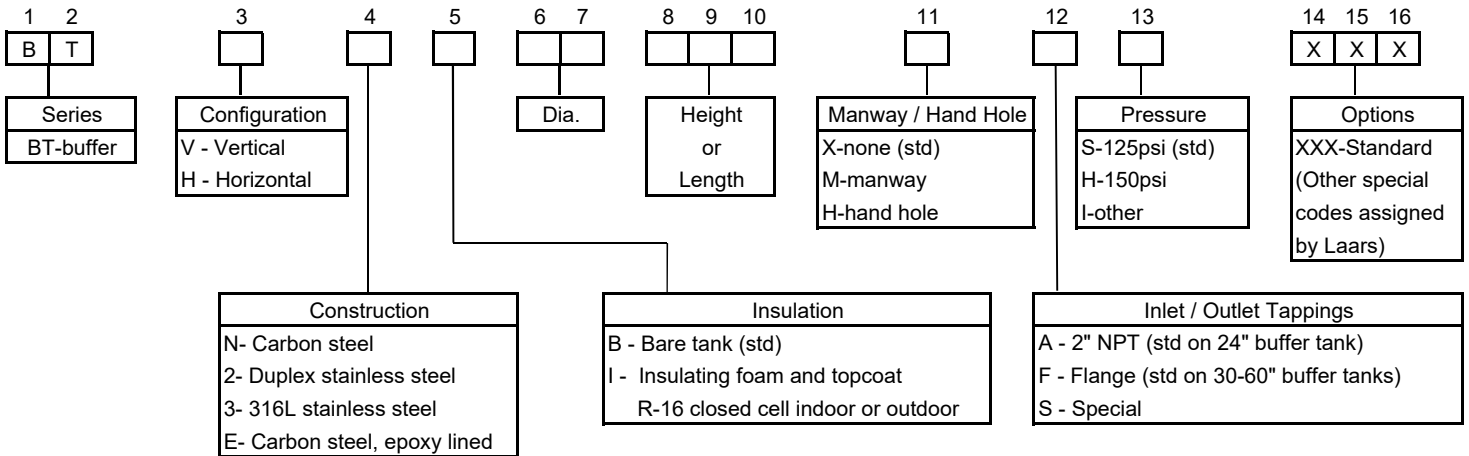
I for insulating topcoat

J for insulated steel jacket

Chilled Water Buffer Tank Pricing - Effective July 18, 2022

Model BT

Model Nomenclature

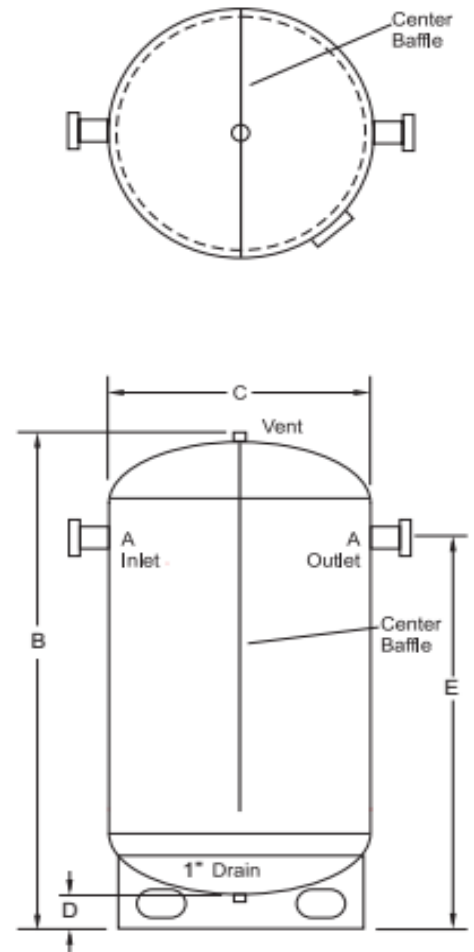


NOTES:

1. Standard tank is vertical, built less manway or hand hole, with base ring, 125 psi.
2. Manways are not required on chilled water buffer tanks.
3. Tanks are certified ASME Section VIII, Div 1 Code.
4. Optional foam and topcoat has R-16 value.
5. Vertical tanks are welded into 4" or 6" base ring.
6. Vertical tanks are supplied with center baffle.

7. Add saddles to horizontal tanks. See "Tank Options" page.
8. Custom sizes/materials may be available upon request.
9. Warranties:
 - Carbon steel carries a 1-year limited tank warranty.
 - Duplex construction carries a 25-year limited tank warranty.
 - 316L construction carries a 10-year limited tank warranty.

Carbon Steel Unlined Model			Capacity Gallons	A	B in.	C in.	D in.	E in.	Weight lbs
B T #	2 4	0 7 2	130	2" NPT	76	24	4	63.63	375
B T #	3 0	0 7 5	210	3" FLG	79	30	4	63.38	425
B T #	3 6	0 7 2	300	4" FLG	76	36	4	59.75	633
B T #	3 6	0 9 0	360	4" FLG	94	36	4	77.75	715
B T #	4 2	0 7 2	380	4" FLG	76	42	4	58.25	1250
B T #	4 2	0 8 4	460	4" FLG	88	42	4	70.25	1250
B T #	4 2	0 9 0	500	4" FLG	94	42	4	76.25	1300
B T #	4 2	1 0 0	550	4" FLG	104	42	4	85.00	1425
B T #	4 8	0 7 3	500	6" FLG	77	48	4	56.25	1150
B T #	4 8	0 8 4	588	6" FLG	88	48	4	64.50	1425
B T #	4 8	0 9 6	675	6" FLG	100	48	4	79.25	1885
B T #	4 8	1 4 1	1000	6" FLG	145	48	4	124.25	1957
B T #	5 4	0 9 6	850	6" FLG	102	54	6	79.63	1630
B T #	5 4	1 4 7	1350	6" FLG	153	54	6	132.00	2800
B T #	5 4	1 6 5	1530	8" FLG	171	54	6	147.50	3100
B T #	6 0	0 9 6	1040	8" FLG	102	60	6	76.75	2280
B T #	6 0	1 3 5	1500	8" FLG	141	60	6	114.00	3375
B T #	6 0	1 7 7	2000	8" FLG	183	60	6	155.00	4225



Chilled Water Buffer Tank Pricing - Effective July 18, 2022

Model BT

List Prices

Model	Capacity Gallons	Standard Bare Tank List Price	Model Character 4				Model Character 5	
			" N " Carbon Steel	" 2 " Duplex Stainless Adder	" 3 " 316L Stainless Adder	" E " Epoxy Lined Adder	" B " Bare Red Oxide Paint	" I " Insulating Topcoat Adder
B T # # # 2 4 0 7 2	130	\$6,843	standard	*	*	\$5,506	standard	\$2,783
B T # # # 3 0 0 7 5	210	\$8,778	standard	\$13,413	\$11,589	\$6,748	standard	\$3,688
B T # # # 3 6 0 7 2	300	\$11,618	standard	\$16,063	\$14,222	\$7,258	standard	\$4,174
B T # # # 3 6 0 9 0	400	\$13,027	standard	\$18,725	\$16,374	\$8,573	standard	\$5,217
B T # # # 4 2 0 7 2	394	\$12,505	standard	\$41,261	\$37,510	\$8,261	standard	\$4,898
B T # # # 4 2 0 8 4	460	\$16,455	standard	\$46,075	\$41,441	\$9,305	standard	\$5,774
B T # # # 4 2 0 9 0	500	\$16,823	standard	\$46,595	\$41,896	\$9,513	standard	\$6,330
B T # # # 4 2 1 0 0	550	\$17,750	standard	\$46,857	\$42,071	\$9,753	standard	\$7,235
B T # # # 4 8 0 7 3	528	\$17,193	standard	\$42,924	\$38,471	\$9,354	standard	\$5,774
B T # # # 4 8 0 8 4	588	\$17,656	standard	\$43,434	\$38,906	\$9,972	standard	\$6,609
B T # # # 4 8 0 9 6	700	\$18,451	standard	\$45,166	\$40,455	\$11,873	standard	\$7,443
B T # # # 4 8 1 4 1	1000	\$27,269	standard	\$56,494	\$50,291	\$15,566	standard	\$10,712
B T # # # 5 4 0 9 6	850	\$35,146	standard	*	*	\$12,204	standard	\$8,626
B T # # # 5 4 1 4 7	1350	\$51,882	standard	*	*	\$17,935	standard	\$12,590
B T # # # 5 4 1 6 5	1530	\$55,825	standard	*	*	\$19,751	standard	\$13,981
B T # # # 6 0 0 9 6	1040	\$50,137	standard	*	*	\$13,448	standard	\$10,365
B T # # # 6 0 1 3 5	1500	\$61,302	standard	*	*	\$18,278	standard	\$13,147
B T # # # 6 0 1 7 7	2000	\$68,781	standard	*	*	\$23,499	standard	\$17,041

* Contact Factory

Model character 3:

V for vertical

H for horizontal (saddles must be added, and are not included in the tank price - see options page)

Model character 4:

N for unlined carbon steel (standard)

2 for duplex stainless steel

3 for 316L stainless steel

E for carbon steel epoxy-lined

Model character 5:

B for bare tank (standard)

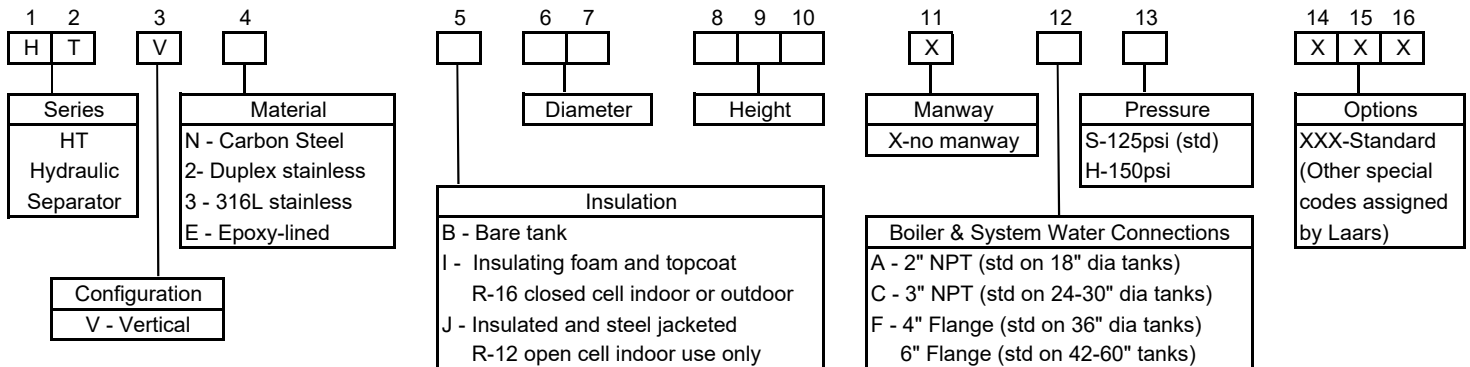
I for insulating topcoat

Note - Manways are not required on chilled water buffer tanks, and are not included in the standard BT tank price.

Hydraulic Separator / Hot Water Buffer Tank Pricing - Effective July 18, 2022

Model HT

Model Nomenclature



NOTES:

- Standard tank is unlined carbon steel, vertical, 125 psi, bare, with base ring, and 5-year limited tank warranty.
- 316L construction carries a 10-year limited tank warranty. Duplex construction carries a 25-year limited tank warranty.

List Pricing

Model	Capacity	# - Model Character 4				# - Model Character 5		
		"N" Standard Bare Tank	"2" Duplex Stainless	"3" 316L Stainless	"E" Epoxy Lined	"B" Standard Bare Tank	"I" Insulating Foam & Topcoat	"J" Insulated Steel Jacket
		List Price	Adder	Adder	Adder	Adder	Adder	Adder
HTVN # -18-041	40 gallon	\$6,501	*	*	*	\$0	\$2,129	N/A
HTVN # -24-045	80 gallon	\$7,229	*	*	*	\$0	\$2,435	N/A
HTVN # -30-045	120 gallon	\$7,948	\$17,566	\$15,818	*	\$0	\$2,783	\$5,333
HTVN # -30-075	210 gallon	\$8,258	\$18,226	\$16,401	\$6,749	\$0	\$3,688	\$5,704
HTVN # -36-072	285 gallon	\$12,537	\$19,044	\$17,205	\$7,259	\$0	\$4,174	\$6,815
HTVN # -42-072	385 gallon	\$15,259	\$47,046	\$43,295	\$8,262	\$0	\$4,898	\$8,098
HTVN # -42-084	453 gallon	\$17,035	\$51,740	\$47,106	\$9,305	\$0	\$5,774	\$9,994
HTVN # -48-096	675 gallon	\$26,416	\$49,115	\$44,405	\$11,873	\$0	\$7,443	\$12,822
HTVN # -48-120	860 gallon	\$31,810	\$59,172	\$53,445	*	\$0	\$9,181	\$17,066
HTVN # -60-096	1000 gallon	\$49,498	\$92,070	\$83,161	\$13,479	\$0	\$10,365	\$25,572

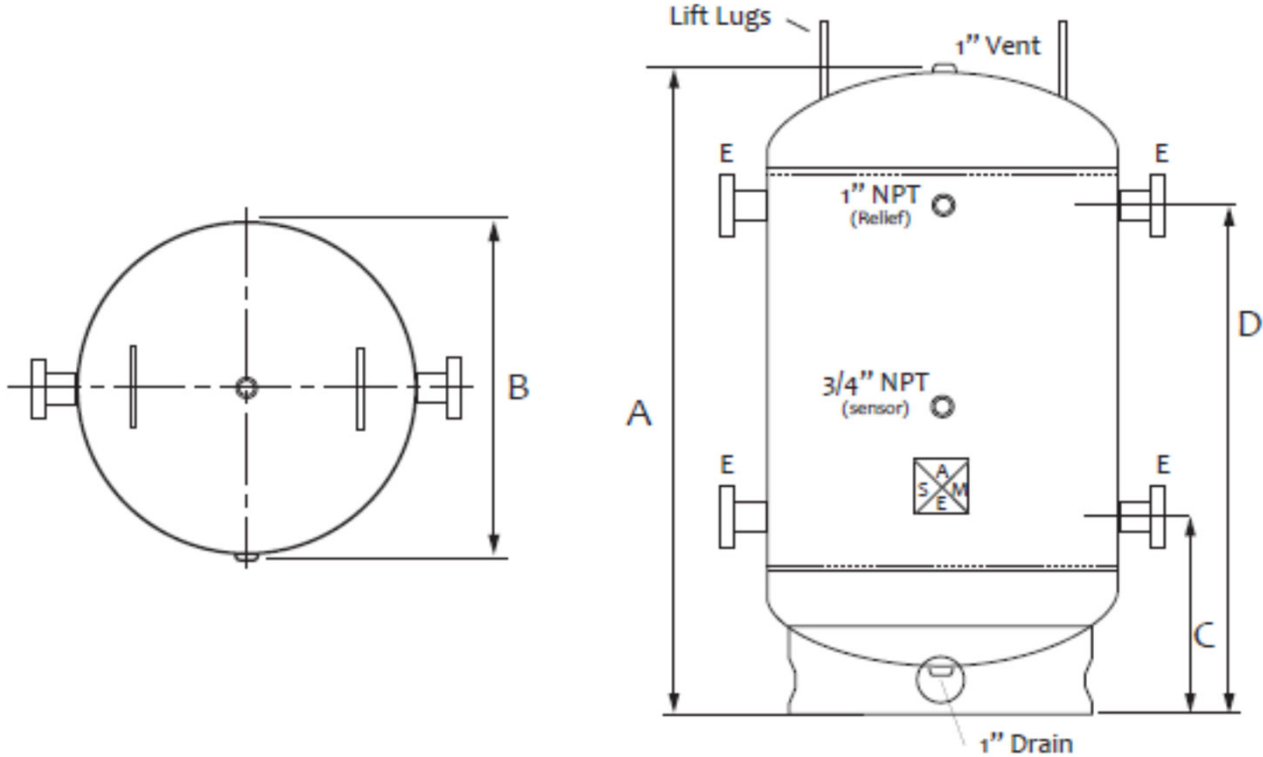
*Contact Factory

Hydraulic Separator / Hot Water Buffer Tank Pricing - Effective July 18, 2022

Model HT

Dimensions

"A" in.	"B" in.	"C" in.	"D" in.	"E" Fitting Size/Style	Weight lbs
45	18	14 ¼	33 ¾	2" NPT	250
49	24	16 ¾	36 ¼	3" NPT	286
49	30	16 ¾	36 ¼	3" NPT	310
79	30	16 ¾	62 ¼	3" NPT	475
76	36	24 ½	55 ½	4" flange	760
76	42	27	53	6" flange	1080
88	42	27	64	6" flange	1350
100	48	29	75	6" flange	1790
124	48	29	99	6" flange	1925
102	60	31 ¼	76 ¾	6" flange	2140



Notes:

1. Stainless steel models are priced upon request
2. Manways are not required on closed loop systems.
Refer to options pricing if manway is desired.

Options for Model ST, BT, HT & XT Pricing - Effective July 18, 2022

Openings and Flanges

Flange Size	Carbon Steel Tank Add to List Price / each	Stainless Steel Tank Add to List Price / each
Non ASME Fab Flange	N/A	6285
4" & smaller flange	\$773	\$1,803
6" flange	\$991	\$2,531
8" flange	\$1,610	\$3,597
10" flange	\$2,521	\$4,512
12" flange	\$3,183	\$5,857
14" flange	\$3,778	\$6,753
Manway (12" x 16")*	\$1,998	\$11,015
Handhole (4" x 6")	\$911	N/A

* Manways are included on ST dia. 42" and larger

* Manways are required on epoxy-lined tanks

150psi Tank Pressure Rating

(Contact factory for higher pressure ratings)

Tank Dia.	Carbon Steel Tank Add to List Price	Stainless Steel Tank Add to List Price
30" to 36"	\$1,924	\$2,470
42" to 48"	\$2,603	\$3,150
54"	\$4,686	\$5,232
60"	\$5,774	\$6,319
72"	\$6,893	Contact Factory
84"	\$8,122	Contact Factory

To Add NPT Fittings

(or change the size of standard fittings)

Fitting Size	Carbon Steel Tank Add to List Price / each	Stainless Steel Tank Add to List Price / each
3/4" NPT	\$270	\$309
1" NPT	\$278	\$318
1-1/4" NPT	\$283	\$361
1-1/2" NPT	\$406	\$670
2" NPT	\$419	\$841
2-1/2" NPT	\$464	\$1,011
3" NPT	\$521	\$2,239
4" NPT	\$861	\$2,624

Saddles for Horizontal Tanks

Saddles are mandatory for horizontal tanks,

and are not included in the tank price.

- Saddles are welded to tanks.
- Saddles lift the tank 9" from the ground.
- 12" and 15" saddles are available - contact factory for price

Tank Dia.	Carbon Steel Tank Add to List Price (Price is per pair)	Stainless Steel Tank Add to List Price (Price is per pair)
36" & smaller	\$998	\$1,331
42" to 54"	\$2,433	\$3,171
60" to 80"	\$4,418	\$5,758

To Add Grooved / MNPT Fittings

(or change the size of standard fittings)

Fitting Size	Carbon Steel Tank Add to List Price / each	Stainless Steel Tank Add to List Price / each
4" and under	\$696	\$1,623
6"	\$892	\$2,279
8"	\$1,450	\$3,238
10"	\$2,268	\$4,060
12"	\$2,864	\$5,272
14"	\$3,403	\$6,080

Miscellaneous

Description	Carbon Steel Tank Add to List Price / each	Stainless Steel Tank Add to List Price / each
Alternate 6" Ring Base	\$795	N/A
Alternate 12" Ring Base	\$969	N/A
Diverter Tube 3" ¹	\$599	N/A
Diverter Tube 2" ¹	\$599	N/A
Lift Lug Access/Extra ²	\$266	\$534
Seismic Anchor Calc ³	\$732	\$876

Notes:

1. For ST tanks only, shipped loose.
2. Jacketed and insulated tanks only.
3. Inhouse calculation only. For questions about tanks built with options, or for questions about the calculations, contact the factory.

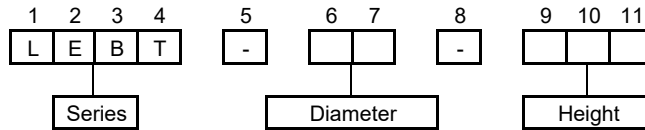
Expansion Bladder Tank (Small) Pricing - Effective July 18, 2022

Model LEBT

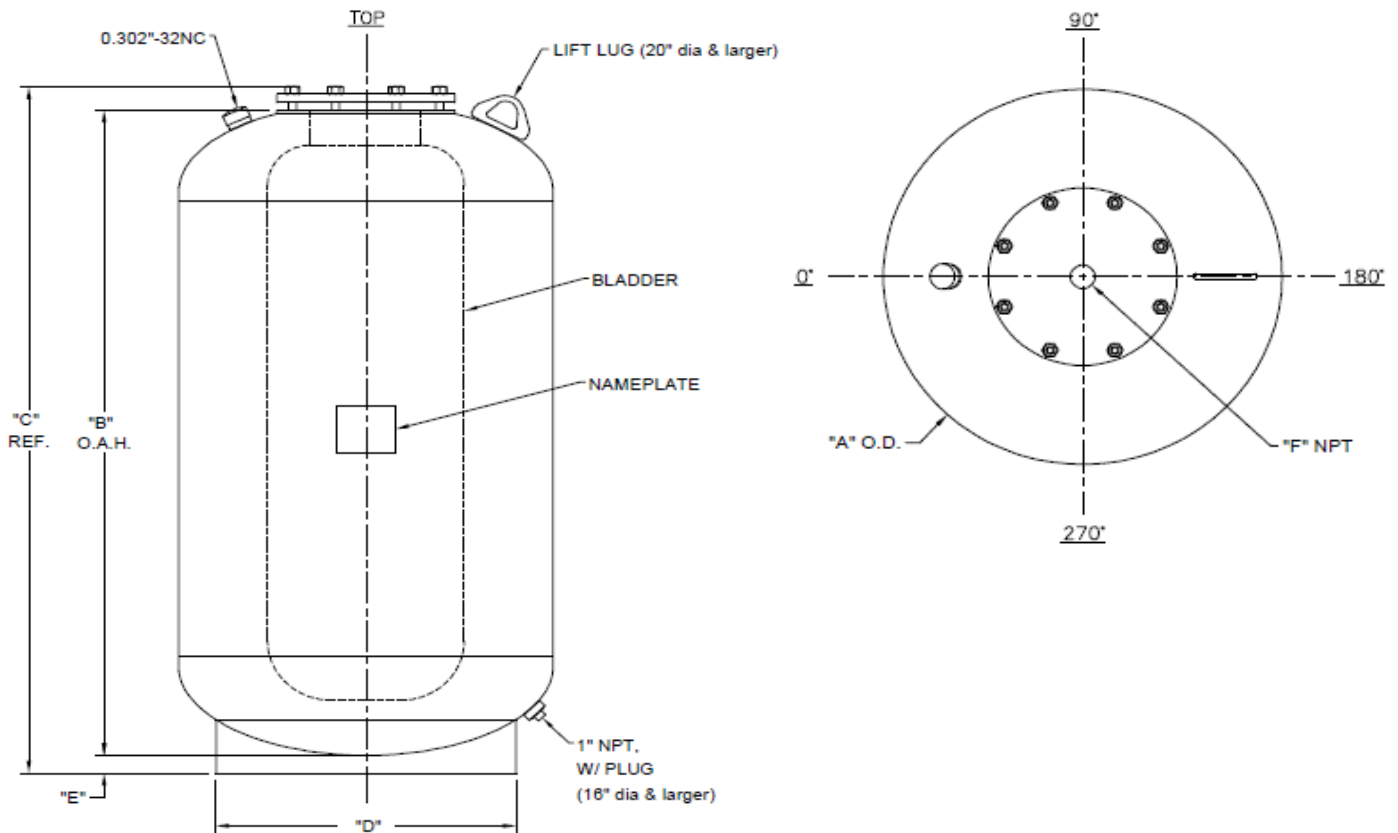
Standard Features

- ASME Code Sec VIII Div 1
- 125 psi design pressure
- 12 psi factory charge
- 240°F maximum temperature
- Heavy duty butyl rubber bladder
- Carbon steel heads, shell and couplings
- Standard 1-year warranty

Model Nomenclature



Dimensions and List Pricing



Carbon Steel Model	Capacity gallons	(A) Diameter inches	(B) Tank Height inches	(C) (ref) Overall Height inches	(D) Ring Diameter inches	(E) Ring Height inches	(F) Top Tapping NPT	List Price
LEBT-12-027	11	12-3/4	24.19	26.63	10	1.0	3/4	\$3,108
LEBT-14-026	15	14	26.00	28.25	10	0.8	3/4	\$3,378
LEBT-16-032	25	16	29.13	32.50	11	1.5	1	\$3,689
LEBT-16-048	39	16	45.44	48.81	11	1.5	1	\$3,800
LEBT-20-048	58	20	48.13	51.50	16	1.5	1-1/2	\$4,518
LEBT-24-050	85	24	47.75	51.13	20	1.5	1-1/2	\$5,067
LEBT-24-057	104	24	54.13	57.63	20	1.5	1-1/2	\$5,076
LEBT-30-053	147	30	52.38	55.88	24	1.5	1-1/2	\$5,538
LEBT-30-058	158	30	54.88	58.38	24	1.5	1-1/2	\$7,481

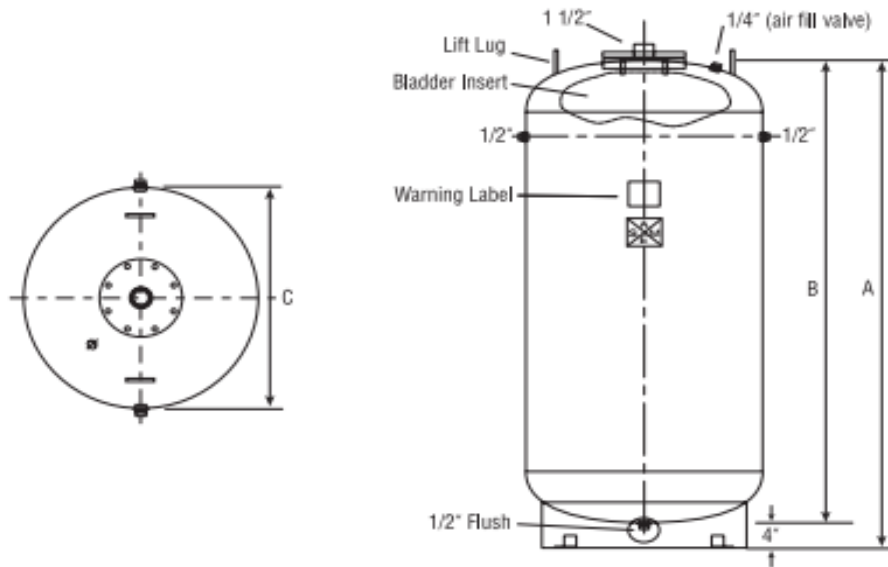
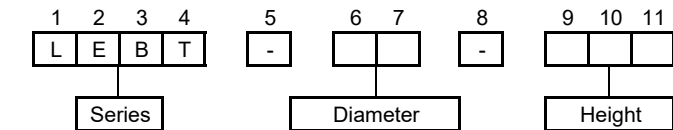
Expansion Bladder Tank (Large) Pricing - Effective July 18, 2022

Model LEBT

Standard Features

- | | | |
|--|--|--|
| <ul style="list-style-type: none"> • ASME Code Sec VIII Div 1 • NSF 61 bladder for potable water • 125 psi design pressure • 12 psi factory charge • 240°F maximum temperature • 4" skirt tank support | <ul style="list-style-type: none"> • Heavy duty butyl rubber replaceable bladder • Large flanged opening for easy bag replacement • Carbon steel heads, shell and couplings • Standard 1-year warranty | <p>Optional stainless steel construction:</p> <ul style="list-style-type: none"> • 316L tanks carry a limited 10-year tank warranty • Duplex tanks carry a limited 25-year tank warranty |
|--|--|--|

Model Nomenclature



Optional Construction
A- Carbon steel & 150 psi
B- Carbon steel & foam with topcoat
C- Carbon steel, 150 psi, & foam with topcoat
2- Duplex stainless steel
D- Duplex stainless steel & 150 psi
E- Duplex stainless steel & foam with topcoat
F- Duplex stainless steel, 150 psi, & foam / topcoat
3- 316L stainless steel
G- 316L stainless steel & 150 psi
H- 316L stainless steel & foam with topcoat
J- 316L stainless steel, 150psi, & foam / topcoat

* Characters 12 and 13 are used for optional construction only.

Dimensions and List Pricing

Carbon Steel Model	Capacity gallons	(A) Overall Height inches	(B) Tank Height inches	Diameter inches	Weight lbs	Carbon Steel Bare Tank List Price	Carbon Steel with Foam/Topcoat* Adder	150 psi* Adder
LEBT-30-063	175	67	63	30	340	\$9,198	\$3,131	\$2,470
LEBT-30-075	210	79	75	30	387	\$9,563	\$3,688	\$2,470
LEBT-30-085	240	89	85	30	520	\$9,773	\$4,174	\$2,470
LEBT-36-072	285	76	72	36	550	\$10,998	\$4,174	\$2,470
LEBT-36-078	310	82	78	36	588	\$11,144	\$4,591	\$2,470
LEBT-36-085	340	89	85	36	633	\$11,545	\$5,009	\$2,470
LEBT-36-090	360	94	90	36	664	\$11,671	\$5,217	\$2,470
LEBT-42-081	435	85	81	42	873	\$14,748	\$5,565	\$3,150
LEBT-42-084	453	88	84	42	905	\$14,864	\$5,774	\$3,150
LEBT-42-093	505	97	93	42	973	\$15,169	\$6,330	\$3,150
LEBT-48-073	500	77	73	48	1038	\$17,012	\$5,774	\$3,150
LEBT-48-096	675	100	96	48	1298	\$18,342	\$7,443	\$3,150
LEBT-48-108	765	112	108	48	1433	\$19,727	\$8,346	\$3,150
LEBT-48-120	860	124	120	48	1567	\$20,445	\$9,181	\$3,150
LEBT-48-141	1040	145	141	48	1805	\$22,494	\$10,712	\$3,150

* Add appropriate 13th character to model number.

Stainless steel models are priced upon request.

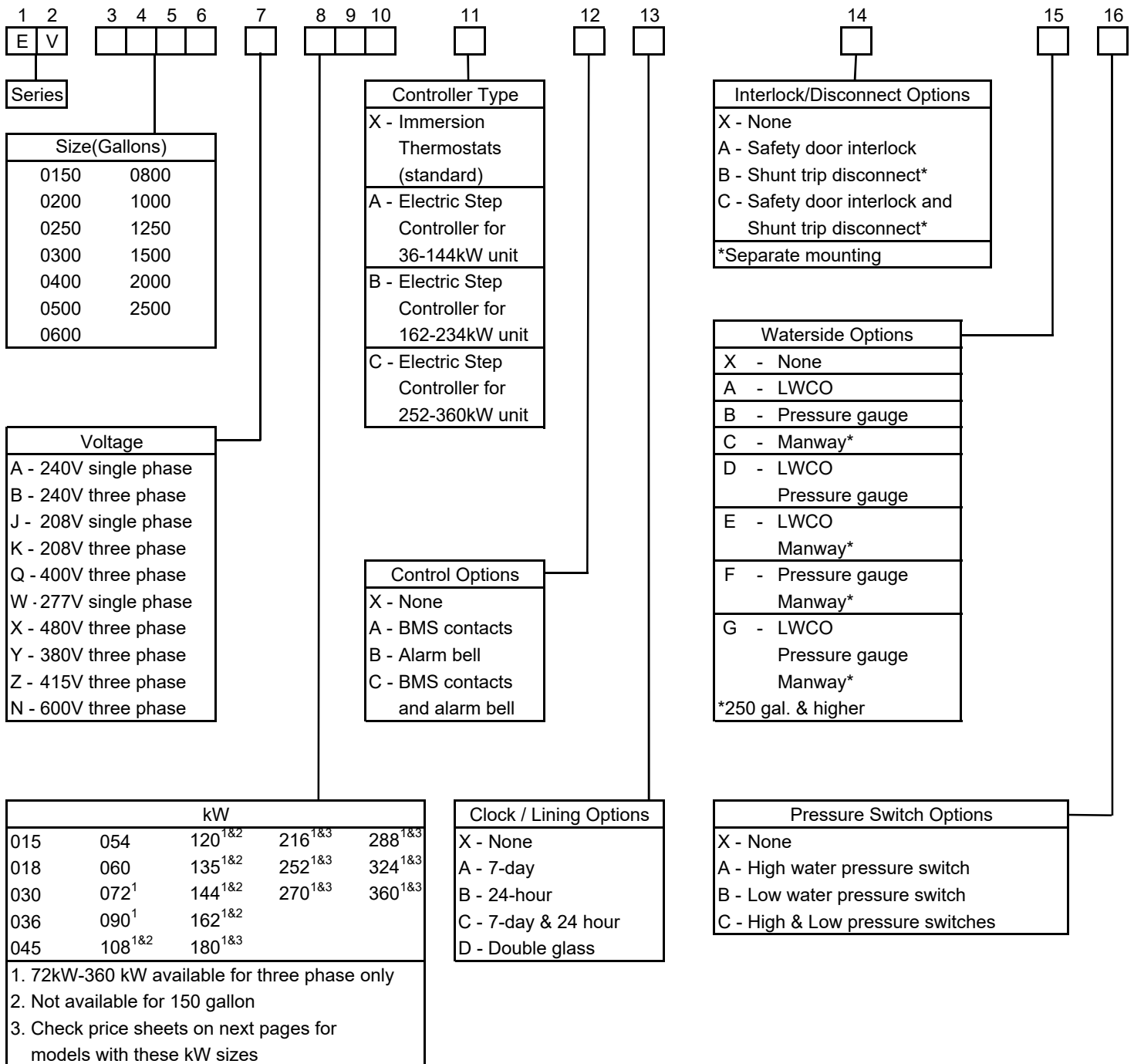
Commercial Electric Water Heater Pricing - Effective July 18, 2022

Model EV

Standard Features

- 150 psi ASME code construction
- Approved for 180°F operation
- Glass-lined
- ASME temperature and pressure relief valve
- Internal fusing (above 120A)
- Magnetic contactors
- CSA Low lead certified
- Incoloy heating elements
- Painted steel jacket
- Insulation meets requirements of ASHRAE 90.1b
- Magnesium anode rods
- Immersion thermostats
- Digital temperature display
- Manual reset high limit
- Terminal block connections
- Channel iron skid base
- Hinged door with keyed lock
- Lifting lug access
- 3-year limited warranty with standard glass lining
- 6-year limited warranty with optional double glass lining
- Stainless steel options available

Model Nomenclature

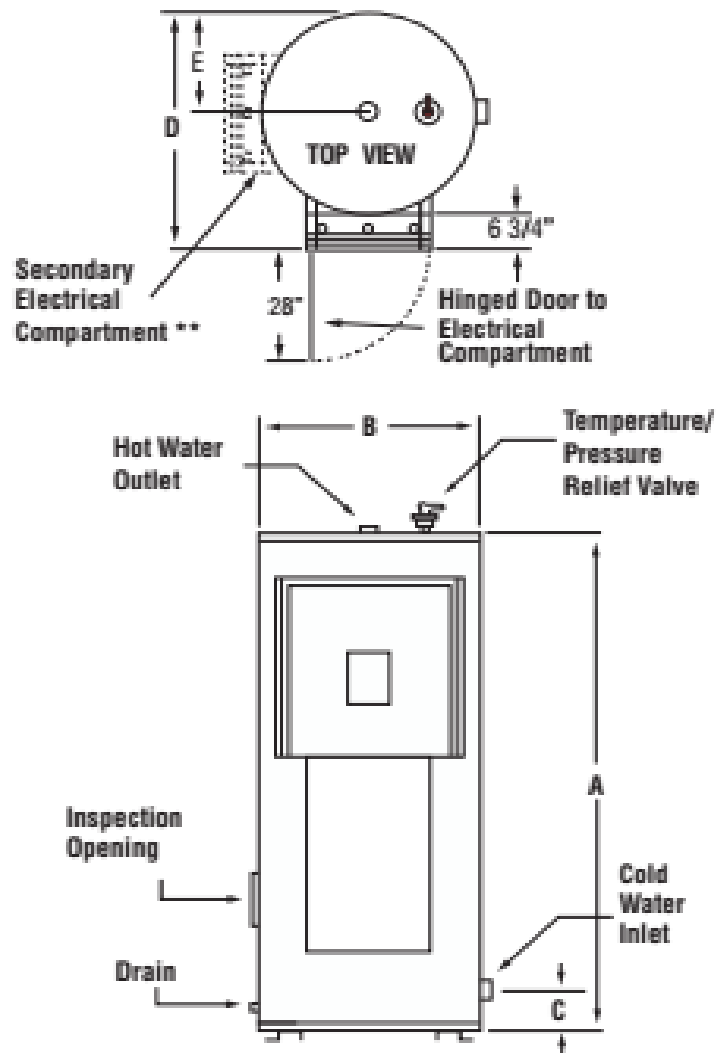


Commercial Electric Water Heater Pricing - Effective July 18, 2022

Model EV

Dimensions

Model	Gallons	Max kW	A Floor to Heater Top	B Jacket Dia.	C Floor to Cold Water Inlet	D Depth	E Back of Heater to Hot Water Out	Water Connection	Approx. Ship Weight lbs
EV0150	150	90	67-1/2"	32"	7-3/4"	38-3/4"	16"	1-1/2" NPT	650
EV0200	200	162	80"	32"	7-3/4"	38-3/4"	17"	1-1/2" NPT	750
EV0250	250	162	92"	34"	19-1/2"	40-3/4"	17"	1-1/2" NPT	1165
EV0300	300	162	80"	40"	21"	40-3/4"	20"	2" NPT	1350
EV0400	400	162	80"	46"	22-1/2"	52-3/4"	23"	2" NPT	1590
EV0500	500	162	92"	46"	22-1/2"	52-3/4"	23"	2" NPT	1700
EV0600	600	216	92"	52"	24-1/2"	58-3/4"	26"	2-1/2" NPT	2010
EV0800	800	270	104"	52"	24-1/2"	58-3/4"	26"	2-1/2" NPT	2450
EV1000	1000	360	128"	52"	24-1/2"	58-3/4"	26"	2-1/2" NPT	3160
EV1250	1250	360	133"	58"	26"	64-3/4"	29"	3"	3792
EV1500	1500	360	129"	64"	27-1/2"	70-3/4"	32"	3"	4550
EV2000	2000	360	140"	70"	29-1/2"	76-3/4"	35"	3"	5460
EV2500	2500	360	144"	76"	30-1/2"	82-3/4"	38"	3"	6553



Commercial Electric Water Heater Pricing - Effective July 18, 2022

Model EV

List Pricing

208V, 240V, 277V Single or Three Phase*													
Gallons													
Wattage	150	200	250	300	400	500	600	800	1000	1250	1500	2000	2500
15kW	\$19,185	\$20,087	\$20,691	\$22,093	\$27,968	\$32,260	\$35,834	\$41,698	\$46,816	\$64,932	\$76,363	\$87,338	\$105,714
18kW	\$19,353	\$20,252	\$20,857	\$22,262	\$28,134	\$32,427	\$36,003	\$41,860	\$46,987	\$64,932	\$76,363	\$87,338	\$105,714
30kW	\$19,860	\$20,717	\$21,389	\$22,703	\$28,593	\$32,899	\$36,450	\$42,331	\$47,444	\$65,623	\$77,054	\$88,083	\$106,404
36kW	\$20,296	\$21,106	\$22,007	\$23,059	\$28,882	\$33,142	\$36,703	\$42,552	\$47,685	\$66,313	\$77,748	\$88,831	\$107,093
45kW	\$21,566	\$22,867	\$23,821	\$24,830	\$30,428	\$34,407	\$37,742	\$43,143	\$48,233	\$67,274	\$78,964	\$90,048	\$108,310
54kW	\$22,873	\$24,184	\$25,135	\$26,142	\$31,737	\$35,712	\$39,050	\$44,466	\$49,432	\$68,235	\$80,180	\$91,266	\$109,527
60kW	\$23,068	\$24,370	\$25,323	\$26,331	\$31,930	\$35,911	\$39,245	\$45,291	\$50,196	\$69,196	\$81,397	\$92,481	\$110,743
72kW*	\$24,007	\$25,461	\$26,269	\$27,275	\$32,873	\$36,819	\$40,006	\$46,062	\$50,961	\$70,158	\$82,615	\$93,697	\$111,960
90kW*	\$25,094	\$26,550	\$27,447	\$28,378	\$33,905	\$37,895	\$40,818	\$46,773	\$52,790	\$73,681	\$86,137	\$97,220	\$116,199
108kW*	N/A	\$28,378	\$29,113	\$30,211	\$35,717	\$40,468	\$42,566	\$48,115	\$54,021	\$82,214	\$94,670	\$105,753	\$121,581
120kW*	N/A	\$28,619	\$29,355	\$30,430	\$35,946	\$40,805	\$42,792	\$48,358	\$54,245	\$83,505	\$96,283	\$107,553	\$124,835
135kW*	N/A	\$28,925	\$29,718	\$31,031	\$36,318	\$41,531	\$43,158	\$48,614	\$54,485	\$84,798	\$97,895	\$109,355	\$125,651
144kW*	N/A	\$29,478	\$30,191	\$31,268	\$36,876	\$42,277	\$43,289	\$48,862	\$54,719	\$86,093	\$99,510	\$111,159	\$126,470
162kW*	N/A	\$32,183	\$32,739	\$33,644	\$39,361	\$44,096	\$46,534	\$51,802	\$57,627	\$89,045	\$101,759	\$113,570	\$129,698
180kW*	N/A	N/A	N/A	N/A	\$41,724	\$46,740	\$54,475	\$61,602	\$67,315	\$92,000	\$104,006	\$115,984	\$132,927
216kW*	N/A	N/A	N/A	N/A	\$44,227	\$49,545	\$58,687	\$65,557	\$71,628	\$96,811	\$109,267	\$120,350	\$138,611
252kW*	N/A	N/A	N/A	N/A	N/A	N/A	N/A	\$70,142	\$76,868	\$103,061	\$114,668	\$125,575	\$143,470
270kW*	N/A	N/A	N/A	N/A	N/A	N/A	N/A	\$71,291	\$78,591	\$104,519	\$117,387	\$127,961	\$146,122
288kW*	N/A	N/A	N/A	N/A	N/A	N/A	N/A	N/A	\$80,178	\$105,975	\$120,094	\$130,350	\$148,776
324kW*	N/A	N/A	N/A	N/A	N/A	N/A	N/A	N/A	\$85,133	\$111,408	\$123,859	\$134,944	\$153,208
360kW*	N/A	N/A	N/A	N/A	N/A	N/A	N/A	N/A	N/A	\$115,294	\$127,713	\$141,543	\$159,036

*72kW and higher available with three phase voltage only.

Stainless steel models are priced upon request

308V, 400V, 415V, 480V, 600V Single or Three Phase*													
Gallons													
Wattage	150	200	250	300	400	500	600	800	1000	1250	1500	2000	2500
15kW	\$18,302	\$19,396	\$20,018	\$21,358	\$27,666	\$32,159	\$34,567	\$39,501	\$44,709	\$57,961	\$75,040	\$84,142	\$102,389
18kW	\$18,557	\$19,652	\$20,272	\$21,612	\$27,921	\$32,416	\$34,821	\$39,620	\$44,822	\$57,961	\$75,040	\$84,142	\$102,389
30kW	\$19,104	\$20,100	\$20,997	\$22,176	\$28,506	\$33,036	\$35,384	\$40,168	\$45,456	\$57,961	\$75,797	\$85,892	\$104,146
36kW	\$19,384	\$20,384	\$21,289	\$22,528	\$28,763	\$33,297	\$35,634	\$40,417	\$45,682	\$58,676	\$76,558	\$87,641	\$105,904
45kW	\$20,067	\$21,591	\$22,685	\$23,823	\$29,813	\$34,107	\$36,482	\$41,060	\$46,249	\$59,394	\$77,477	\$88,560	\$106,824
54kW	\$20,678	\$22,202	\$23,294	\$24,434	\$30,422	\$34,714	\$37,090	\$41,853	\$47,223	\$59,820	\$78,397	\$89,481	\$107,741
60kW	\$21,268	\$22,793	\$23,886	\$25,027	\$31,014	\$35,309	\$37,682	\$42,407	\$47,760	\$60,250	\$79,314	\$90,397	\$108,660
72kW*	\$22,162	\$23,605	\$24,687	\$25,687	\$31,620	\$35,952	\$38,206	\$42,963	\$48,318	\$60,681	\$80,235	\$91,318	\$109,581
90kW*	\$22,699	\$24,187	\$25,222	\$26,312	\$32,129	\$36,417	\$38,694	\$43,424	\$48,794	\$61,112	\$82,072	\$93,158	\$111,419
108kW*	N/A	\$27,042	\$27,020	\$27,917	\$33,454	\$37,666	\$40,002	\$44,699	\$50,614	\$60,544	\$80,622	\$91,707	\$109,788
120kW*	N/A	\$27,185	\$27,163	\$28,061	\$33,598	\$37,811	\$40,145	\$44,976	\$50,882	\$67,671	\$81,438	\$92,900	\$110,583
135kW*	N/A	\$27,391	\$27,369	\$28,267	\$33,806	\$38,016	\$40,353	\$45,254	\$51,165	\$68,102	\$82,254	\$94,094	\$111,378
144kW*	N/A	\$27,941	\$27,907	\$28,641	\$34,350	\$38,501	\$40,729	\$45,538	\$51,439	\$68,534	\$83,072	\$95,289	\$112,175
162kW*	N/A	\$28,775	\$29,542	\$30,585	\$36,305	\$40,641	\$42,918	\$47,736	\$54,747	\$70,059	\$86,571	\$98,705	\$116,736
180kW*	N/A	N/A	N/A	N/A	\$41,724	\$46,740	\$51,659	\$56,415	\$63,641	\$75,220	\$88,977	\$101,034	\$120,211
216kW*	N/A	N/A	N/A	N/A	\$44,227	\$49,545	\$54,154	\$59,229	\$66,239	\$80,382	\$95,174	\$106,259	\$124,520
252kW*	N/A	N/A	N/A	N/A	N/A	N/A	N/A	\$62,962	\$69,997	\$83,616	\$98,137	\$110,443	\$128,221
270kW*	N/A	N/A	N/A	N/A	N/A	N/A	N/A	\$64,242	\$71,307	\$87,833	\$100,040	\$112,047	\$129,988
288kW*	N/A	N/A	N/A	N/A	N/A	N/A	N/A	N/A	\$72,708	\$89,349	\$101,942	\$113,650	\$131,760
324kW*	N/A	N/A	N/A	N/A	N/A	N/A	N/A	N/A	\$76,365	\$90,864	\$106,671	\$117,754	\$136,017
360kW*	N/A	N/A	N/A	N/A	N/A	N/A	N/A	N/A	N/A	\$94,198	\$111,071	\$122,358	\$141,235

*72kW and higher available with three phase voltage only.

Stainless steel models are priced upon request

Commercial Electric Water Heater Pricing - Effective July 18, 2022

Model EV

Options and Accessories

Controller Type - 11th character in model number	Character in Model Number	List Price
Immersion thermostat (standard)	X	no charge
Electric Step Controller for 1-4 Steps*	A	\$1,297
Electric Step Controller for 5-8 Steps*	B	\$3,126
Electric Step Controller for 9-12 steps*	C	\$5,054

*See submittal document for suggested control steps

Control Options - 12th character in model number		
None (standard)	X	no charge
BMS contacts	A	\$448
Alarm bell	B	\$513
BMS contacts & alarm bell	C	\$961

Clock/Lining Options - 13th character in model number		
None (standard)	X	no charge
7-day	A	\$1,114
24-hour	B	\$628
7-day & 24-hour	C	\$1,742
Double glass lining	D	by size, below
Size (Gallons)	150	200
Double Glass Lining List Price Add	\$2,231	\$2,231
Size (Gallons)	250	300
Double Glass Lining List Price Add	\$2,231	\$3,054
Size (Gallons)	400	500
Double Glass Lining List Price Add	\$4,019	\$4,019
Size (Gallons)	600	800
Double Glass Lining List Price Add	\$5,492	\$5,492
Size (Gallons)	1000	1250
Double Glass Lining List Price Add	\$5,492	\$10,078
Size (Gallons)	1500	2000
Double Glass Lining List Price Add	\$12,242	\$17,391
Size (Gallons)	2500	
Double Glass Lining List Price Add	\$17,391	\$17,391

Interlock & Disconnect Options - 14th character in model number		
None (standard)	X	no charge
Safety door interlock	A	\$681
Shunt trip disconnect*	B	request price
Safety door interlock & Shunt trip disconnect*	C	request price

*separate mounting

Waterside Options - 15th character in model number		
None (standard)	X	no charge
Low water cutoff	A	\$662
Pressure gauge	B	\$328
Manway for glass-lined models *	C	\$1,998
Low water cutoff and pressure gauge	D	\$990
Low water cutoff and manway *	E	\$2,660
Pressure gauge and manway *	F	\$2,326
Low water cutoff, pressure gauge, and manway *	G	\$2,988

*Manway is available on units that are 250 gallons or larger only - for stainless steel models, contact factory.

Pressure Switch Options - 16th character in model number		
None (standard)	X	no charge
High water pressure switch	A	\$489
Low water pressure switch	B	\$489
High & low water pressure switches	C	\$978

Seismic Bracing - Indicate zip code of installation - Order as separate line item	KMP00200	Request Price
--	----------	---------------

Commercial Electric Water Heater Pricing - Effective July 18, 2022

Model EV

Options and Accessories, Cont.

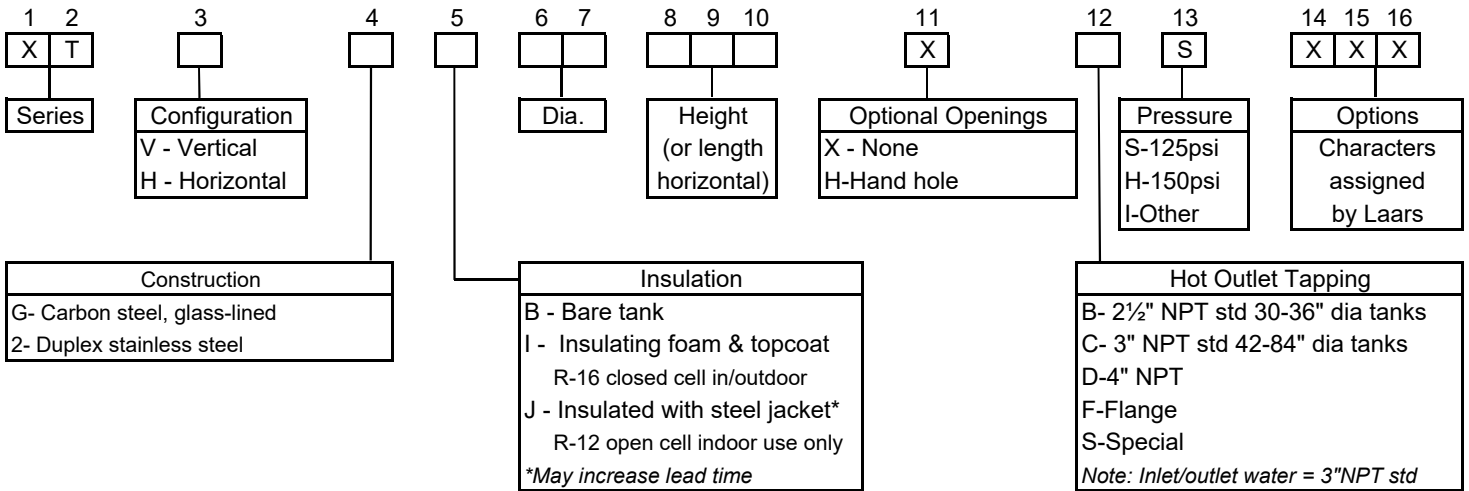
Lighted contactor switches (one lighted switch per contactor) - Order as separate line item per chart below:

kW	208-277 Volts		380 Volts		400-600 volts	
	Part Number	List Price	Part Number	List Price	Part Number	List Price
15	KMP00101	\$654	KMP00101	\$654	KMP00101	\$654
18	KMP00102	\$1,308	KMP00101	\$654	KMP00101	\$654
30	KMP00102	\$1,308	KMP00101	\$654	KMP00101	\$654
36	KMP00104	\$2,617	KMP00102	\$1,308	KMP00102	\$1,308
45	KMP00103	\$1,962	KMP00102	\$1,308	KMP00102	\$1,308
54	KMP00106	\$3,925	KMP00102	\$1,308	KMP00102	\$1,308
60	KMP00112	\$7,850	KMP00106	\$3,925	KMP00106	\$3,925
72	KMP00108	\$5,233	KMP00104	\$2,617	KMP00104	\$2,617
90	KMP00106	\$3,925	KMP00104	\$2,617	KMP00103	\$1,962
108	KMP00112	\$7,850	KMP00106	\$3,925	KMP00104	\$2,617
120	KMP00108	\$5,233	KMP00108	\$5,233	KMP00104	\$2,617
135	KMP00109	\$5,887	KMP00106	\$3,925	KMP00106	\$3,925
144	KMP00116	\$10,467	KMP00108	\$5,233	KMP00108	\$5,233
162	KMP00118	\$11,775	KMP00109	\$5,887	KMP00106	\$3,925
180	KMP00120	\$13,083	KMP00110	\$6,542	KMP00110	\$6,542
216	KMP00124	\$15,700	KMP00108	\$5,233	KMP00108	\$5,233
252	KMP00128	\$18,316	KMP00114	\$9,158	KMP00114	\$9,158
270	KMP00130	\$19,625	KMP00110	\$6,542	KMP00110	\$6,542
288	KMP00132	\$20,933	KMP00116	\$10,467	KMP00116	\$10,467
324	KMP00136	\$23,550	KMP00112	\$7,850	KMP00112	\$7,850
360	KMP00140	\$26,166	KMP00120	\$13,083	KMP00120	\$13,083

Hot Water Generator Pricing - Effective July 18, 2022

Model XT

Model Nomenclature



Notes:

1. Hot water generators are available in vertical and horizontal configurations, bare, jacketed/insulated or topcoated.
2. Prices shown in this section are for the tube bundles only, and do not include tank prices or control package prices.
3. For options, refer to the "Options" page in this price book. Manways are not required on hot water generators.
4. Saddles are mandatory for horizontal tanks. To add saddles, see the options page.
5. Contact our office for pricing of sizes that are not shown.
6. Alternate stainless steel compositions may be available.
7. Control packages for Steam-to-Water or Water-to-Water, self actuating, electronic or pneumatic are available. Contact Laars for pricing of control packages.
8. The first step in sizing a hot water generator is to know how much hot water is needed. To assist in selecting the correct tube bundle, please complete the following information and return it to our office at Orders@Laars.com. We will calculate the bundle based on the information you provide.

Because of the custom nature of these products, final package pricing must be confirmed by Laars before an order will be accepted.

Heat Load: _____ Btu/hr (boiler output)

Tube Side:

- Fluid: Water or Steam
- Inlet Temperature: _____ °F (Steam Inlet Pressure) _____ psi
- Outlet Temperature: _____ °F
- Flow Rate: _____ gpm (Steam _____ Lbs/hr)

Tank Side:

- Pressure: _____ Tank fluid - water
- Inlet Temperature: _____ °F
- Outlet Temperature: _____ °F
- Recovery Rate: _____ gph

To determine standard hot water generator pricing, add tank price to desired tube bundle price. Tube bundle pricing includes tube sheet, flanged neck, and cast iron head. Saddle prices shown on options page must be added to horizontal tanks. Water-to-steam and steam-to-water controls are available. Contact us for sizing and prices.

Hot Water Generator Pricing - Effective July 18, 2022

Model XT

List Pricing - Tube Bundles Only - Add to Tank List Price - Controls Priced Separately

IMPORTANT NOTE: Because of the custom nature of these products, final package pricing must be confirmed by Laars before an order will be accepted.

Tube Bundle	Single Wall	Double Wall
04-12	\$4,313	\$6,832
04-18	\$4,585	\$7,104
04-24	\$4,863	\$7,383
04-30	\$5,300	\$7,819
04-36	\$5,574	\$8,093
04-42	\$5,835	\$8,354
04-48	\$6,107	\$8,626
04-54	\$6,369	\$8,888
04-60	\$6,645	\$9,163
04-66	\$6,926	\$9,445
04-72	\$7,192	\$9,710
04-78	\$7,512	\$10,031
04-84	\$7,831	\$10,350
04-90	\$8,178	\$10,696
04-96	\$8,527	\$11,046

Tube Bundle	Single Wall	Double Wall
06-12	\$6,225	\$10,798
06-18	\$6,512	\$11,084
06-24	\$7,243	\$11,815
06-30	\$7,837	\$12,410
06-36	\$8,326	\$12,899
06-42	\$8,813	\$13,386
06-48	\$9,335	\$13,908
06-54	\$9,784	\$14,357
06-60	\$10,250	\$14,823
06-66	\$10,808	\$15,446
06-72	\$11,251	\$15,823
06-78	\$11,513	\$16,086
06-84	\$11,774	\$16,347
06-90	\$12,492	\$17,065
06-96	\$13,210	\$17,783

Tube Bundle	Single Wall	Double Wall
08-18	\$8,501	\$15,450
08-24	\$9,623	\$16,572
08-30	\$10,659	\$17,607
08-36	\$11,565	\$18,514
08-42	\$12,581	\$19,529
08-48	\$13,595	\$20,544
08-54	\$14,609	\$21,558
08-60	\$15,744	\$22,692
08-66	\$16,599	\$23,549
08-72	\$17,470	\$24,419
08-78	\$18,425	\$25,374
08-84	\$19,377	\$26,326
08-90	\$20,816	\$27,765
08-96	\$22,253	\$29,202

Tube Bundle	Single Wall	Double Wall
10-24	\$12,870	\$22,229
10-30	\$14,399	\$23,758
10-36	\$15,819	\$25,178
10-42	\$17,255	\$26,614
10-48	\$18,736	\$28,094
10-54	\$20,182	\$29,541
10-60	\$21,638	\$30,997
10-66	\$23,118	\$32,477
10-72	\$24,509	\$33,868
10-78	\$25,939	\$35,298
10-84	\$27,370	\$36,729
10-90	\$28,826	\$38,185
10-96	\$30,283	\$39,642
10-102	\$31,742	\$41,101
10-108	\$33,201	\$42,559

Tube Bundle	Single Wall	Double Wall
12-36	\$19,549	\$33,934
12-42	\$21,451	\$35,836
12-48	\$23,348	\$37,733
12-54	\$25,215	\$39,599
12-60	\$27,069	\$41,453
12-66	\$28,939	\$43,324
12-72	\$30,818	\$45,204
12-78	\$32,705	\$47,089
12-84	\$34,566	\$48,952
12-90	\$36,453	\$50,837
12-96	\$38,341	\$52,726
12-102	\$40,200	\$54,585
12-108	\$42,059	\$56,443
12-114	\$43,915	\$58,299
12-120	\$45,770	\$60,155

Tube Bundle	Single Wall	Double Wall
14-36	\$24,722	\$44,998
14-42	\$27,032	\$47,308
14-48	\$29,186	\$49,461
14-54	\$31,502	\$51,777
14-60	\$33,606	\$53,881
14-66	\$35,828	\$56,104
14-72	\$38,141	\$58,417
14-78	\$40,324	\$60,600
14-84	\$42,605	\$62,880
14-90	\$44,731	\$65,007
14-96	\$46,857	\$67,133
14-102	\$49,098	\$69,374
14-108	\$51,340	\$71,615
14-114	\$53,581	\$73,857
14-120	\$55,821	\$76,097

Tube Bundle	Single Wall	Double Wall
16-36	\$29,065	\$54,003
16-42	\$31,747	\$56,686
16-48	\$34,202	\$59,142
16-54	\$37,044	\$61,983
16-60	\$39,549	\$64,487
16-72	\$44,895	\$69,834
16-84	\$50,152	\$75,091
16-96	\$55,592	\$80,530
16-108	\$60,911	\$85,850
16-120	\$66,039	\$90,978

Notes:

1. Standard tube bundles have 316L stainless steel tube sheets.
2. Pricing is not for replacement tube bundles. For replacement tube bundles, contact us.
3. For total list price, tank, tube bundle, controls, and other options are added together.

Because of the custom nature of these products, final package pricing must be confirmed by Laars before an order will be accepted.

