

# Large Volume Tank Products Pricing and Ordering

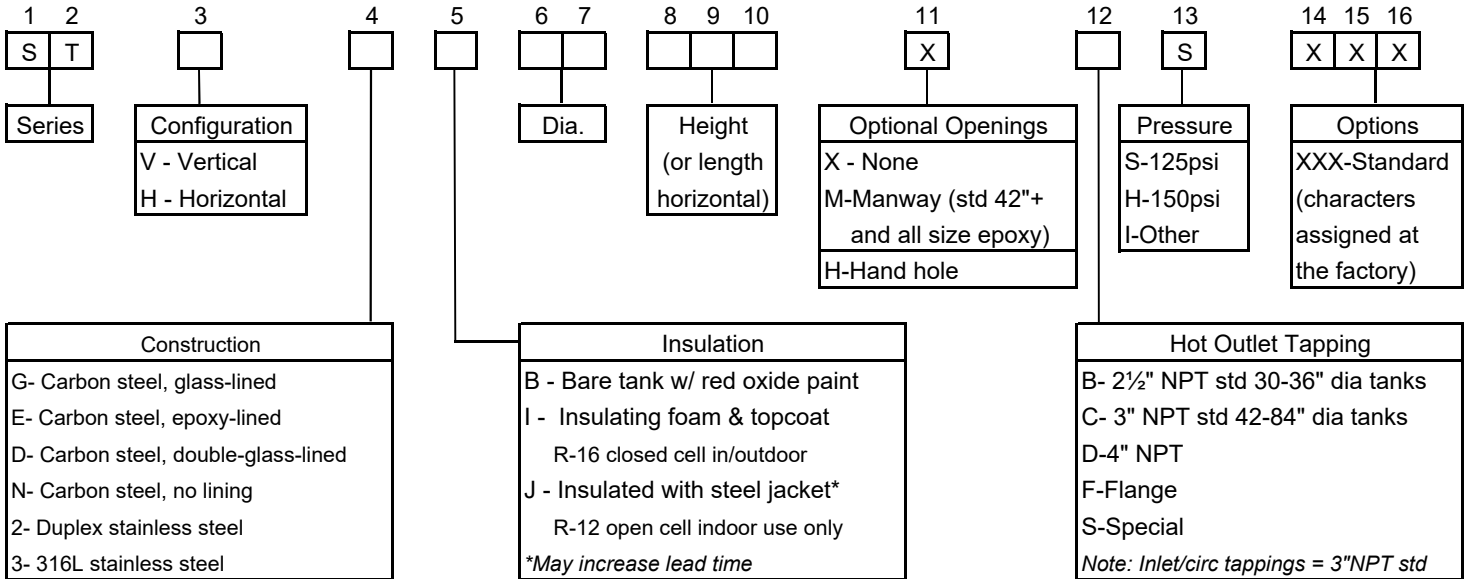
Large Volume Storage Tanks, Model ST ..... 2  
Chilled Water Buffer Tanks, Model BT ..... 7  
Hydraulic Separators / Hot Water Buffer Tanks, Model HT..... 9  
Options for Models ST, BT, HT & XT ..... 10  
Expansion Bladder Tanks, Model LEBT ..... 11  
Commercial Electric Water Heater, Model EV ..... 12  
Hot Water Generator, Model XT ..... 17



# Large Volume Storage Tank Pricing - Effective March 21, 2022

## Model ST

### Model Nomenclature



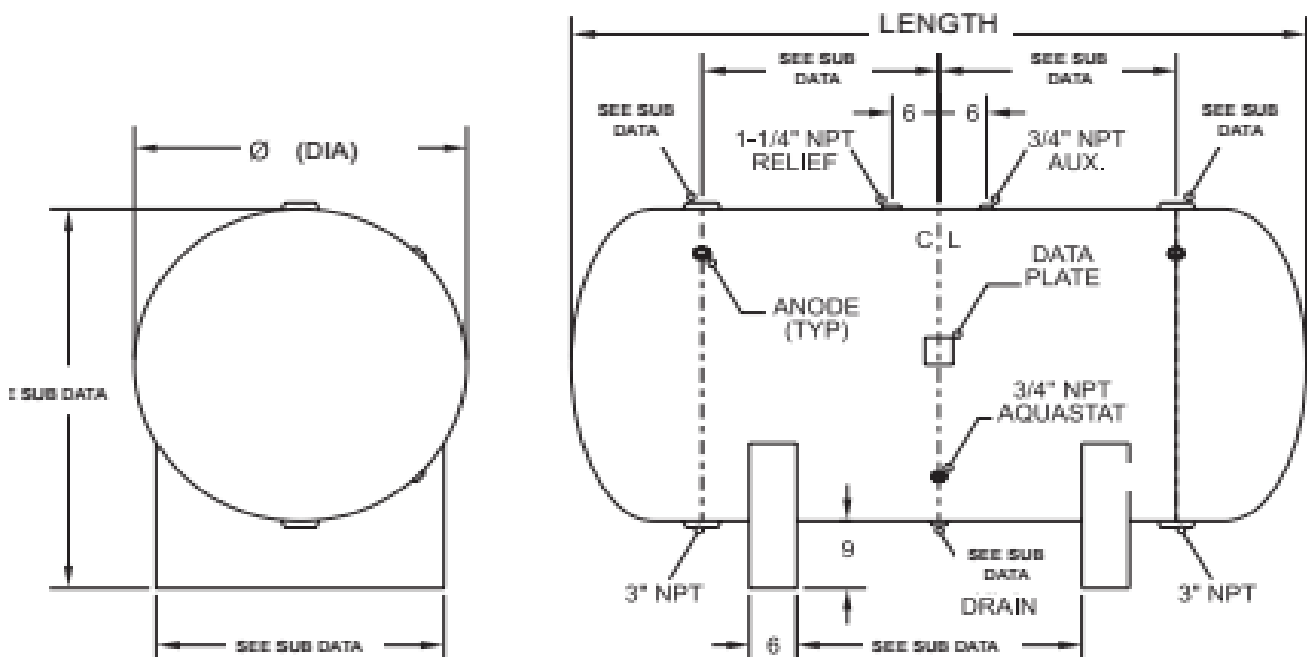
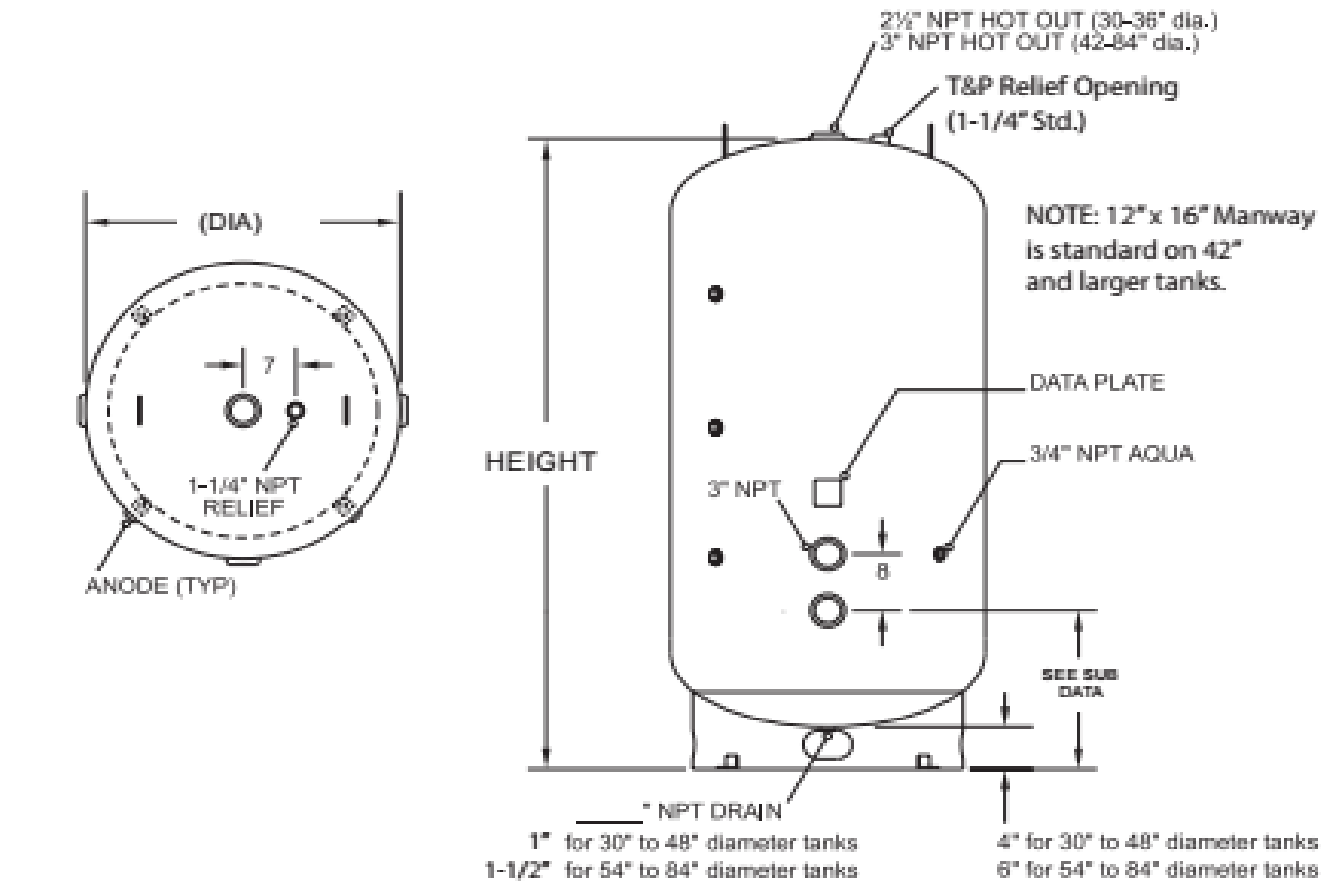
**Notes:**

1. Any tank may be customized with the options and accessories shown in this document.
2. Up to 48" diameter tanks use a 4" skirt. 54" diameter and larger tanks use a 6" skirt.
3. Saddles are mandatory for horizontal tanks. To add for saddles, see the custom tank options page.
4. Carbon steel tanks are built with anode rods.
5. Larger diameter tanks may be available. Call factory.
6. Alternate stainless steel compositions may be available. Call factory.
7. If desired, dedicated cold water makeup tappings can be ordered. See the options and accessories page.
8. Warranties:
  - Carbon steel glass-lined carries a 5-year limited tank warranty.
  - Carbon steel double-glass-lined carries a 10-year limited tank warranty.
  - Carbon steel epoxy-lined or unlined carry a 1-year limited tank warranty.
  - Duplex stainless steel construction carries a 25-year limited tank warranty.
  - 316L stainless steel construction carries a 10-year limited tank warranty.
  - See warranty documents for details.

# Large Volume Storage Tank Pricing - Effective March 21, 2022

## Model ST

### Dimensional Drawing



# Large Volume Storage Tank Pricing - Effective March 21, 2022

## Model ST

### Model Data

ST Model Size	Nominal Gallons	Actual Gallons	Bare Tank Weight, lbs.		Topcoated Tank Weight, lbs.		Jacketed Tank Weight, lbs.	
			Vertical	Horizontal	Vertical	Horizontal	Vertical	Horizontal
3 0 0 6 3	193	175	340	365	340	365	548	570
3 0 0 7 5	229	210	387	412	387	412	613	613
3 0 0 8 5	260	240	420	545	420	545	673	755
3 0 0 9 9	303	280	483	508	483	508	700	728
3 0 1 1 1	340	320	530	555	530	555	730	774
3 6 0 7 2	317	285	550	576	550	576	714	776
3 6 0 7 8	344	310	588	614	588	614	782	827
3 6 0 8 5	375	340	633	659	633	659	845	876
3 6 0 9 0	397	360	664	690	664	690	894	935
3 6 1 0 2	449	415	742	768	742	768	982	1016
3 6 1 1 4	502	465	818	884	818	884	1106	1157
3 6 1 2 6	555	515	894	920	894	920	1194	1260
4 2 0 8 1	486	435	783	810	783	810	1024	1110
4 2 0 8 4	504	453	805	832	805	832	1074	1049
4 2 0 9 3	558	505	874	874	874	874	1168	1181
4 2 1 0 5	630	575	963	900	963	900	1292	1263
4 2 1 1 7	702	645	1052	984	1052	984	1392	1352
4 2 1 2 9	774	720	1140	1068	1140	1068	1498	1460
4 2 1 3 9	846	790	1217	1138	1217	1138	1587	1547
4 8 0 7 3	572	500	1038	1090	1038	1090	1381	1449
4 8 0 8 4	658	580	1161	1213	1161	1213	1539	1593
4 8 0 9 6	752	675	1298	1350	1298	1350	1653	1750
4 8 1 0 8	846	765	1433	1485	1433	1485	1803	1803
4 8 1 1 6	909	836	1522	*	1522	*	*	*
4 8 1 2 0	940	860	1567	1619	1567	1619	1947	2069
4 8 1 4 1	1128	1040	1805	1857	1805	1857	2216	2407
4 8 1 6 8	1306	1225	2186	2160	2186	2160	n/a	n/a
5 4 0 9 9	981	875	1596	1696	1596	1696	2200	2275
5 4 1 1 3	1119	1000	1827	*	1827	*	2400	2475
5 4 1 2 3	1219	1110	1889	2124	1889	2124	2575	2650
5 4 1 3 4	1327	1200	1969	2252	1969	2252	*	2825
5 4 1 4 7	1457	1340	2182	2306	2182	2306	n/a	n/a
5 4 1 5 6	1545	1442	*	2364	*	2419	n/a	n/a
5 4 1 6 0	1585	1481	2402	*	2402	*	n/a	n/a
5 4 1 6 5	1635	1500	2484	2734	2484	2734	n/a	n/a
5 4 1 8 3	1814	1690	2722	2972	2722	2972	n/a	n/a
6 0 0 9 6	1174	1000	2007	2548	2007	2548	2600	2675
6 0 1 1 4	1395	1245	2376	2648	2376	2648	3050	3050
6 0 1 2 8	1565	1430	2586	2736	*	2736	3175	*
6 0 1 3 8	1689	1530	2797	2829	2797	2829	3500	3575
6 0 1 6 8	1983	1820	3210	3560	3210	3560	n/a	n/a
6 0 1 7 7	2165	2000	3481	3491	3481	3491	n/a	n/a
6 0 1 8 6	2276	2105	3639	*	3639	*	n/a	n/a
6 0 2 1 0	2570	2395	3922	4172	3922	4172	n/a	n/a
7 2 0 9 4	1655	1433	2551	*	2551	*	*	*
7 2 1 0 0	1761	1538	2677	2942	2677	2942	*	*
7 2 1 1 7	2061	1800	3035	3305	3035	3305	*	*
7 2 1 2 0	2115	1865	3099	3369	3099	3369	*	*
7 2 1 2 8	2256	2000	3267	3540	3267	3540	*	*
7 2 1 4 4	2538	2285	3304	3881	3304	3881	n/a	n/a
7 2 1 5 7	2765	2500	3878	4105	3878	4105	n/a	n/a
7 2 1 6 8	2959	2727	4110	4394	4110	4394	n/a	n/a
7 2 1 9 2	3382	3147	4616	4852	4616	4852	n/a	n/a
7 2 2 1 6	3805	3567	5122	5418	5122	5418	n/a	n/a
7 2 2 5 0	4404	4162	5616	6144	5616	6144	n/a	n/a
8 4 1 2 1	2901	2500	4265	4684	4265	4684	n/a	n/a
8 4 1 3 8	3308	2915	4747	5196	4747	5196	n/a	n/a
8 4 1 6 2	3884	3480	5428	5902	5428	5902	n/a	n/a
8 4 1 8 6	4459	4045	6109	6614	6109	6614	n/a	n/a
8 4 2 1 0	5038	4610	6789	7327	6789	7327	n/a	n/a
8 4 2 5 6	6138	5695	8094	8693	8094	8693	n/a	n/a

\*Contact Factory

# Large Volume Storage Tank Pricing - Effective March 21, 2022

## Model ST

### List Pricing

Model	Nom. Gal.	Act. Gal.	Model Character 4					Model Character 5		
			"G" Standard Glass Lined List Price	"E" Epoxy Lined** Adder	"D" Double Glass Lined Adder	"2" Duplex Stainless Adder	"3" 316L Stainless Adder	"B" Bare Rex Oxide Paint	"I" Insulating Topcoat Adder	"J" Insulated Steel Jacket Adder
S T # # # 3 0 0 6 3	193	175	\$9,950	\$2,022	\$2,266	\$17,118	\$15,765	standard	\$3,011	\$5,128
S T # # # 3 0 0 7 5	229	210	\$10,381	\$2,179	\$2,266	\$17,972	\$16,552	standard	\$3,546	\$5,485
S T # # # 3 0 0 8 5	260	240	\$10,898	\$2,336	\$2,266	\$18,416	\$16,949	standard	\$4,013	\$6,010
S T # # # 3 0 0 9 9	303	280	\$11,502	\$2,493	\$2,266	\$19,238	\$17,702	standard	\$4,616	\$6,391
S T # # # 3 0 1 1 1	340	320	\$11,980	\$2,650	\$2,266	\$19,986	\$18,389	standard	\$5,085	\$6,631
S T # # # 3 6 0 7 2	317	285	\$12,821	\$2,048	\$3,100	\$18,180	\$16,631	standard	\$4,013	\$6,553
S T # # # 3 6 0 7 8	344	310	\$13,198	\$2,205	\$3,100	\$18,328	\$16,751	standard	\$4,414	\$6,916
S T # # # 3 6 0 8 5	375	340	\$13,876	\$2,362	\$3,100	\$18,537	\$16,929	standard	\$4,816	\$7,125
S T # # # 3 6 0 9 0	397	360	\$14,124	\$2,519	\$3,100	\$18,747	\$17,105	standard	\$5,016	\$7,170
S T # # # 3 6 1 0 2	449	415	\$14,830	\$2,676	\$3,100	\$22,458	\$20,593	standard	\$5,685	\$7,241
S T # # # 3 6 1 1 4	502	465	\$15,431	\$2,833	\$3,100	\$24,736	\$22,727	standard	\$6,355	\$7,697
S T # # # 3 6 1 2 6	555	515	\$16,138	\$2,991	\$3,100	\$26,912	\$24,759	standard	\$6,957	\$8,238
S T # # # 4 2 0 8 1	486	435	\$16,197	\$281	\$4,077	\$33,000	\$30,514	standard	\$5,351	\$8,848
S T # # # 4 2 0 8 4	504	453	\$16,705	\$375	\$4,077	\$33,000	\$30,514	standard	\$5,552	\$9,610
S T # # # 4 2 0 9 3	558	505	\$17,228	\$469	\$4,077	\$33,186	\$30,666	standard	\$6,087	\$10,166
S T # # # 4 2 1 0 5	630	575	\$18,038	\$564	\$4,077	\$33,319	\$30,752	standard	\$6,957	\$10,744
S T # # # 4 2 1 1 7	702	645	\$18,731	\$658	\$4,077	\$33,570	\$30,953	standard	\$7,558	\$10,978
S T # # # 4 2 1 2 9	774	720	\$19,532	\$752	\$4,077	\$33,712	\$31,052	standard	\$8,294	\$11,042
S T # # # 4 2 1 3 9	846	790	\$20,261	\$846	\$4,077	\$33,929	\$31,221	standard	\$8,895	\$11,144
S T # # # 4 8 0 7 3	572	500	\$20,143	\$188	\$5,571	\$29,532	\$27,048	standard	\$5,552	\$10,189
S T # # # 4 8 0 8 4	658	580	\$21,506	\$202	\$5,571	\$30,969	\$28,344	standard	\$6,355	\$11,208
S T # # # 4 8 0 9 6	752	675	\$23,423	\$218	\$5,571	\$32,105	\$29,329	standard	\$7,157	\$12,329
S T # # # 4 8 1 0 8	846	765	\$24,993	\$233	\$5,571	\$33,590	\$30,660	standard	\$8,025	\$13,561
S T # # # 4 8 1 1 6	909	836	\$26,258	\$244	\$5,571	\$35,379	\$32,300	standard	\$8,628	\$14,917
S T # # # 4 8 1 2 0	940	860	\$27,524	\$258	\$5,571	\$39,455	\$36,107	standard	\$8,828	\$16,410
S T # # # 4 8 1 4 1	1128	1040	\$30,782	\$288	\$5,571	\$42,332	\$38,677	standard	\$10,300	\$18,050
S T # # # 4 8 1 6 8	1306	1225	\$34,306	\$319	\$5,571	*	*	standard	\$12,239	*
S T # # # 5 4 0 9 9	981	875	\$36,053	\$336	\$10,223	*	*	standard	\$8,294	\$19,018
S T # # # 5 4 1 1 3	1119	1000	\$37,872	\$352	\$10,223	*	*	standard	\$9,230	\$21,259
S T # # # 5 4 1 2 3	1219	1110	\$39,688	\$371	\$10,223	*	*	standard	\$10,166	\$23,598
S T # # # 5 4 1 3 4	1327	1200	\$43,662	\$407	\$10,223	*	*	standard	\$11,304	\$27,216
S T # # # 5 4 1 4 7	1457	1340	\$44,668	\$417	\$10,223	*	*	standard	\$12,106	*
S T # # # 5 4 1 5 6	1545	1442	\$45,322	\$423	\$10,223	*	*	standard	\$12,508	*
S T # # # 5 4 1 6 0	1585	1481	\$45,978	\$428	\$10,223	*	*	standard	\$12,975	*
S T # # # 5 4 1 6 5	1635	1500	\$47,212	\$439	\$10,223	*	*	standard	\$13,443	*
S T # # # 5 4 1 8 3	1814	1690	\$49,960	\$465	\$10,223	*	*	standard	\$14,915	*

\* Contact Factory

\*\* 30-36" epoxy-lined tanks include manway

# Model character 3:

V for vertical

H for horizontal (saddles must be added, and are not included in the tank price - see options page)

Model character 4:

G for carbon steel glass-lined (standard)

E for carbon steel epoxy-lined

D for carbon steel double-glass-lined

2 for duplex stainless steel

3 for 316L stainless steel

N for unlined carbon steel (priced upon request)

Model character 5:

B for bare tank (standard)

I for insulating topcoat

J for insulated steel jacket

# Large Volume Storage Tank Pricing - Effective March 21, 2022

## Model ST

### List Pricing

Model					Nom. Gal.	Act. Gal.	Model Character 4					Model Character 5			
							"G" Standard Glass Lined List Price	"E" Epoxy Lined Adder	"D" Double Glass Lined Adder	"2" Duplex Stainless Adder	"3" 316L Stainless Adder	"B" Bare Rex Oxide Paint	"I" Insulating Topcoat Adder	"J" Insulation and Jacket Adder	
S T # # #	6	0	0	9	6	1174	1000	\$46,095	\$430	\$12,417	*	*	standard	\$9,966	\$24,588
S T # # #	6	0	1	1	4	1395	1245	\$51,462	\$479	\$12,417	*	*	standard	\$10,501	\$25,113
S T # # #	6	0	1	2	8	1565	1430	\$54,153	\$505	\$12,417	*	*	standard	\$11,571	\$26,458
S T # # #	6	0	1	3	8	1689	1530	\$56,844	\$530	\$12,417	*	*	standard	\$12,641	\$27,887
S T # # #	6	0	1	6	8	1983	1820	\$61,657	\$575	\$12,417	*	*	standard	\$15,249	*
S T # # #	6	0	1	7	7	2165	2000	\$64,618	\$601	\$12,417	*	*	standard	\$16,386	*
S T # # #	6	0	1	8	6	2276	2105	\$67,580	\$629	\$12,417	*	*	standard	\$16,854	*
S T # # #	6	0	2	1	0	2570	2395	\$72,824	\$678	\$12,417	*	*	standard	\$18,927	*
S T # # #	7	2	0	9	4	1655	1433	\$55,434	\$516	\$17,642	*	*	standard	\$11,638	\$29,357
S T # # #	7	2	1	0	0	1761	1538	\$56,031	\$522	\$17,642	*	*	standard	\$11,837	\$30,032
S T # # #	7	2	1	1	7	2061	1800	\$61,204	\$570	\$17,642	*	*	standard	\$13,644	\$30,704
S T # # #	7	2	1	2	0	2115	1865	\$61,904	\$576	\$17,642	*	*	standard	\$14,211	\$31,350
S T # # #	7	2	1	2	8	2256	2000	\$62,570	\$584	\$17,642	*	*	standard	\$14,781	\$32,049
S T # # #	7	2	1	4	4	2538	2285	\$67,845	\$631	\$17,642	*	*	standard	\$15,784	*
S T # # #	7	2	1	5	7	2765	2500	\$71,878	\$670	\$17,642	*	*	standard	\$17,790	*
S T # # #	7	2	1	6	8	2959	2727	\$74,131	\$690	\$17,642	*	*	standard	\$18,327	*
S T # # #	7	2	1	9	2	3382	3147	\$82,228	\$765	\$17,642	*	*	standard	\$20,800	*
S T # # #	7	2	2	1	6	3805	3567	\$87,927	\$819	\$17,642	*	*	standard	\$23,341	*
S T # # #	7	2	2	5	0	4404	4162	\$96,221	\$896	\$17,642	*	*	standard	\$26,887	*
S T # # #	8	4	1	2	1	2901	2500	\$84,353	\$786	\$20,980	*	*	standard	\$16,520	*
S T # # #	8	4	1	3	8	3308	2915	\$92,913	\$865	\$20,980	*	*	standard	\$17,657	*
S T # # #	8	4	1	6	2	3884	3480	\$103,775	\$965	\$20,980	*	*	standard	\$20,600	*
S T # # #	8	4	1	8	6	4459	4045	\$111,384	\$1,037	\$20,980	*	*	standard	\$23,542	*
S T # # #	8	4	2	1	0	5038	4610	\$120,225	\$1,118	\$20,980	*	*	standard	\$26,485	*
S T # # #	8	4	2	5	6	6138	5695	\$136,456	\$1,269	\$20,980	*	*	standard	\$32,103	*

\* Contact Factory

# Model character 3:

V for vertical

H for horizontal (saddles must be added, and are not included in the tank price - see options page)

Model character 4:

G for carbon steel glass-lined (standard)

E for carbon steel epoxy-lined

D for carbon steel double-glass-lined

2 for duplex stainless steel

3 for 316L stainless steel

N for unlined carbon steel (priced upon request)

Model character 5:

B for bare tank (standard)

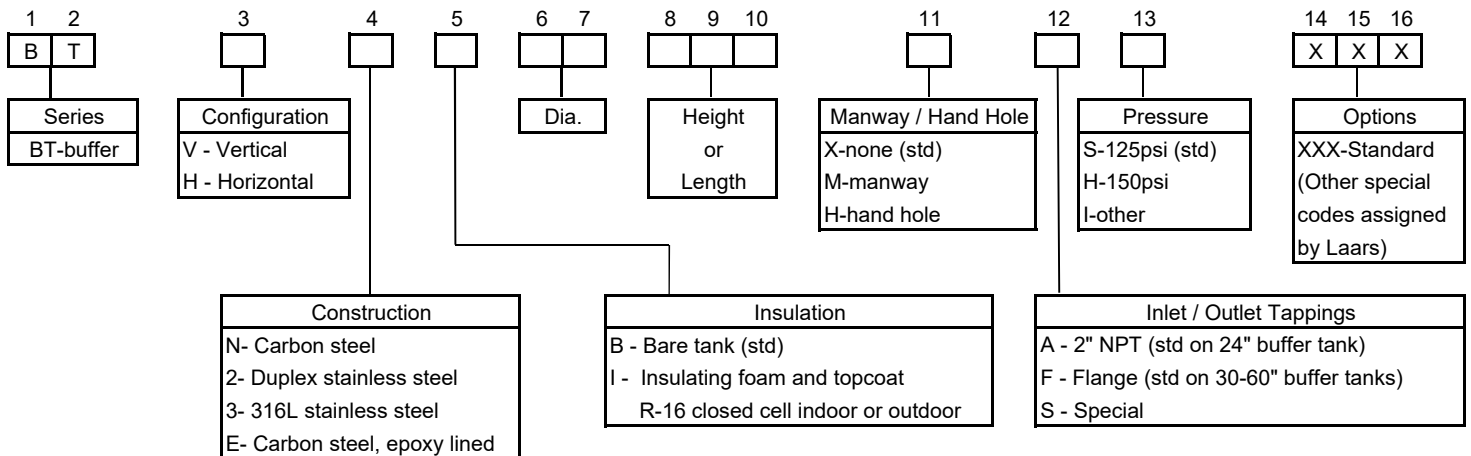
I for insulating topcoat

J for insulated steel jacket

# Chilled Water Buffer Tank Pricing - Effective March 21, 2022

## Model BT

### Model Nomenclature

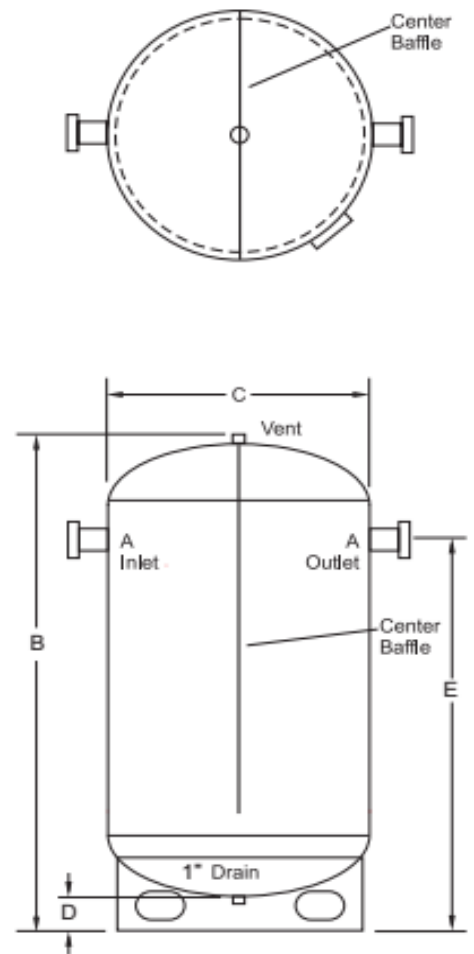


### NOTES:

- Standard tank is vertical, built less manway or hand hole, with base ring, 125 psi.
- Manways are not required on chilled water buffer tanks.
- Tanks are certified ASME Section VIII, Div 1 Code.
- Optional foam and topcoat has R-16 value.
- Vertical tanks are welded into 4" or 6" base ring.
- Vertical tanks are supplied with center baffle.

- Add saddles to horizontal tanks. See "Tank Options" page.
- Custom sizes/materials may be available upon request.
- Warranties:
  - Carbon steel carries a 1-year limited tank warranty.
  - Duplex construction carries a 25-year limited tank warranty.
  - 316L construction carries a 10-year limited tank warranty.

Carbon Steel Unlined Model		Capacity Gallons	A	B in.	C in.	D in.	E in.	Weight lbs	
B T #	2 4	0 7 2	130	2" NPT	76	24	4	63.63	375
B T #	3 0	0 7 5	210	3" FLG	79	30	4	63.38	425
B T #	3 6	0 7 2	300	4" FLG	76	36	4	59.75	633
B T #	3 6	0 9 0	360	4" FLG	94	36	4	77.75	715
B T #	4 2	0 7 2	380	4" FLG	76	42	4	58.25	1250
B T #	4 2	0 8 4	460	4" FLG	88	42	4	70.25	1250
B T #	4 2	0 9 0	500	4" FLG	94	42	4	76.25	1300
B T #	4 2	1 0 0	550	4" FLG	104	42	4	85.00	1425
B T #	4 8	0 7 3	500	6" FLG	77	48	4	56.25	1150
B T #	4 8	0 8 4	588	6" FLG	88	48	4	64.50	1425
B T #	4 8	0 9 6	675	6" FLG	100	48	4	79.25	1885
B T #	4 8	1 4 1	1000	6" FLG	145	48	4	124.25	1957
B T #	5 4	0 9 6	850	6" FLG	102	54	6	79.63	1630
B T #	5 4	1 4 7	1350	6" FLG	153	54	6	132.00	2800
B T #	5 4	1 6 5	1530	8" FLG	171	54	6	147.50	3100
B T #	6 0	0 9 6	1040	8" FLG	102	60	6	76.75	2280
B T #	6 0	1 3 5	1500	8" FLG	141	60	6	114.00	3375
B T #	6 0	1 7 7	2000	8" FLG	183	60	6	155.00	4225



# Chilled Water Buffer Tank Pricing - Effective March 21, 2022

## Model BT

### List Prices

Model	Capacity Gallons	Standard Bare Tank List Price	Model Character 4				Model Character 5	
			" N " Carbon Steel	" 2 " Duplex Stainless Adder	" 3 " 316L Stainless Adder	" E " Epoxy Lined Adder	" B " Bare Red Oxide Paint	" I " Insulating Topcoat Adder
B T # # # 2 4 0 7 2	130	\$6,580	standard	*	*	\$5,294	standard	\$2,676
B T # # # 3 0 0 7 5	210	\$8,440	standard	\$12,897	\$11,143	\$6,488	standard	\$3,546
B T # # # 3 6 0 7 2	300	\$11,171	standard	\$15,445	\$13,675	\$6,979	standard	\$4,013
B T # # # 3 6 0 9 0	400	\$12,526	standard	\$18,005	\$15,744	\$8,243	standard	\$5,016
B T # # # 4 2 0 7 2	394	\$12,024	standard	\$39,674	\$36,067	\$7,943	standard	\$4,710
B T # # # 4 2 0 8 4	460	\$15,822	standard	\$44,303	\$39,847	\$8,947	standard	\$5,552
B T # # # 4 2 0 9 0	500	\$16,176	standard	\$44,803	\$40,285	\$9,147	standard	\$6,087
B T # # # 4 2 1 0 0	550	\$17,067	standard	\$45,055	\$40,453	\$9,378	standard	\$6,957
B T # # # 4 8 0 7 3	528	\$16,532	standard	\$41,273	\$36,991	\$8,994	standard	\$5,552
B T # # # 4 8 0 8 4	588	\$16,977	standard	\$41,763	\$37,410	\$9,588	standard	\$6,355
B T # # # 4 8 0 9 6	700	\$17,741	standard	\$43,429	\$38,899	\$11,416	standard	\$7,157
B T # # # 4 8 1 4 1	1000	\$26,220	standard	\$54,321	\$48,357	\$14,967	standard	\$10,300
B T # # # 5 4 0 9 6	850	\$33,794	standard	*	*	\$11,735	standard	\$8,294
B T # # # 5 4 1 4 7	1350	\$49,887	standard	*	*	\$17,245	standard	\$12,106
B T # # # 5 4 1 6 5	1530	\$53,678	standard	*	*	\$18,991	standard	\$13,443
B T # # # 6 0 0 9 6	1040	\$48,209	standard	*	*	\$12,931	standard	\$9,966
B T # # # 6 0 1 3 5	1500	\$58,944	standard	*	*	\$17,575	standard	\$12,641
B T # # # 6 0 1 7 7	2000	\$66,136	standard	*	*	\$22,595	standard	\$16,386

\* Contact Factory

# Model character 3:

V for vertical

H for horizontal (saddles must be added, and are not included in the tank price - see options page)

Model character 4:

N for unlined carbon steel (standard)

2 for duplex stainless steel

3 for 316L stainless steel

E for carbon steel epoxy-lined

Model character 5:

B for bare tank (standard)

I for insulating topcoat

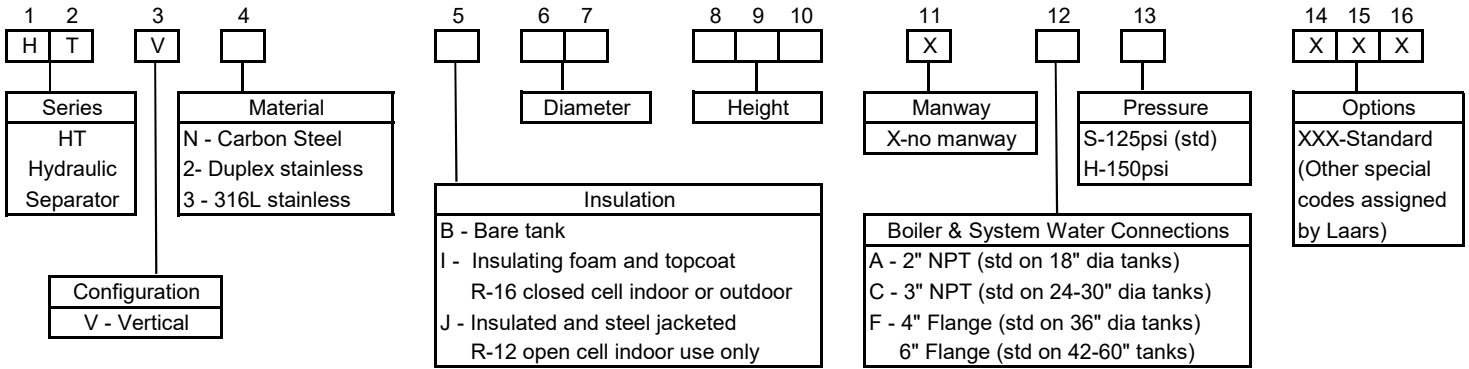
Note - Manways are not required on chilled water buffer tanks, and are not included in the standard BT tank price.



# Hydraulic Separator / Hot Water Buffer Tank Pricing - Effective March 21, 2022

## Model HT

### Model Nomenclature



#### NOTES:

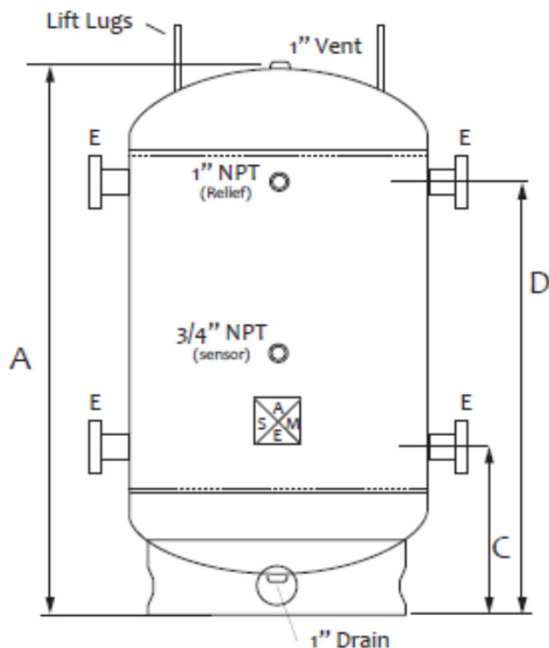
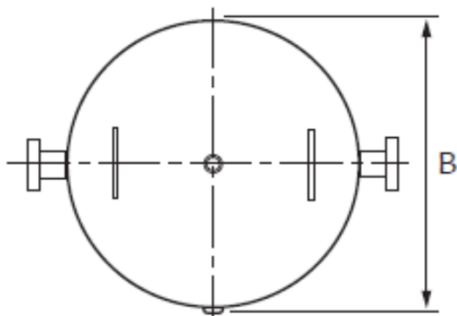
- Standard tank is unlined carbon steel, vertical, 125 psi, bare, with base ring, and 5-year limited tank warranty.
- 316L construction carries a 10-year limited tank warranty. Duplex construction carries a 25-year limited tank warranty.

### List Pricing and Dimensions

Model	Capacity	# - Model Character 5			"A" in.	"B" in.	"C" in.	"D" in.	"E" Fitting Size/Style	Weight lbs
		"B" Standard Bare Tank	"I" Insulating Foam & Topcoat	"J" Insulated Steel Jacket						
		List Price	Adder	Adder						
HTVN # -18-041	40 gallon	\$6,251	\$2,047	N/A	45	18	14 1/4	33 3/4	2" NPT	250
HTVN # -24-045	80 gallon	\$6,951	\$2,341	N/A	49	24	16 3/4	36 1/4	3" NPT	286
HTVN # -30-045	120 gallon	\$7,642	\$2,676	\$5,128	49	30	16 3/4	36 1/4	3" NPT	310
HTVN # -30-075	210 gallon	\$7,940	\$3,546	\$5,485	79	30	16 3/4	62 1/4	3" NPT	475
HTVN # -36-072	285 gallon	\$12,055	\$4,013	\$6,553	76	36	24 1/2	55 1/2	4" flange	760
HTVN # -42-072	385 gallon	\$14,672	\$4,710	\$7,787	76	42	27	53	6" flange	1080
HTVN # -42-084	453 gallon	\$16,380	\$5,552	\$9,610	88	42	27	64	6" flange	1350
HTVN # -48-096	675 gallon	\$25,400	\$7,157	\$12,329	100	48	29	75	6" flange	1790
HTVN # -48-120	860 gallon	\$30,587	\$8,828	\$16,410	124	48	29	99	6" flange	1925
HTVN # -60-096	1000 gallon	\$47,594	\$9,966	\$24,588	102	60	31 1/4	76 3/4	6" flange	2140

#### Notes:

- Stainless steel models are priced upon request
- Manways are not required on closed loop systems.  
Refer to options pricing if manway is desired.



## Options for Model ST, BT, HT & XT Pricing - Effective March 21, 2022

<b>To Add NPT Fittings</b> (or change the size of standard fittings)		
Fitting Size	Carbon Steel Tank Add to List Price / each	Stainless Steel Tank Add to List Price / each
3/4" NPT	\$260	\$297
1" NPT	\$267	\$306
1-1/4" NPT	\$272	\$347
1-1/2" NPT	\$390	\$644
2" NPT	\$403	\$809
2-1/2" NPT	\$446	\$972
3" NPT	\$501	\$2,153
4" NPT	\$838	\$2,523

<b>To Add Flange Fittings</b> (or change the size/type of std fittings)		
Flange Size	Carbon Steel Tank Add to List Price / each	Stainless Steel Tank Add to List Price / each
4" & smaller flange	\$743	\$1,734
6" flange	\$953	\$2,434
8" flange	\$1,548	\$3,459
10" flange	\$2,424	\$4,338
12" flange	\$3,061	\$5,632
14" flange	\$3,633	\$6,493

<b>Saddles for Horizontal Tanks</b> Saddles are mandatory for horizontal tanks, <u>and are not included in the tank price.</u>		
<ul style="list-style-type: none"> <li>Saddles are welded to tanks.</li> <li>Saddles lift the tank 9" from the ground.</li> <li>12" and 15" saddles are available - contact factory for price</li> </ul>		
Tank Dia.	Carbon Steel Tank Add to List Price (Price is per pair)	Stainless Steel Tank Add to List Price (Price is per pair)
36" & smaller	\$960	\$1,280
42" to 54"	\$2,339	\$3,049
60" to 80"	\$4,248	\$5,537

<b>150psi Tank Pressure Rating</b> (Contact factory for higher pressure ratings)		
Tank Dia.	Carbon Steel Tank Add to List Price	Stainless Steel Tank Add to List Price
30" to 36"	\$1,850	\$2,375
42" to 48"	\$2,503	\$3,029
54"	\$4,506	Contact Factory
60"	\$5,552	Contact Factory
72"	\$6,628	Contact Factory
84"	\$7,810	Contact Factory

### **Manways (12"x16")**

- Manways are included on ST dia. 42" & larger
- Manways are required on epoxy-lined tanks

Add to list price:

Carbon steel tanks- \$1921

Stainless steel tanks- \$10591

### **Hand Holes (4"x6")**

Add to list price:

Carbon steel tanks - \$911

### **InHouse Seismic Anchor Calc**

Add to list price:

Carbon steel tanks - List price \$704

Stainless steel tanks - List price \$842

Meets requirements in most installations. For questions about tanks built with options, or for calculations, contact the factory.

### **Lift Lugs (one pair)**

- Standard on bare & foam/topcoat tanks
- Standard on horizontal jacketed tanks

Add to list price:

Carbon steel vertical jacketed tanks- \$256

Stainless steel vertical jacketed tanks- \$513

### **Sparge Tube (For ST tanks only)**

Shipped loose, order part number CTHJ001

List price \$576

Sparge tubes fit 3"NPT opening only

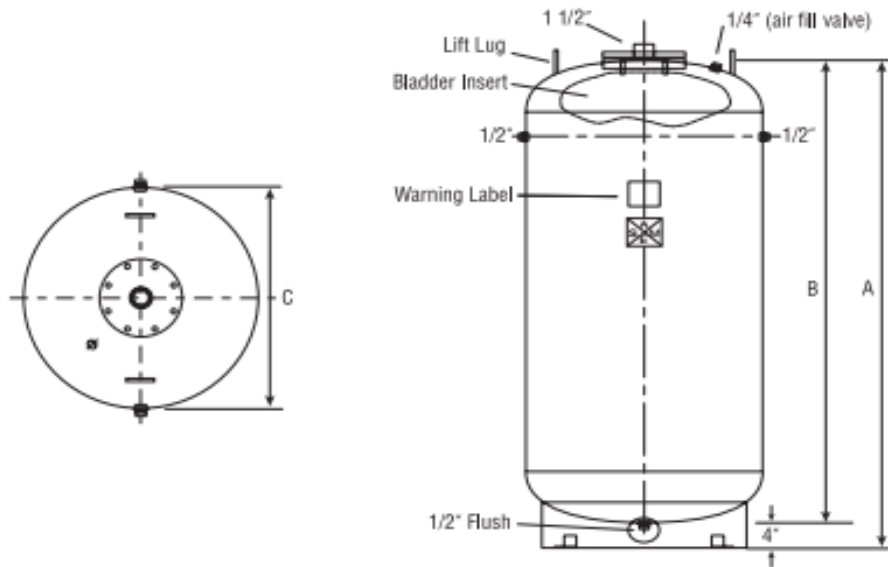
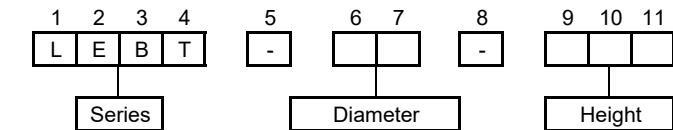
# Expansion Bladder Tank Pricing - Effective March 21, 2022

## Model LEBT

### Standard Features

- |  |  |  |
|--|--|--|
| <ul style="list-style-type: none"> <li>• ASME Code Sec VIII Div 1</li> <li>• NSF 61 bladder for potable water</li> <li>• 125 psi design pressure</li> <li>• 12 psi factory charge</li> <li>• 240°F maximum temperature</li> <li>• 4" skirt tank support</li> </ul> | <ul style="list-style-type: none"> <li>• Heavy duty butyl rubber replaceable bladder</li> <li>• Large flanged opening for easy bag replacement</li> <li>• Carbon steel heads, shell and couplings</li> <li>• Standard 1-year warranty</li> </ul> | <p>Optional stainless steel construction:</p> <ul style="list-style-type: none"> <li>• 316L tanks carry a limited 10-year tank warranty</li> <li>• Duplex tanks carry a limited 25-year tank warranty</li> </ul> |
|--|--|--|

### Model Nomenclature



Optional Construction
A- Carbon steel & 150 psi
B- Carbon steel & foam with topcoat
C- Carbon steel, 150 psi, & foam with topcoat
2- Duplex stainless steel
D- Duplex stainless steel & 150 psi
E- Duplex stainless steel & foam with topcoat
F- Duplex stainless steel, 150 psi, & foam / topcoat
3- 316L stainless steel
G- 316L stainless steel & 150 psi
H- 316L stainless steel & foam with topcoat
J- 316L stainless steel, 150psi, & foam / topcoat

\* Characters 12 and 13 are used for optional construction only.

### Dimensions and List Pricing

Carbon Steel Model	Capacity gallons	(A) Overall Height inches	(B) Tank Height inches	Diameter inches	Weight lbs	Carbon Steel Bare Tank List Price	Carbon Steel with Foam/Topcoat* Adder	150 psi* Adder
LEBT-30-063	175	67	63	30	340	\$8,844	\$3,011	\$1,850
LEBT-30-075	210	79	75	30	387	\$9,195	\$3,546	\$1,850
LEBT-30-085	240	89	85	30	520	\$9,397	\$4,013	\$1,850
LEBT-36-072	285	76	72	36	550	\$10,575	\$4,013	\$1,850
LEBT-36-078	310	82	78	36	588	\$10,715	\$4,414	\$1,850
LEBT-36-085	340	89	85	36	633	\$11,101	\$4,816	\$1,850
LEBT-36-090	360	94	90	36	664	\$11,222	\$5,016	\$1,850
LEBT-42-081	435	85	81	42	873	\$14,181	\$5,351	\$2,503
LEBT-42-084	455	88	84	42	905	\$14,292	\$5,552	\$2,503
LEBT-42-093	505	97	93	42	973	\$14,586	\$6,087	\$2,503
LEBT-48-073	500	77	73	48	1038	\$16,358	\$5,552	\$2,503
LEBT-48-096	675	100	96	48	1298	\$17,637	\$7,157	\$2,503
LEBT-48-108	765	112	108	48	1433	\$18,968	\$8,025	\$2,503
LEBT-48-120	860	124	120	48	1567	\$19,659	\$8,828	\$2,503
LEBT-48-141	1040	145	141	48	1805	\$21,629	\$10,300	\$2,503

\* Add appropriate 13th character to model number.

Stainless steel models are priced upon request.

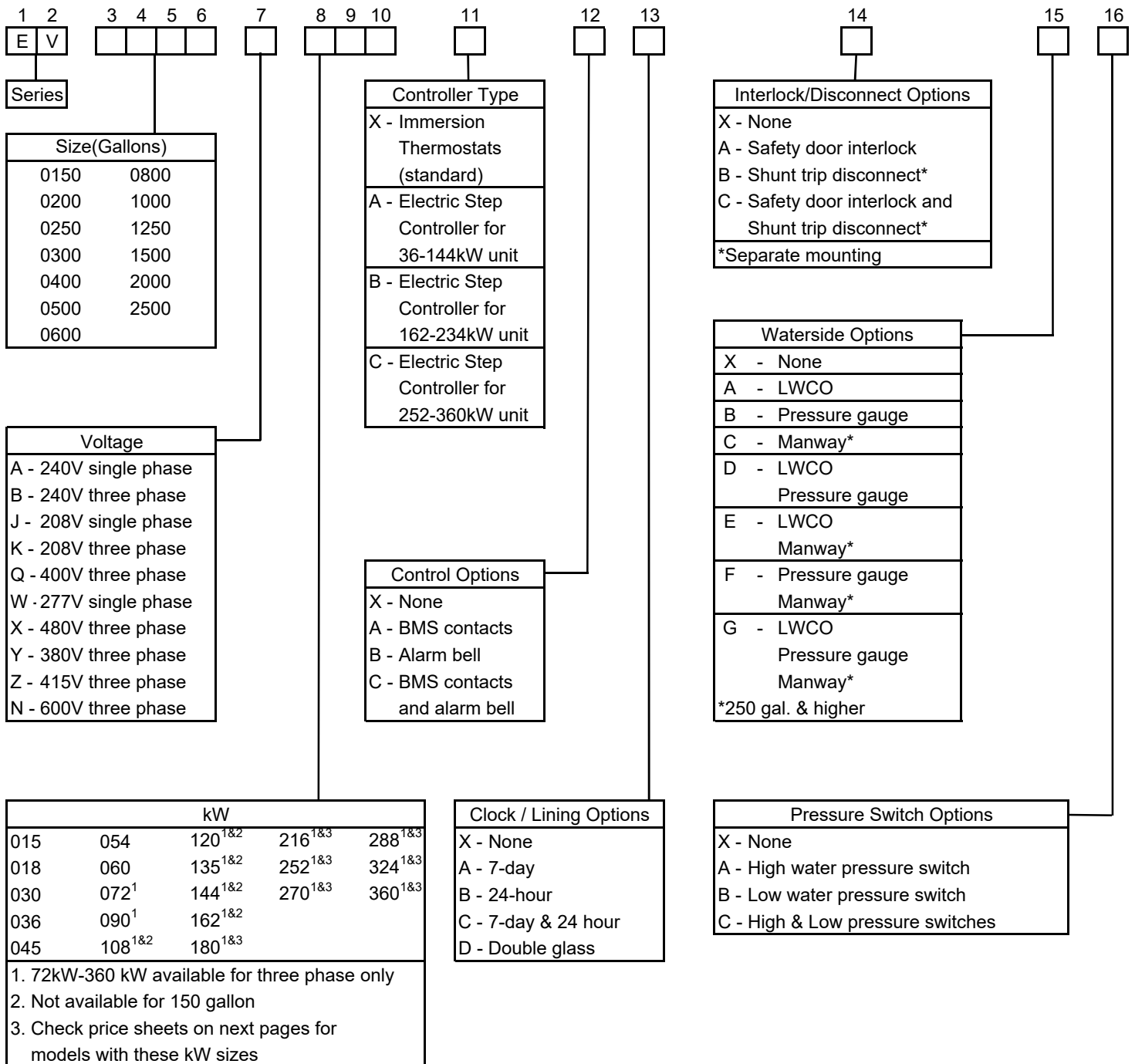
# Commercial Electric Water Heater Pricing - Effective March 21, 2022

## Model EV

### Standard Features

- 150 psi ASME code construction
- Approved for 180°F operation
- Glass-lined
- ASME temperature and pressure relief valve
- Internal fusing (above 120A)
- Magnetic contactors
- CSA Low lead certified
- Incoloy heating elements
- Painted steel jacket
- Insulation meets requirements of ASHRAE 90.1b
- Magnesium anode rods
- Immersion thermostats
- Digital temperature display
- Manual reset high limit
- Terminal block connections
- Channel iron skid base
- Hinged door with keyed lock
- Lifting lug access
- 3-year limited warranty with standard glass lining
- 6-year limited warranty with optional double glass lining
- Stainless steel options available

### Model Nomenclature

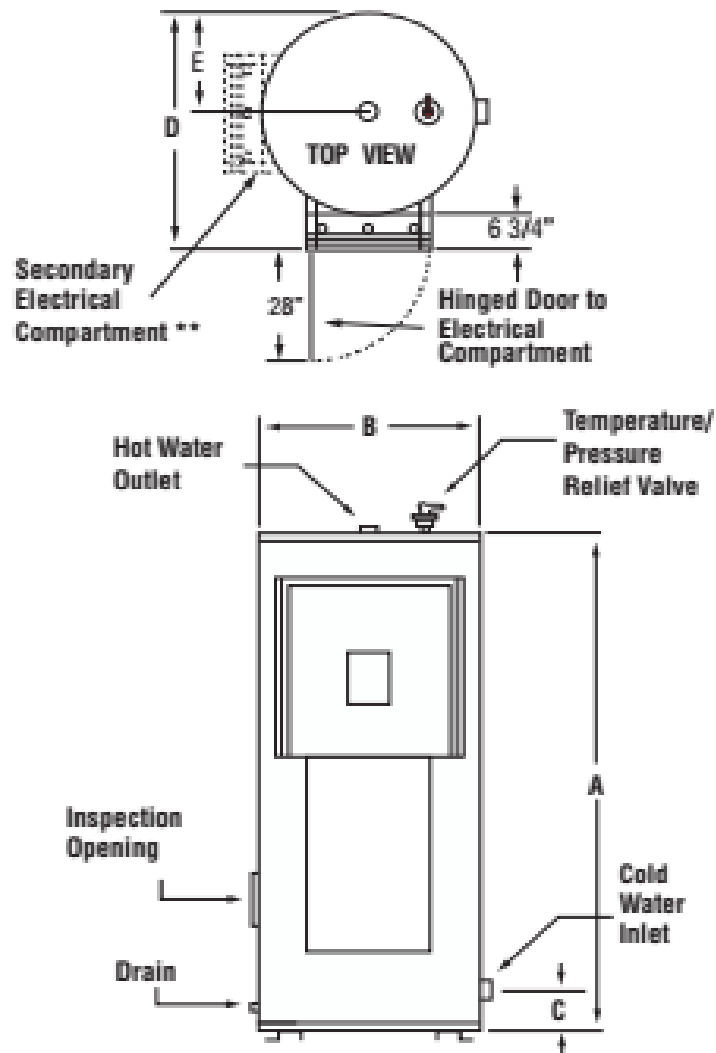


# Commercial Electric Water Heater Pricing - Effective March 21, 2022

## Model EV

### Dimensions

Model	Gallons	Max kW	A Floor to Heater Top	B Jacket Dia.	C Floor to Cold Water Inlet	D Depth	E Back of Heater to Hot Water Out	Water Connection	Approx. Ship Weight lbs
EV0150	150	90	67-1/2"	32"	7-3/4"	38-3/4"	16"	1-1/2" NPT	650
EV0200	200	162	80"	32"	7-3/4"	38-3/4"	17"	1-1/2" NPT	750
EV0250	250	162	92"	34"	19-1/2"	40-3/4"	17"	1-1/2" NPT	1165
EV0300	300	162	80"	40"	21"	40-3/4"	20"	2" NPT	1350
EV0400	400	162	80"	46"	22-1/2"	52-3/4"	23"	2" NPT	1590
EV0500	500	162	92"	46"	22-1/2"	52-3/4"	23"	2" NPT	1700
EV0600	600	216	92"	52"	24-1/2"	58-3/4"	26"	2-1/2" NPT	2010
EV0800	800	270	104"	52"	24-1/2"	58-3/4"	26"	2-1/2" NPT	2450
EV1000	1000	360	128"	52"	24-1/2"	58-3/4"	26"	2-1/2" NPT	3160
EV1250	1250	360	133"	58"	26"	64-3/4"	29"	3"	3792
EV1500	1500	360	129"	64"	27-1/2"	70-3/4"	32"	3"	4550
EV2000	2000	360	140"	70"	29-1/2"	76-3/4"	35"	3"	5460
EV2500	2500	360	144"	76"	30-1/2"	82-3/4"	38"	3"	6553



# Commercial Electric Water Heater Pricing - Effective March 21, 2022

## Model EV

### List Pricing

#### 208V, 240V, 277V Single or Three Phase\*

Gallons

Wattage	150	200	250	300	400	500	600	800	1000	1250	1500	2000	2500
15kW	\$18,446	\$19,313	\$19,895	\$21,241	\$26,891	\$31,017	\$34,456	\$40,094	\$45,015	\$62,435	\$73,425	\$83,979	\$101,648
18kW	\$18,607	\$19,473	\$20,054	\$21,404	\$27,052	\$31,180	\$34,617	\$40,249	\$45,179	\$62,435	\$73,425	\$83,979	\$101,648
30kW	\$19,096	\$19,919	\$20,564	\$21,830	\$27,493	\$31,632	\$35,046	\$40,702	\$45,619	\$63,098	\$74,090	\$84,695	\$102,311
36kW	\$19,515	\$20,294	\$21,159	\$22,172	\$27,770	\$31,866	\$35,289	\$40,915	\$45,849	\$63,762	\$74,757	\$85,414	\$102,974
45kW	\$20,736	\$21,987	\$22,905	\$23,875	\$29,255	\$33,083	\$36,289	\$41,484	\$46,376	\$64,686	\$75,926	\$86,584	\$104,144
54kW	\$21,992	\$23,253	\$24,168	\$25,136	\$30,516	\$34,337	\$37,547	\$42,756	\$47,530	\$65,610	\$77,096	\$98,231	\$105,313
60kW	\$22,180	\$23,433	\$24,348	\$25,317	\$30,701	\$34,528	\$37,735	\$43,549	\$48,264	\$67,486	\$78,266	\$99,399	\$106,483
72kW*	\$23,083	\$24,481	\$25,257	\$26,225	\$31,608	\$35,403	\$38,466	\$44,289	\$48,999	\$67,459	\$79,436	\$100,570	\$107,653
90kW*	\$24,128	\$25,529	\$26,390	\$27,287	\$32,599	\$36,436	\$39,247	\$44,973	\$49,710	\$70,846	\$82,823	\$93,480	\$111,729
108kW*	N/A	\$27,287	\$27,993	\$29,048	\$34,341	\$38,911	\$40,929	\$46,264	\$50,893	\$79,051	\$91,028	\$101,685	\$116,905
120kW*	N/A	\$27,517	\$28,225	\$29,257	\$34,563	\$39,235	\$41,144	\$46,497	\$51,109	\$80,293	\$92,580	\$103,416	\$120,033
135kW*	N/A	\$27,812	\$28,573	\$29,836	\$34,920	\$39,932	\$41,496	\$46,744	\$52,388	\$81,536	\$94,129	\$105,149	\$120,818
144kW*	N/A	\$28,344	\$29,029	\$30,065	\$35,456	\$40,649	\$41,623	\$46,982	\$52,615	\$82,781	\$95,683	\$106,882	\$121,605
162kW*	N/A	\$30,945	\$31,478	\$32,348	\$37,847	\$42,398	\$44,743	\$49,808	\$55,411	\$85,619	\$97,845	\$109,202	\$124,709
180kW*	N/A	N/A	N/A	N/A	\$40,118	\$44,941	\$52,380	\$59,232	\$64,725	\$88,461	\$100,005	\$111,522	\$127,876
216kW*	N/A	N/A	N/A	N/A	\$42,524	\$47,639	\$56,429	\$63,035	\$68,872	\$93,087	\$105,064	\$115,721	\$133,280
252kW*	N/A	N/A	N/A	N/A	N/A	N/A	N/A	\$67,443	\$73,910	\$99,097	\$110,258	\$120,744	\$137,951
270kW*	N/A	N/A	N/A	N/A	N/A	N/A	N/A	\$68,549	\$75,568	\$100,498	\$112,872	\$123,040	\$140,502
288kW*	N/A	N/A	N/A	N/A	N/A	N/A	N/A	N/A	\$77,094	\$101,899	\$115,474	\$125,336	\$143,053
324kW*	N/A	N/A	N/A	N/A	N/A	N/A	N/A	N/A	\$81,858	\$107,122	\$119,094	\$129,754	\$147,316
360kW*	N/A	N/A	N/A	N/A	N/A	N/A	N/A	N/A	N/A	\$110,859	\$122,801	\$136,099	\$152,919

\*72kW and higher available with three phase voltage only.

Stainless steel models are priced upon request

#### 308V, 400V, 415V, 480V, 600V Single or Three Phase\*

Gallons

Wattage	150	200	250	300	400	500	600	800	1000	1250	1500	2000	2500
15kW	\$17,598	\$18,648	\$19,247	\$20,535	\$26,602	\$30,921	\$33,235	\$37,980	\$42,989	\$55,731	\$70,058	\$80,905	\$98,450
18kW	\$17,843	\$18,895	\$19,491	\$20,779	\$26,846	\$31,168	\$33,480	\$38,095	\$43,097	\$55,731	\$72,153	\$80,905	\$98,450
30kW	\$18,369	\$19,327	\$20,189	\$21,322	\$27,408	\$31,765	\$34,022	\$38,622	\$43,707	\$55,731	\$72,882	\$82,588	\$100,140
36kW	\$18,637	\$19,599	\$20,470	\$21,659	\$27,657	\$32,015	\$34,262	\$38,863	\$43,923	\$56,418	\$73,613	\$84,370	\$101,830
45kW	\$19,294	\$20,759	\$21,812	\$22,907	\$28,665	\$32,794	\$35,078	\$39,480	\$44,470	\$57,109	\$74,497	\$85,163	\$102,715
54kW	\$19,880	\$21,346	\$22,398	\$23,493	\$29,252	\$33,379	\$35,662	\$40,243	\$45,406	\$57,518	\$75,381	\$86,038	\$103,597
60kW	\$20,449	\$21,915	\$22,968	\$24,063	\$29,821	\$33,950	\$36,232	\$40,775	\$45,923	\$57,932	\$76,263	\$86,920	\$104,480
72kW*	\$21,308	\$22,695	\$23,737	\$24,698	\$30,402	\$34,568	\$36,735	\$41,310	\$46,460	\$58,347	\$77,148	\$87,806	\$105,366
90kW*	\$21,825	\$23,257	\$24,251	\$25,298	\$30,892	\$35,015	\$37,204	\$41,752	\$46,916	\$58,761	\$78,915	\$89,574	\$107,133
108kW*	N/A	\$26,000	\$25,979	\$26,843	\$32,167	\$36,217	\$38,463	\$42,979	\$48,665	\$58,215	\$77,521	\$88,180	\$105,566
120kW*	N/A	\$26,138	\$26,117	\$26,980	\$32,305	\$36,355	\$38,601	\$43,245	\$48,924	\$65,067	\$78,306	\$89,327	\$106,329
135kW*	N/A	\$26,337	\$26,315	\$27,180	\$32,504	\$36,553	\$38,799	\$43,512	\$49,195	\$65,482	\$79,091	\$90,475	\$107,093
144kW*	N/A	\$26,866	\$26,832	\$27,539	\$33,028	\$37,019	\$39,160	\$43,785	\$49,459	\$65,897	\$79,876	\$91,623	\$107,860
162kW*	N/A	\$27,668	\$28,405	\$29,408	\$34,907	\$39,075	\$41,267	\$45,898	\$52,641	\$67,364	\$83,240	\$94,908	\$112,246
180kW*	N/A	N/A	N/A	N/A	\$40,118	\$44,941	\$49,671	\$54,245	\$61,192	\$72,326	\$85,554	\$97,147	\$115,587
216kW*	N/A	N/A	N/A	N/A	\$42,524	\$47,639	\$52,069	\$56,951	\$63,691	\$77,290	\$91,513	\$102,171	\$119,730
252kW*	N/A	N/A	N/A	N/A	N/A	N/A	N/A	\$60,540	\$67,305	\$80,400	\$94,363	\$106,195	\$123,289
270kW*	N/A	N/A	N/A	N/A	N/A	N/A	N/A	\$61,771	\$68,564	\$84,454	\$96,192	\$107,737	\$124,988
288kW*	N/A	N/A	N/A	N/A	N/A	N/A	N/A	N/A	\$69,911	\$85,912	\$98,021	\$109,278	\$126,692
324kW*	N/A	N/A	N/A	N/A	N/A	N/A	N/A	N/A	\$73,427	\$87,369	\$102,567	\$113,225	\$130,786
360kW*	N/A	N/A	N/A	N/A	N/A	N/A	N/A	N/A	N/A	\$90,574	\$106,799	\$117,651	\$135,802

\*72kW and higher available with three phase voltage only.

Stainless steel models are priced upon request

# Commercial Electric Water Heater Pricing - Effective March 21, 2022

## Model EV

### Options and Accessories

Controller Type - 11th character in model number	Character in Model Number	List Price
Immersion thermostat (standard)	X	no charge
Electric Step Controller for 1-4 Steps	A	\$1,247
Electric Step Controller for 5-8 Steps	B	\$3,006
Electric Step Controller for 9-12 steps	C	\$4,860

Control Options - 12th character in model number		
None (standard)	X	no charge
BMS contacts	A	\$431
Alarm bell	B	\$493
BMS contacts & alarm bell	C	\$924

Clock/Lining Options - 13th character in model number		
None (standard)	X	no charge
7-day	A	\$1,071
24-hour	B	\$604
7-day & 24-hour	C	\$1,675
Double glass lining	D	by size, below
Size (Gallons)	150	200
Double Glass Lining List Price Add	\$2,145	\$2,145
Size (Gallons)	250	300
Double Glass Lining List Price Add	\$2,145	\$2,937
Size (Gallons)	400	500
Double Glass Lining List Price Add	\$3,864	\$3,864
Size (Gallons)	600	800
Double Glass Lining List Price Add	\$5,281	\$5,281
Size (Gallons)	1000	1250
Double Glass Lining List Price Add	\$5,281	\$9,690
Size (Gallons)	1500	2000
Double Glass Lining List Price Add	\$11,771	\$16,722
Size (Gallons)	2500	3000
Double Glass Lining List Price Add	\$16,722	\$16,722

Interlock & Disconnect Options - 14th character in model number		
None (standard)	X	no charge
Safety door interlock	A	\$655
Shunt trip disconnect*	B	request price
Safety door interlock & Shunt trip disconnect*	C	request price

\*separate mounting

Waterside Options - 15th character in model number		
None (standard)	X	no charge
Low water cutoff	A	\$637
Pressure gauge	B	\$323
Manway*	C	\$1,921
Low water cutoff and pressure gauge	D	\$960
Low water cutoff and manway	E	\$2,558
Pressure gauge and manway	F	\$2,244
Low water cutoff, pressure gauge, and manway	G	\$2,881

\*Manway is available on units that are 250 gallons or larger only

Pressure Switch Options - 16th character in model number		
None (standard)	X	no charge
High water pressure switch	A	\$470
Low water pressure switch	B	\$470
High & low water pressure switches	C	\$940

<b>Seismic Bracing - Indicate zip code of installation - Order as separate line item</b>	KMP00200	Request Price
--	----------	---------------

# Commercial Electric Water Heater Pricing - Effective March 21, 2022

## Model EV

### Options and Accessories, Cont.

Lighted contactor switches (one lighted switch per contactor) - Order as separate line item per chart below:

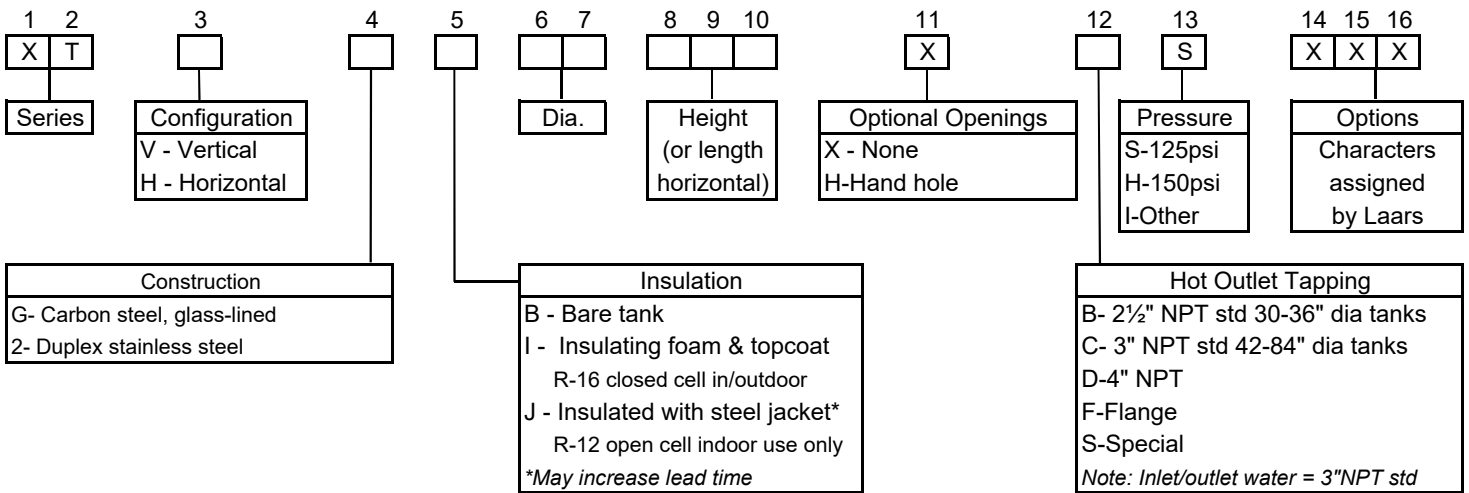
kW	208-277 Volts		380 Volts		400-600 volts	
	Part Number	List Price	Part Number	List Price	Part Number	List Price
15	KMP00101	\$629	KMP00101	\$629	KMP00101	\$629
18	KMP00102	\$1,258	KMP00101	\$629	KMP00101	\$629
30	KMP00102	\$1,258	KMP00101	\$629	KMP00101	\$629
36	KMP00104	\$2,516	KMP00102	\$1,258	KMP00102	\$1,258
45	KMP00103	\$1,887	KMP00102	\$1,258	KMP00102	\$1,258
54	KMP00106	\$3,774	KMP00102	\$1,258	KMP00102	\$1,258
60	KMP00112	\$7,548	KMP00106	\$3,774	KMP00106	\$3,774
72	KMP00108	\$5,032	KMP00104	\$2,516	KMP00104	\$2,516
90	KMP00106	\$3,774	KMP00104	\$2,516	KMP00103	\$1,887
108	KMP00112	\$7,548	KMP00106	\$3,774	KMP00104	\$2,516
120	KMP00108	\$5,032	KMP00108	\$5,032	KMP00104	\$2,516
135	KMP00109	\$5,661	KMP00106	\$3,774	KMP00106	\$3,774
144	KMP00116	\$10,064	KMP00108	\$5,032	KMP00108	\$5,032
162	KMP00118	\$11,322	KMP00109	\$5,661	KMP00106	\$3,774
180	KMP00120	\$12,580	KMP00110	\$6,290	KMP00110	\$6,290
216	KMP00124	\$15,096	KMP00108	\$5,032	KMP00108	\$5,032
252	KMP00128	\$17,612	KMP00114	\$8,806	KMP00114	\$8,806
270	KMP00130	\$18,870	KMP00110	\$6,290	KMP00110	\$6,290
288	KMP00132	\$20,128	KMP00116	\$10,064	KMP00116	\$10,064
324	KMP00136	\$22,644	KMP00112	\$7,548	KMP00112	\$7,548
360	KMP00140	\$25,160	KMP00120	\$12,580	KMP00120	\$12,580



# Hot Water Generator Pricing - Effective March 21, 2022

## Model XT

### Model Nomenclature



**Notes:**

1. Hot water generators are available in vertical and horizontal configurations, bare, jacketed/insulated or topcoated.
2. Prices shown in this section are for the tube bundles only, and do not include tank prices or control package prices.
3. For options, refer to the "Options" page in this price book. Manways are not required on hot water generators.
4. Saddles are mandatory for horizontal tanks. To add saddles, see the options page.
5. Contact our office for pricing of sizes that are not shown.
6. Alternate stainless steel compositions may be available.
7. Control packages for Steam-to-Water or Water-to-Water, self actuating, electronic or pneumatic are available. Contact Laars for pricing of control packages.
8. The first step in sizing a hot water generator is to know how much hot water is needed. To assist in selecting the correct tube bundle, please complete the following information and return it to our office at [Orders@Laars.com](mailto:Orders@Laars.com). We will calculate the bundle based on the information you provide.

***Because of the custom nature of these products, final package pricing must be confirmed by Laars before an order will be accepted.***

Heat Load: \_\_\_\_\_ Btu/hr (boiler output)

Tube Side:

- Fluid: Water or Steam
- Inlet Temperature: \_\_\_\_\_ °F (Steam Inlet Pressure) \_\_\_\_\_ psi
- Outlet Temperature: \_\_\_\_\_ °F
- Flow Rate: \_\_\_\_\_ gpm (Steam \_\_\_\_\_ Lbs/hr)

Tank Side:

- Pressure: \_\_\_\_\_ Tank fluid - water
- Inlet Temperature: \_\_\_\_\_ °F
- Outlet Temperature: \_\_\_\_\_ °F
- Recovery Rate: \_\_\_\_\_ gph

To determine standard hot water generator pricing, add tank price to desired tube bundle price. Tube bundle pricing includes tube sheet, flanged neck, and cast iron head. Saddle prices shown on options page must be added to horizontal tanks. Water-to-steam and steam-to-water controls are available. Contact us for sizing and prices.

# Hot Water Generator Pricing - Effective March 21, 2022

## Model XT

**List Pricing - Tube Bundles Only - Add to Tank List Price - Controls Priced Separately**

**IMPORTANT NOTE: Because of the custom nature of these products, final package pricing must be confirmed by Laars before an order will be accepted.**

Tube Bundle	Single Wall	Double Wall
04-12	\$4,147	\$6,569
04-18	\$4,409	\$6,831
04-24	\$4,676	\$7,099
04-30	\$5,096	\$7,518
04-36	\$5,360	\$7,782
04-42	\$5,611	\$8,033
04-48	\$5,872	\$8,294
04-54	\$6,124	\$8,546
04-60	\$6,389	\$8,811
04-66	\$6,660	\$9,082
04-72	\$6,915	\$9,337
04-78	\$7,223	\$9,645
04-84	\$7,530	\$9,952
04-90	\$7,863	\$10,285
04-96	\$8,199	\$10,621

Tube Bundle	Single Wall	Double Wall
06-12	\$5,986	\$10,383
06-18	\$6,262	\$10,658
06-24	\$6,964	\$11,361
06-30	\$7,536	\$11,933
06-36	\$8,006	\$12,403
06-42	\$8,474	\$12,871
06-48	\$8,976	\$13,373
06-54	\$9,408	\$13,805
06-60	\$9,856	\$14,253
06-66	\$10,392	\$14,852
06-72	\$10,818	\$15,214
06-78	\$11,070	\$15,467
06-84	\$11,321	\$15,718
06-90	\$12,012	\$16,409
06-96	\$12,702	\$17,099

Tube Bundle	Single Wall	Double Wall
08-18	\$8,174	\$14,856
08-24	\$9,253	\$15,935
08-30	\$10,249	\$16,930
08-36	\$11,120	\$17,802
08-42	\$12,097	\$18,778
08-48	\$13,072	\$19,754
08-54	\$14,047	\$20,729
08-60	\$15,138	\$21,819
08-66	\$15,961	\$22,643
08-72	\$16,798	\$23,480
08-78	\$17,716	\$24,398
08-84	\$18,632	\$25,313
08-90	\$20,015	\$26,697
08-96	\$21,397	\$28,079

Tube Bundle	Single Wall	Double Wall
10-24	\$12,375	\$21,374
10-30	\$13,845	\$22,844
10-36	\$15,211	\$24,210
10-42	\$16,591	\$25,590
10-48	\$18,015	\$27,013
10-54	\$19,406	\$28,405
10-60	\$20,806	\$29,805
10-66	\$22,229	\$31,228
10-72	\$23,566	\$32,565
10-78	\$24,941	\$33,940
10-84	\$26,317	\$35,316
10-90	\$27,717	\$36,716
10-96	\$29,118	\$38,117
10-102	\$30,521	\$39,520
10-108	\$31,924	\$40,922

Tube Bundle	Single Wall	Double Wall
12-36	\$18,797	\$32,629
12-42	\$20,626	\$34,458
12-48	\$22,450	\$36,282
12-54	\$24,245	\$38,076
12-60	\$26,028	\$39,859
12-66	\$27,826	\$41,658
12-72	\$29,633	\$43,465
12-78	\$31,447	\$45,278
12-84	\$33,237	\$47,069
12-90	\$35,051	\$48,882
12-96	\$36,866	\$50,698
12-102	\$38,654	\$52,486
12-108	\$40,441	\$54,272
12-114	\$42,226	\$56,057
12-120	\$44,010	\$57,841

Tube Bundle	Single Wall	Double Wall
14-36	\$23,771	\$43,267
14-42	\$25,992	\$45,488
14-48	\$28,063	\$47,559
14-54	\$30,290	\$49,786
14-60	\$32,313	\$51,809
14-66	\$34,450	\$53,946
14-72	\$36,674	\$56,170
14-78	\$38,773	\$58,269
14-84	\$40,966	\$60,462
14-90	\$43,011	\$62,507
14-96	\$45,055	\$64,551
14-102	\$47,210	\$66,706
14-108	\$49,365	\$68,861
14-114	\$51,520	\$71,016
14-120	\$53,674	\$73,170

Tube Bundle	Single Wall	Double Wall
16-36	\$27,947	\$51,926
16-42	\$30,526	\$54,506
16-48	\$32,887	\$56,867
16-54	\$35,619	\$59,599
16-60	\$38,028	\$62,007
16-72	\$43,168	\$67,148
16-84	\$48,223	\$72,203
16-96	\$53,454	\$77,433
16-108	\$58,568	\$82,548
16-120	\$63,499	\$87,479

Notes:

1. Standard tube bundles have 316L stainless steel tube sheets.
2. Pricing is not for replacement tube bundles. For replacement tube bundles, contact us.
3. For total list price, tank, tube bundle, controls, and other options are added together.

**Because of the custom nature of these products, final package pricing must be confirmed by Laars before an order will be accepted.**



