

Large Volume Tank Products Pricing and Ordering

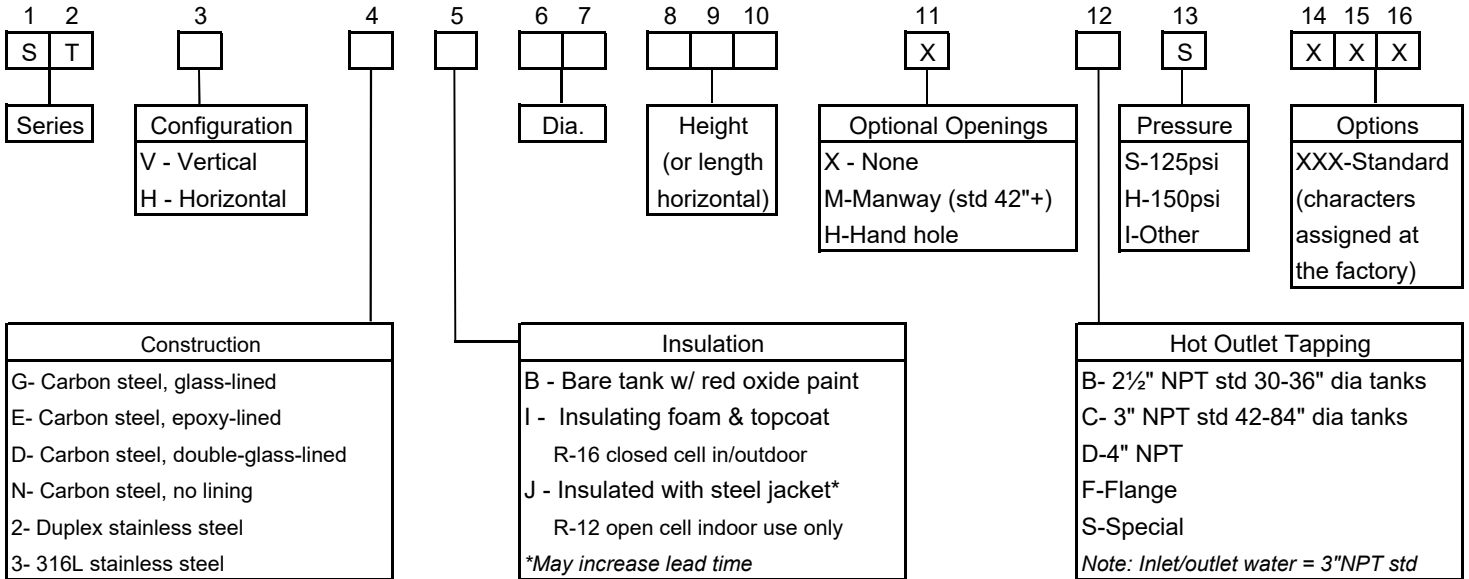
Large Volume Storage Tanks, Model ST 2
Chilled Water Buffer Tanks, Model BT 7
Hydraulic Separators / Hot Water Buffer Tanks, Model HT..... 9
Options for Models ST, BT, HT & XT 10
Expansion Bladder Tanks, Model LEBT 11
Commercial Electric Water Heater, Model EV 12
Hot Water Generator, Model XT 17



Large Volume Storage Tank Pricing - Effective December 6, 2021

Model ST

Model Nomenclature



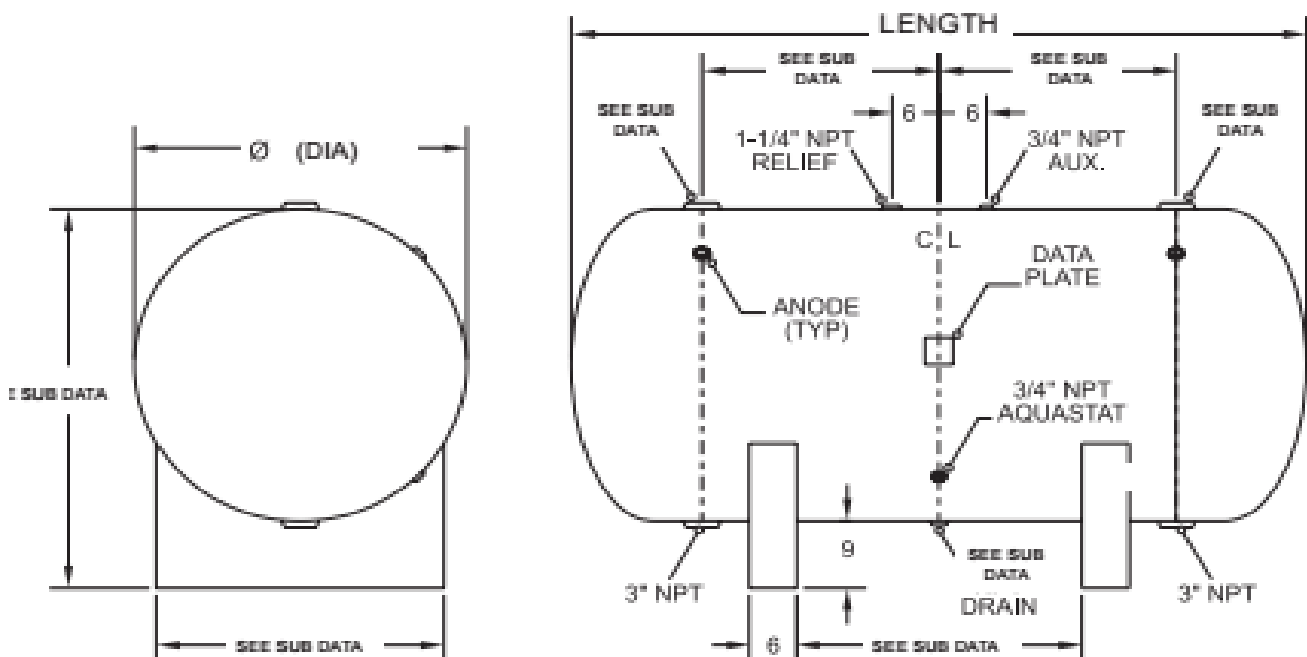
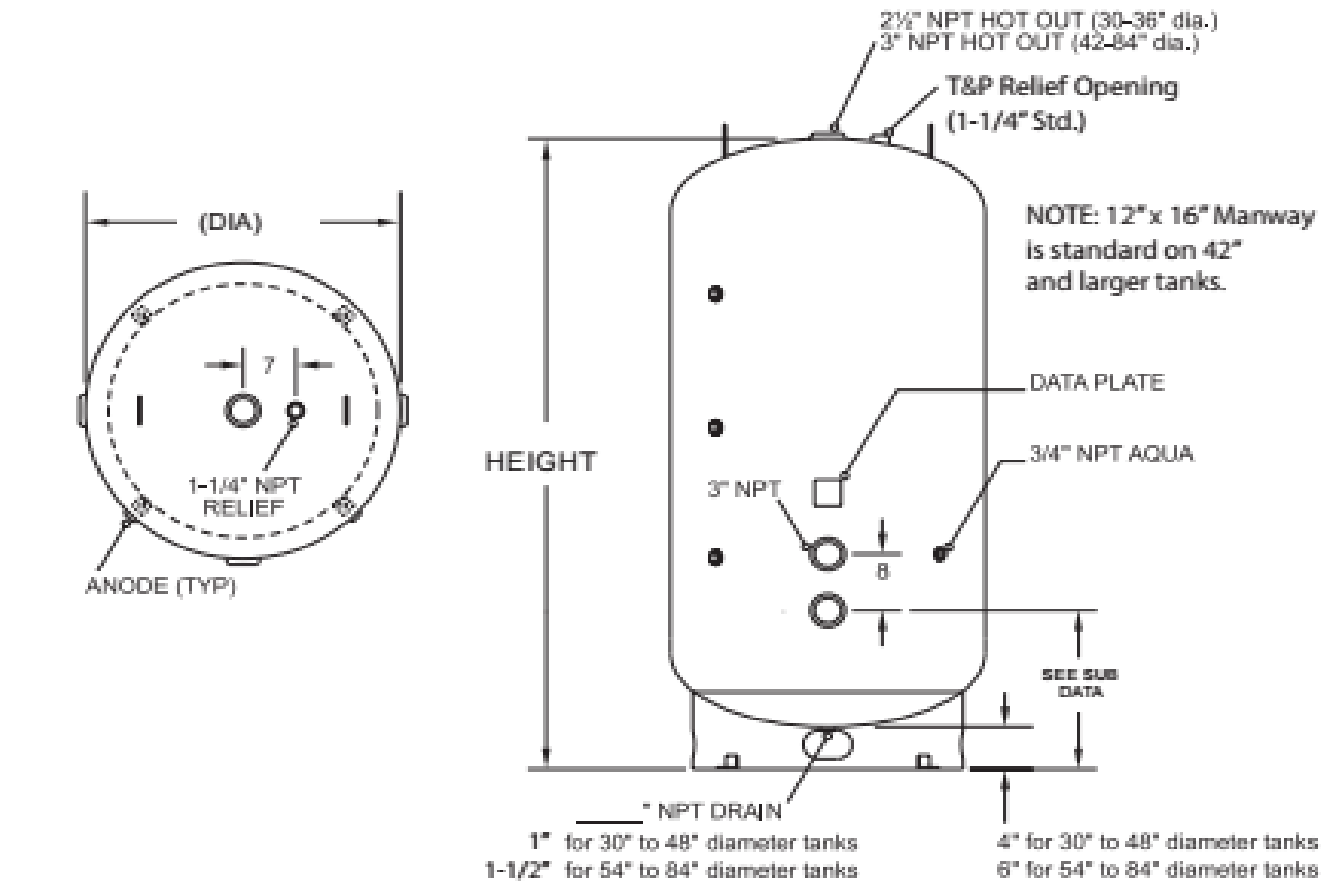
Notes:

- Any tank may be customized with the options and accessories shown in this document.
- Up to 48" diameter tanks use a 4" skirt. 54" diameter and larger tanks use a 6" skirt.
- Saddles are mandatory for horizontal tanks. To add for saddles, see the custom tank options page.
- Carbon steel tanks are built with anode rods.
- Larger diameter tanks may be available. Call factory.
- Alternate stainless steel compositions may be available. Call factory.
- If desired, dedicated cold water makeup tapplings can be ordered. See the options and accessories page.
- Warranties:
 - Carbon steel glass-lined carries a 5-year limited tank warranty.
 - Carbon steel double-glass-lined carries a 10-year limited tank warranty.
 - Carbon steel epoxy-lined or unlined carry a 1-year limited tank warranty.
 - Duplex stainless steel construction carries a 25-year limited tank warranty.
 - 316L stainless steel construction carries a 10-year limited tank warranty.
 - See warranty documents for details.

Large Volume Storage Tank Pricing - Effective December 6, 2021

Model ST

Dimensional Drawing



Large Volume Storage Tank Pricing - Effective December 6, 2021

Model ST

Model Data

ST Model Size	Nominal Gallons	Actual Gallons	Bare Tank Weight, lbs.		Topcoated Tank Weight, lbs.		Jacketed Tank Weight, lbs.	
			Vertical	Horizontal	Vertical	Horizontal	Vertical	Horizontal
3 0 0 6 3	193	175	340	365	340	365	548	570
3 0 0 7 5	229	210	387	412	387	412	613	613
3 0 0 8 5	260	240	420	545	420	545	673	755
3 0 0 9 9	303	280	483	508	483	508	700	728
3 0 1 1 1	340	320	530	555	530	555	730	774
3 6 0 7 2	317	285	550	576	550	576	714	776
3 6 0 7 8	344	310	588	614	588	614	782	827
3 6 0 8 5	375	340	633	659	633	659	845	876
3 6 0 9 0	397	360	664	690	664	690	894	935
3 6 1 0 2	449	415	742	768	742	768	982	1016
3 6 1 1 4	502	465	818	884	818	884	1106	1157
3 6 1 2 6	555	515	894	920	894	920	1194	1260
4 2 0 8 1	486	435	783	810	783	810	1024	1110
4 2 0 8 4	504	453	805	832	805	832	1074	1049
4 2 0 9 3	558	505	874	874	874	874	1168	1181
4 2 1 0 5	630	575	963	900	963	900	1292	1263
4 2 1 1 7	702	645	1052	984	1052	984	1392	1352
4 2 1 2 9	774	720	1140	1068	1140	1068	1498	1460
4 2 1 3 9	846	790	1217	1138	1217	1138	1587	1547
4 8 0 7 3	572	500	1038	1090	1038	1090	1381	1449
4 8 0 8 4	658	580	1161	1213	1161	1213	1539	1593
4 8 0 9 6	752	675	1298	1350	1298	1350	1653	1750
4 8 1 0 8	846	765	1433	1485	1433	1485	1803	1803
4 8 1 1 6	909	836	1522	*	1522	*	*	*
4 8 1 2 0	940	860	1567	1619	1567	1619	1947	2069
4 8 1 4 1	1128	1040	1805	1857	1805	1857	2216	2407
4 8 1 6 8	1306	1225	2186	2160	2186	2160	n/a	n/a
5 4 0 9 9	981	875	1596	1696	1596	1696	2200	2275
5 4 1 1 3	1119	1000	1827	*	1827	*	2400	2475
5 4 1 2 3	1219	1110	1889	2124	1889	2124	2575	2650
5 4 1 3 4	1327	1200	1969	2252	1969	2252	*	2825
5 4 1 4 7	1457	1340	2182	2306	2182	2306	n/a	n/a
5 4 1 5 6	1545	1442	*	2364	*	2419	n/a	n/a
5 4 1 6 0	1585	1481	2402	*	2402	*	n/a	n/a
5 4 1 6 5	1635	1500	2484	2734	2484	2734	n/a	n/a
5 4 1 8 3	1814	1690	2722	2972	2722	2972	n/a	n/a
6 0 0 9 6	1174	1000	2007	2548	2007	2548	2600	2675
6 0 1 1 4	1395	1245	2376	2648	2376	2648	3050	3050
6 0 1 2 8	1565	1430	*	2736	*	2736	3175	*
6 0 1 3 8	1689	1530	2797	2829	2797	2829	3500	3575
6 0 1 6 8	1983	1820	3210	3560	3210	3560	n/a	n/a
6 0 1 7 7	2165	2000	3481	3491	3481	3491	n/a	n/a
6 0 1 8 6	2276	2105	3639	*	3639	*	n/a	n/a
6 0 2 1 0	2570	2395	3922	4172	3922	4172	n/a	n/a
7 2 0 9 4	1655	1433	2551	*	2551	*	*	*
7 2 1 0 0	1761	1538	2677	2942	2677	2942	*	*
7 2 1 1 7	2061	1800	3035	3305	3035	3305	*	*
7 2 1 2 0	2115	1865	3099	3369	3099	3369	*	*
7 2 1 2 8	2256	2000	3267	3540	3267	3540	*	*
7 2 1 4 4	2538	2285	3304	3881	3304	3881	n/a	n/a
7 2 1 5 7	2765	2500	3878	4105	3878	4105	n/a	n/a
7 2 1 6 8	2959	2727	4110	4394	4110	4394	n/a	n/a
7 2 1 9 2	3382	3147	4616	4852	4616	4852	n/a	n/a
7 2 2 1 6	3805	3567	5122	5418	5122	5418	n/a	n/a
7 2 2 5 0	4404	4162	5616	6144	5616	6144	n/a	n/a
8 4 1 2 1	2901	2500	4265	4684	4265	4684	n/a	n/a
8 4 1 3 8	3308	2915	4747	5196	4747	5196	n/a	n/a
8 4 1 6 2	3884	3480	5428	5902	5428	5902	n/a	n/a
8 4 1 8 6	4459	4045	6109	6614	6109	6614	n/a	n/a
8 4 2 1 0	5038	4610	6789	7327	6789	7327	n/a	n/a
8 4 2 5 6	6138	5695	8094	8693	8094	8693	n/a	n/a

*Contact Factory

Large Volume Storage Tank Pricing - Effective December 6, 2021

Model ST

List Pricing

Model	Nom. Gal.	Act. Gal.	Model Character 4					Model Character 5		
			"G" Standard Glass Lined List Price	"E" Epoxy Lined Adder	"D" Double Glass Lined Adder	"2" Duplex Stainless Adder	"3" 316L Stainless Adder	"B" Bare Rex Oxide Paint	"I" Insulating Topcoat Adder	"J" Insulated Steel Jacket Adder
S T # # # 3 0 0 6 3	193	175	\$8,884	\$83	\$2,023	\$15,284	\$14,076	standard	\$2,688	\$4,579
S T # # # 3 0 0 7 5	229	210	\$9,269	\$87	\$2,023	\$16,046	\$14,779	standard	\$3,166	\$4,897
S T # # # 3 0 0 8 5	260	240	\$9,730	\$90	\$2,023	\$16,443	\$15,133	standard	\$3,583	\$5,505
S T # # # 3 0 0 9 9	303	280	\$10,270	\$96	\$2,023	\$17,177	\$15,805	standard	\$4,121	\$5,706
S T # # # 3 0 1 1 1	340	320	\$10,696	\$101	\$2,023	\$17,845	\$16,419	standard	\$4,540	\$5,733
S T # # # 3 6 0 7 2	317	285	\$11,447	\$107	\$2,768	\$16,232	\$14,849	standard	\$3,583	\$5,851
S T # # # 3 6 0 7 8	344	310	\$11,784	\$110	\$2,768	\$16,364	\$14,956	standard	\$3,941	\$6,175
S T # # # 3 6 0 8 5	375	340	\$12,389	\$116	\$2,768	\$16,551	\$15,115	standard	\$4,300	\$6,362
S T # # # 3 6 0 9 0	397	360	\$12,611	\$117	\$2,768	\$16,738	\$15,272	standard	\$4,479	\$6,402
S T # # # 3 6 1 0 2	449	415	\$13,241	\$123	\$2,768	\$20,052	\$18,387	standard	\$5,076	\$6,465
S T # # # 3 6 1 1 4	502	465	\$13,778	\$129	\$2,768	\$22,086	\$20,292	standard	\$5,674	\$6,872
S T # # # 3 6 1 2 6	555	515	\$14,409	\$135	\$2,768	\$24,029	\$22,106	standard	\$6,212	\$7,355
S T # # # 4 2 0 8 1	486	435	\$14,462	\$135	\$3,640	\$29,464	\$27,245	standard	\$4,778	\$7,900
S T # # # 4 2 0 8 4	504	453	\$14,915	\$140	\$3,640	\$29,464	\$27,245	standard	\$4,957	\$8,580
S T # # # 4 2 0 9 3	558	505	\$15,382	\$143	\$3,640	\$29,630	\$27,380	standard	\$5,435	\$9,077
S T # # # 4 2 1 0 5	630	575	\$16,105	\$151	\$3,640	\$29,749	\$27,457	standard	\$6,212	\$9,593
S T # # # 4 2 1 1 7	702	645	\$16,724	\$156	\$3,640	\$29,973	\$27,637	standard	\$6,748	\$9,802
S T # # # 4 2 1 2 9	774	720	\$17,439	\$163	\$3,640	\$30,100	\$27,725	standard	\$7,405	\$9,859
S T # # # 4 2 1 3 9	846	790	\$18,090	\$169	\$3,640	\$30,294	\$27,876	standard	\$7,942	\$9,950
S T # # # 4 8 0 7 3	572	500	\$17,985	\$168	\$4,974	\$26,368	\$24,150	standard	\$4,957	\$9,097
S T # # # 4 8 0 8 4	658	580	\$19,202	\$180	\$4,974	\$27,651	\$25,307	standard	\$5,674	\$10,007
S T # # # 4 8 0 9 6	752	675	\$20,913	\$195	\$4,974	\$28,665	\$26,187	standard	\$6,390	\$11,008
S T # # # 4 8 1 0 8	846	765	\$22,315	\$208	\$4,974	\$29,991	\$27,375	standard	\$7,165	\$12,108
S T # # # 4 8 1 1 6	909	836	\$23,445	\$218	\$4,974	\$31,588	\$28,839	standard	\$7,704	\$13,319
S T # # # 4 8 1 2 0	940	860	\$24,575	\$230	\$4,974	\$35,228	\$32,238	standard	\$7,882	\$14,652
S T # # # 4 8 1 4 1	1128	1040	\$27,484	\$257	\$4,974	\$37,796	\$34,533	standard	\$9,196	\$16,116
S T # # # 4 8 1 6 8	1306	1225	\$30,630	\$285	\$4,974	*	*	standard	\$10,928	*
S T # # # 5 4 0 9 9	981	875	\$32,190	\$300	\$9,128	*	*	standard	\$7,405	\$16,980
S T # # # 5 4 1 1 3	1119	1000	\$33,814	\$314	\$9,128	*	*	standard	\$8,241	\$18,981
S T # # # 5 4 1 2 3	1219	1110	\$35,436	\$331	\$9,128	*	*	standard	\$9,077	\$21,070
S T # # # 5 4 1 3 4	1327	1200	\$38,984	\$363	\$9,128	*	*	standard	\$10,093	\$24,300
S T # # # 5 4 1 4 7	1457	1340	\$39,882	\$372	\$9,128	*	*	standard	\$10,809	*
S T # # # 5 4 1 5 6	1545	1442	\$40,466	\$378	\$9,128	*	*	standard	\$11,168	*
S T # # # 5 4 1 6 0	1585	1481	\$41,052	\$382	\$9,128	*	*	standard	\$11,585	*
S T # # # 5 4 1 6 5	1635	1500	\$42,154	\$392	\$9,128	*	*	standard	\$12,003	*
S T # # # 5 4 1 8 3	1814	1690	\$44,607	\$415	\$9,128	*	*	standard	\$13,317	*

* Contact Factory

Model character 3:

V for vertical

H for horizontal (saddles must be added, and are not included in the tank price - see options page)

Model character 4:

G for carbon steel glass-lined (standard)

E for carbon steel epoxy-lined

D for carbon steel double-glass-lined

2 for duplex stainless steel

3 for 316L stainless steel

N for unlined carbon steel (priced upon request)

Model character 5:

B for bare tank (standard)

I for insulating topcoat

J for insulated steel jacket

Large Volume Storage Tank Pricing - Effective December 6, 2021

Model ST

List Pricing

Model	Nom. Gal.	Act. Gal.	Model Character 4					Model Character 5		
			"G" Standard Glass Lined List Price	"E" Epoxy Lined Adder	"D" Double Glass Lined Adder	"2" Duplex Stainless Adder	"3" 316L Stainless Adder	"B" Bare Rex Oxide Paint	"I" Insulating Topcoat Adder	"J" Insulation and Jacket Adder
S T # # # 6 0 0 9 6	1174	1000	\$41,156	\$384	\$11,087	*	*	standard	\$8,898	\$21,954
S T # # # 6 0 1 1 4	1395	1245	\$45,948	\$428	\$11,087	*	*	standard	\$9,376	\$22,422
S T # # # 6 0 1 2 8	1565	1430	\$48,351	\$451	\$11,087	*	*	standard	\$10,331	\$23,623
S T # # # 6 0 1 3 8	1689	1530	\$50,754	\$473	\$11,087	*	*	standard	\$11,287	\$24,899
S T # # # 6 0 1 6 8	1983	1820	\$55,051	\$513	\$11,087	*	*	standard	\$13,615	*
S T # # # 6 0 1 7 7	2165	2000	\$57,695	\$537	\$11,087	*	*	standard	\$14,630	*
S T # # # 6 0 1 8 6	2276	2105	\$60,339	\$562	\$11,087	*	*	standard	\$15,048	*
S T # # # 6 0 2 1 0	2570	2395	\$65,021	\$605	\$11,087	*	*	standard	\$16,899	*
S T # # # 7 2 0 9 4	1655	1433	\$49,495	\$461	\$15,752	*	*	standard	\$10,391	\$26,212
S T # # # 7 2 1 0 0	1761	1538	\$50,028	\$466	\$15,752	*	*	standard	\$10,569	\$26,814
S T # # # 7 2 1 1 7	2061	1800	\$54,646	\$509	\$15,752	*	*	standard	\$12,182	\$27,414
S T # # # 7 2 1 2 0	2115	1865	\$55,271	\$514	\$15,752	*	*	standard	\$12,688	\$27,991
S T # # # 7 2 1 2 8	2256	2000	\$55,866	\$521	\$15,752	*	*	standard	\$13,197	\$28,615
S T # # # 7 2 1 4 4	2538	2285	\$60,576	\$563	\$15,752	*	*	standard	\$14,093	*
S T # # # 7 2 1 5 7	2765	2500	\$64,177	\$598	\$15,752	*	*	standard	\$15,884	*
S T # # # 7 2 1 6 8	2959	2727	\$66,188	\$616	\$15,752	*	*	standard	\$16,363	*
S T # # # 7 2 1 9 2	3382	3147	\$73,418	\$683	\$15,752	*	*	standard	\$18,571	*
S T # # # 7 2 2 1 6	3805	3567	\$78,506	\$731	\$15,752	*	*	standard	\$20,840	*
S T # # # 7 2 2 5 0	4404	4162	\$85,912	\$800	\$15,752	*	*	standard	\$24,006	*
S T # # # 8 4 1 2 1	2901	2500	\$75,315	\$702	\$18,732	*	*	standard	\$14,750	*
S T # # # 8 4 1 3 8	3308	2915	\$82,958	\$772	\$18,732	*	*	standard	\$15,765	*
S T # # # 8 4 1 6 2	3884	3480	\$92,656	\$862	\$18,732	*	*	standard	\$18,393	*
S T # # # 8 4 1 8 6	4459	4045	\$99,450	\$926	\$18,732	*	*	standard	\$21,020	*
S T # # # 8 4 2 1 0	5038	4610	\$107,344	\$998	\$18,732	*	*	standard	\$23,647	*
S T # # # 8 4 2 5 6	6138	5695	\$121,836	\$1,133	\$18,732	*	*	standard	\$28,663	*

* Contact Factory

Model character 3:

V for vertical

H for horizontal (saddles must be added, and are not included in the tank price - see options page)

Model character 4:

G for carbon steel glass-lined (standard)

E for carbon steel epoxy-lined

D for carbon steel double-glass-lined

2 for duplex stainless steel

3 for 316L stainless steel

N for unlined carbon steel (priced upon request)

Model character 5:

B for bare tank (standard)

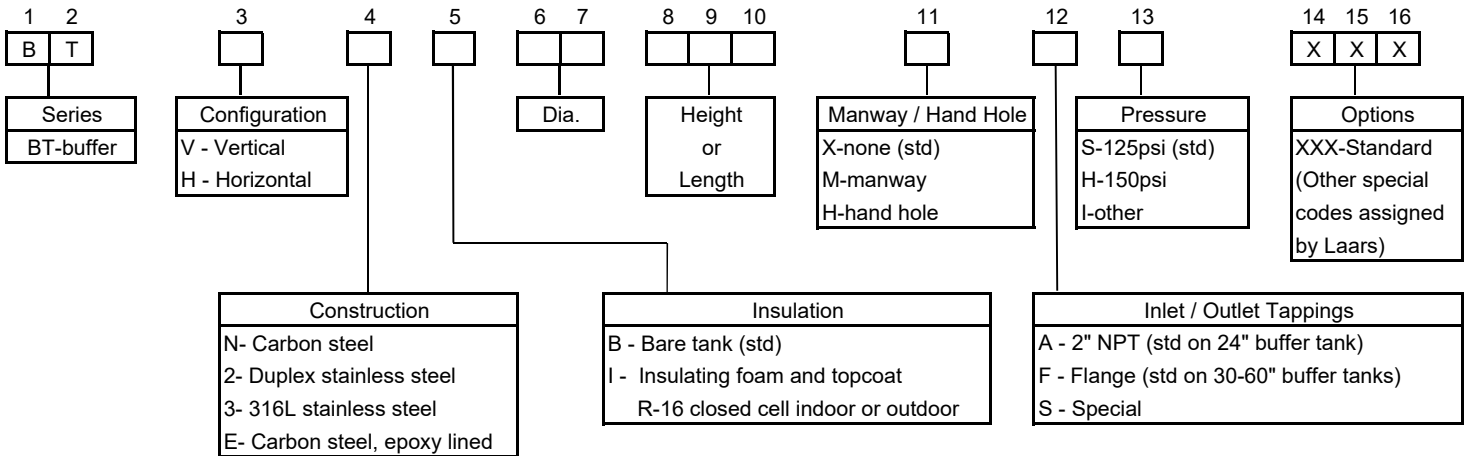
I for insulating topcoat

J for insulated steel jacket

Chilled Water Buffer Tank Pricing - Effective December 6, 2021

Model BT

Model Nomenclature

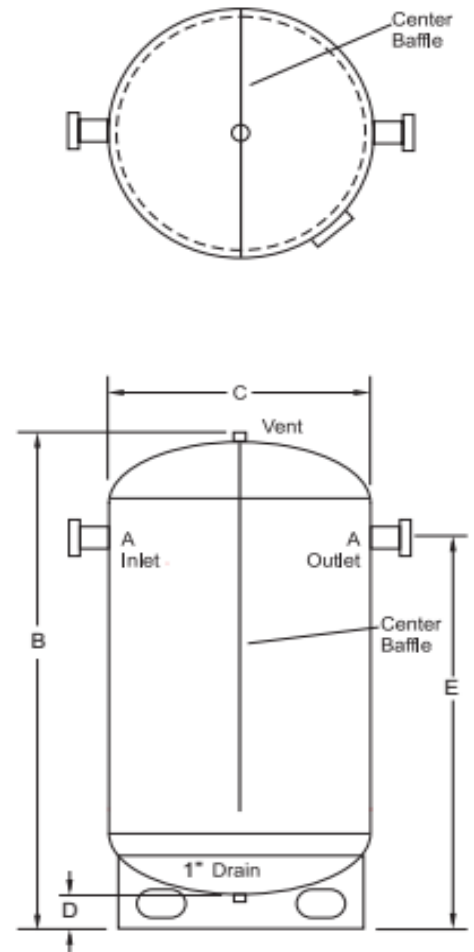


NOTES:

1. Standard tank is vertical, built less manway or hand hole, with base ring, 125 psi.
2. Manways are not required on chilled water buffer tanks.
3. Tanks are certified ASME Section VIII, Div 1 Code.
4. Optional foam and topcoat has R-16 value.
5. Vertical tanks are welded into 4" or 6" base ring.
6. Vertical tanks are supplied with center baffle.

7. Add saddles to horizontal tanks. See "Tank Options" page.
8. Custom sizes/materials may be available upon request.
9. Warranties:
 - Carbon steel carries a 1-year limited tank warranty.
 - Duplex construction carries a 25-year limited tank warranty.
 - 316L construction carries a 10-year limited tank warranty.

Carbon Steel Unlined Model			Capacity Gallons	A	B in.	C in.	D in.	E in.	Weight lbs
B T #	2 4	0 7 2	130	2" NPT	76	24	4	63.63	375
B T #	3 0	0 7 5	210	3" FLG	79	30	4	63.38	425
B T #	3 6	0 7 2	300	4" FLG	76	36	4	59.75	633
B T #	3 6	0 9 0	360	4" FLG	94	36	4	77.75	715
B T #	4 2	0 7 2	380	4" FLG	76	42	4	58.25	1250
B T #	4 2	0 8 4	460	4" FLG	88	42	4	70.25	1250
B T #	4 2	0 9 0	500	4" FLG	94	42	4	76.25	1300
B T #	4 2	1 0 0	550	4" FLG	104	42	4	85.00	1425
B T #	4 8	0 7 3	500	6" FLG	77	48	4	56.25	1150
B T #	4 8	0 8 4	588	6" FLG	88	48	4	64.50	1425
B T #	4 8	0 9 0	600	6" FLG	94	48	4	73.25	1765
B T #	4 8	0 9 6	675	6" FLG	102	48	4	79.25	1885
B T #	4 8	1 4 1	1000	6" FLG	145	48	4	124.25	1957
B T #	5 4	0 9 6	850	6" FLG	102	54	6	79.63	1630
B T #	5 4	1 4 7	1350	6" FLG	163	54	6	132.00	2800
B T #	5 4	1 6 5	1530	6" FLG	161	54	6	147.50	3100
B T #	6 0	0 9 6	1040	8" FLG	102	60	6	76.75	2280
B T #	6 0	1 3 5	1500	8" FLG	142	60	6	104.00	3375
B T #	6 0	1 7 7	2000	8" FLG	183	60	6	155.00	4225



Chilled Water Buffer Tank Pricing - Effective December 6, 2021

Model BT

List Prices

Model	Capacity Gallons	Standard Bare Tank List Price	Model Character 4				Model Character 5	
			" N " Carbon Steel	" 2 " Duplex Stainless Adder	" 3 " 316L Stainless Adder	" E " Epoxy Lined Adder	" B " Bare Red Oxide Paint	" I " Insulating Topcoat Adder
B T # # # 2 4 0 7 2	130	\$5,875	standard	*	*	\$4,727	standard	\$2,389
B T # # # 3 0 0 7 5	210	\$7,536	standard	\$11,515	\$9,949	\$5,793	standard	\$3,166
B T # # # 3 6 0 7 2	300	\$9,974	standard	\$13,790	\$12,210	\$6,231	standard	\$3,583
B T # # # 3 6 0 9 0	400	\$11,184	standard	\$16,076	\$14,057	\$7,360	standard	\$4,479
B T # # # 4 2 0 7 2	394	\$10,736	standard	\$15,434	\$13,494	\$7,092	standard	\$4,778
B T # # # 4 2 0 8 4	460	\$14,127	standard	\$39,556	\$35,578	\$7,988	standard	\$4,957
B T # # # 4 2 0 9 0	500	\$14,443	standard	\$40,003	\$35,969	\$8,167	standard	\$5,435
B T # # # 4 2 1 0 0	550	\$15,238	standard	\$40,228	\$36,119	\$8,373	standard	\$6,212
B T # # # 4 8 0 7 3	528	\$14,761	standard	\$36,851	\$33,028	\$8,030	standard	\$4,957
B T # # # 4 8 0 8 4	588	\$15,158	standard	\$37,288	\$33,402	\$8,561	standard	\$5,674
B T # # # 4 8 0 9 0	600	\$15,395	standard	\$36,489	\$32,646	\$8,973	standard	\$6,127
B T # # # 4 8 0 9 6	700	\$15,840	standard	\$38,776	\$34,731	\$10,193	standard	\$6,390
B T # # # 4 8 1 4 1	1000	\$23,411	standard	\$48,501	\$43,176	\$13,363	standard	\$9,196
B T # # # 5 4 0 9 6	850	\$30,173	standard	*	*	\$10,478	standard	\$7,405
B T # # # 5 4 1 4 7	1350	\$44,542	standard	*	*	\$15,397	standard	\$10,809
B T # # # 5 4 1 6 5	1530	\$47,927	standard	*	*	\$16,956	standard	\$12,003
B T # # # 6 0 0 9 6	1040	\$43,044	standard	*	*	\$11,572	standard	\$8,898
B T # # # 6 0 1 3 5	1500	\$52,629	standard	*	*	\$15,692	standard	\$11,287
B T # # # 6 0 1 7 7	2000	\$59,050	standard	*	*	\$20,174	standard	\$14,630

* Contact Factory

Model character 3:

V for vertical

H for horizontal (saddles must be added, and are not included in the tank price - see options page)

Model character 4:

N for unlined carbon steel (standard)

2 for duplex stainless steel

3 for 316L stainless steel

E for carbon steel epoxy-lined

Model character 5:

B for bare tank (standard)

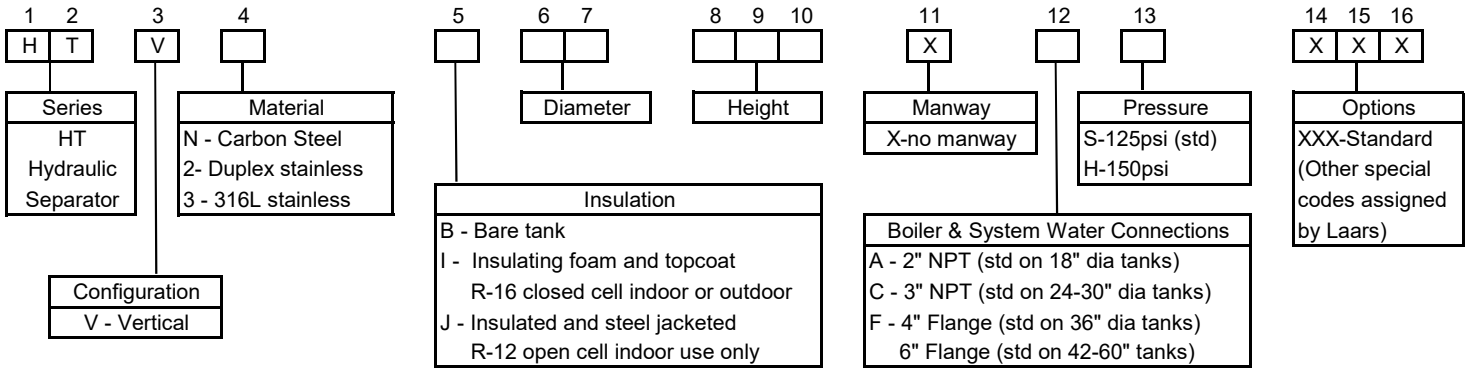
I for insulating topcoat

Note - Manways are not required on chilled water buffer tanks, and are not included in the standard BT tank price.

Hydraulic Separator / Hot Water Buffer Tank Pricing - Effective December 6, 2021

Model HT

Model Nomenclature



NOTES:

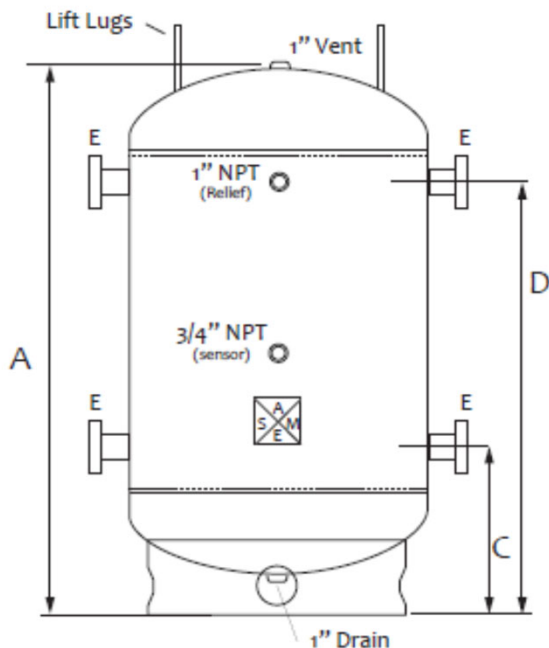
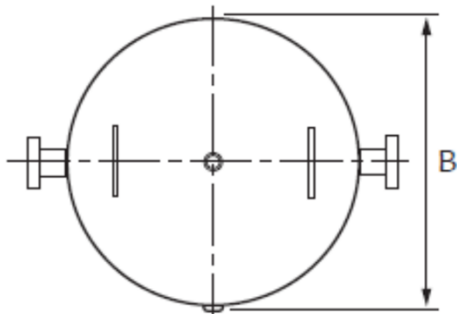
- Standard tank is unlined carbon steel, vertical, 125 psi, bare, with base ring, and 5-year limited tank warranty.
- 316L construction carries a 10-year limited tank warranty. Duplex construction carries a 25-year limited tank warranty.

List Pricing and Dimensions

Model	Capacity	# - Model Character 5			"A" in.	"B" in.	"C" in.	"D" in.	"E" Fitting Size/Style	Weight lbs
		"B" Standard Bare Tank	"I" Insulating Foam & Topcoat	"J" Insulated Steel Jacket						
		List Price	Adder	Adder						
HTVN # -18-041	40 gallon	\$5,581	\$1,828	N/A	45	18	14 ¼	33 ¾	2" NPT	250
HTVN # -24-045	80 gallon	\$6,206	\$2,090	N/A	49	24	16 ¾	36 ¼	3" NPT	286
HTVN # -30-045	120 gallon	\$6,823	\$2,389	\$4,579	49	30	16 ¾	36 ¼	3" NPT	310
HTVN # -30-075	210 gallon	\$7,089	\$3,166	\$4,897	75	30	16 ¾	62 ¼	3" NPT	475
HTVN # -36-072	285 gallon	\$10,763	\$3,583	\$5,851	76	36	24 ½	55 ½	4" flange	760
HTVN # -42-072	385 gallon	\$13,100	\$4,778	\$7,923	76	42	27	53	6" flange	1080
HTVN # -42-084	453 gallon	\$14,625	\$4,957	\$8,580	87	42	27	64	6" flange	1350
HTVN # -48-096	675 gallon	\$22,679	\$6,390	\$11,008	100	48	29	75	6" flange	1790
HTVN # -48-120	860 gallon	\$27,310	\$7,882	\$14,652	124	48	29	99	6" flange	1925
HTVN # -60-096	1000 gallon	\$42,495	\$8,898	\$21,954	102	60	31 ¼	76 ¾	6" flange	2140

Notes:

- Stainless steel models are priced upon request
- Manways are not required on closed loop systems.
Refer to options pricing if manway is desired.



Options for Model ST, BT, HT & XT Pricing - Effective December 6, 2021

To Add NPT Fittings (or change the size of standard fittings)		
Fitting Size	Carbon Steel Tank Add to List Price / each	Stainless Steel Tank Add to List Price / each
3/4" NPT	\$232	\$265
1" NPT	\$238	\$273
1-1/4" NPT	\$243	\$310
1-1/2" NPT	\$348	\$575
2" NPT	\$360	\$722
2-1/2" NPT	\$398	\$868
3" NPT	\$447	\$1,922
4" NPT	\$739	\$2,253

To Add Flange Fittings (or change the size/type of std fittings)		
Flange Size	Carbon Steel Tank Add to List Price / each	Stainless Steel Tank Add to List Price / each
4" & smaller flange	\$663	\$1,548
6" flange	\$851	\$2,173
8" flange	\$1,382	\$3,088
10" flange	\$2,164	\$3,873
12" flange	\$2,733	\$5,029
14" flange	\$3,244	\$5,797

Saddles for Horizontal Tanks Saddles are mandatory for horizontal tanks, <u>and are not included in the tank price.</u>		
<ul style="list-style-type: none"> Saddles are welded to tanks. Saddles lift the tank 9" from the ground. 12" and 15" saddles are available - contact factory for price 		
Tank Dia.	Carbon Steel Tank Add to List Price (Price is per pair)	Stainless Steel Tank Add to List Price (Price is per pair)
36" & smaller	\$857	\$1,143
42" to 54"	\$2,088	\$2,722
60" to 80"	\$3,793	\$4,944

150psi Tank Pressure Rating (Contact factory for higher pressure ratings)		
Tank Dia.	Carbon Steel Tank Add to List Price	Stainless Steel Tank Add to List Price
30" to 36"	\$1,652	\$1,652
42" to 48"	\$2,235	\$2,235
54"	\$4,023	\$4,023
60"	\$4,237	Contact Factory
72"	\$5,918	Contact Factory
84"	\$6,973	Contact Factory

Manways (12"x16")

- Manways are included on ST dia. 42" & larger
- Manways are required on epoxy-lined tanks

Add to list price:

Carbon steel tanks- \$1715

Stainless steel tanks- \$9456

Hand Holes (4"x6")

Add to list price:

Carbon steel tanks - \$813

Seismic Clips

Add to list price:

Carbon steel tanks - List price \$629

Stainless steel tanks - List price \$752

Meets requirements in most installations. For questions about tanks built with options, or for calculations, contact the factory.

Lift Lugs (one pair)

- Standard on bare & foam/topcoat tanks
 - Standard on horizontal jacketed tanks
- Add to list price:
- Carbon steel vertical jacketed tanks- \$229
 - Stainless steel vertical jacketed tanks- \$458

Sparge Tube (For ST tanks only)

Shipped loose, order part number CTHJ001

List price \$514

Sparge tubes fit 3"NPT opening only

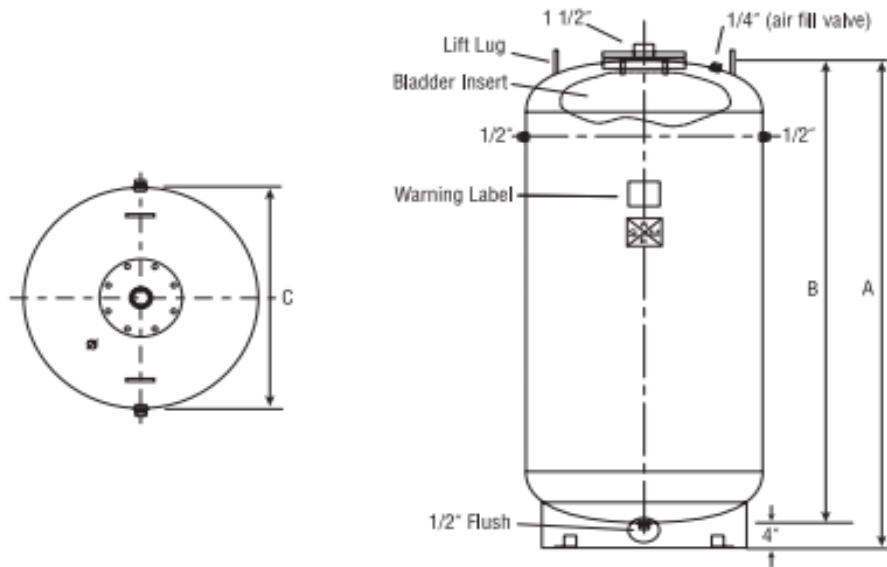
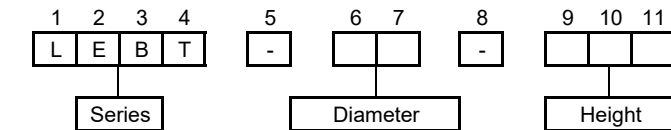
Expansion Bladder Tank Pricing - Effective December 6, 2021

Model LEBT

Standard Features

- | | | |
|--|--|--|
| <ul style="list-style-type: none"> • ASME Code Sec VIII Div 1 • NSF 61 bladder for potable water • 125 psi design pressure • 12 psi factory charge • 240°F maximum temperature • 4" skirt tank support | <ul style="list-style-type: none"> • Heavy duty butyl rubber replaceable bladder • Large flanged opening for easy bag replacement • Carbon steel heads, shell and couplings • Standard 1-year warranty | <p>Optional stainless steel construction:</p> <ul style="list-style-type: none"> • 316L tanks carry a limited 10-year tank warranty • Duplex tanks carry a limited 25-year tank warranty |
|--|--|--|

Model Nomenclature



Optional Construction
A- Carbon steel & 150 psi
B- Carbon steel & foam with topcoat
C- Carbon steel, 150 psi, & foam with topcoat
2- Duplex stainless steel
D- Duplex stainless steel & 150 psi
E- Duplex stainless steel & foam with topcoat
F- Duplex stainless steel, 150 psi, & foam / topcoat
3- 316L stainless steel
G- 316L stainless steel & 150 psi
H- 316L stainless steel & foam with topcoat
J- 316L stainless steel, 150psi, & foam / topcoat

* Characters 12 and 13 are used for optional construction only.

Dimensions and List Pricing

Carbon Steel Model	Capacity gallons	(A) Overall Height inches	(B) Tank Height inches	Diameter inches	Weight lbs	Carbon Steel Bare Tank List Price	Carbon Steel with Foam/Topcoat* Adder	150 psi* Adder
LEBT-30-063	175	67	63	30	340	\$7,896	\$2,688	\$1,652
LEBT-30-075	210	79	75	30	387	\$8,210	\$3,166	\$1,652
LEBT-30-085	240	89	85	30	520	\$8,390	\$3,583	\$1,652
LEBT-36-072	285	76	72	36	550	\$9,442	\$3,583	\$1,652
LEBT-36-078	310	82	78	36	588	\$9,567	\$3,941	\$1,652
LEBT-36-085	340	89	85	36	633	\$9,912	\$4,300	\$1,652
LEBT-36-090	360	94	90	36	664	\$10,020	\$4,479	\$1,652
LEBT-42-081	435	85	81	42	873	\$12,662	\$4,778	\$2,235
LEBT-42-084	455	88	84	42	905	\$12,761	\$4,957	\$2,235
LEBT-42-093	505	97	93	42	973	\$13,023	\$5,435	\$2,235
LEBT-48-073	500	77	73	48	1038	\$14,605	\$4,957	\$2,235
LEBT-48-096	675	100	96	48	1298	\$15,747	\$6,390	\$2,235
LEBT-48-108	765	112	108	48	1433	\$16,936	\$7,165	\$2,235
LEBT-48-120	860	124	120	48	1567	\$17,553	\$7,882	\$2,235
LEBT-48-141	1040	145	141	48	1805	\$19,312	\$9,169	\$2,235

* Add appropriate 13th character to model number.

Stainless steel models are priced upon request.

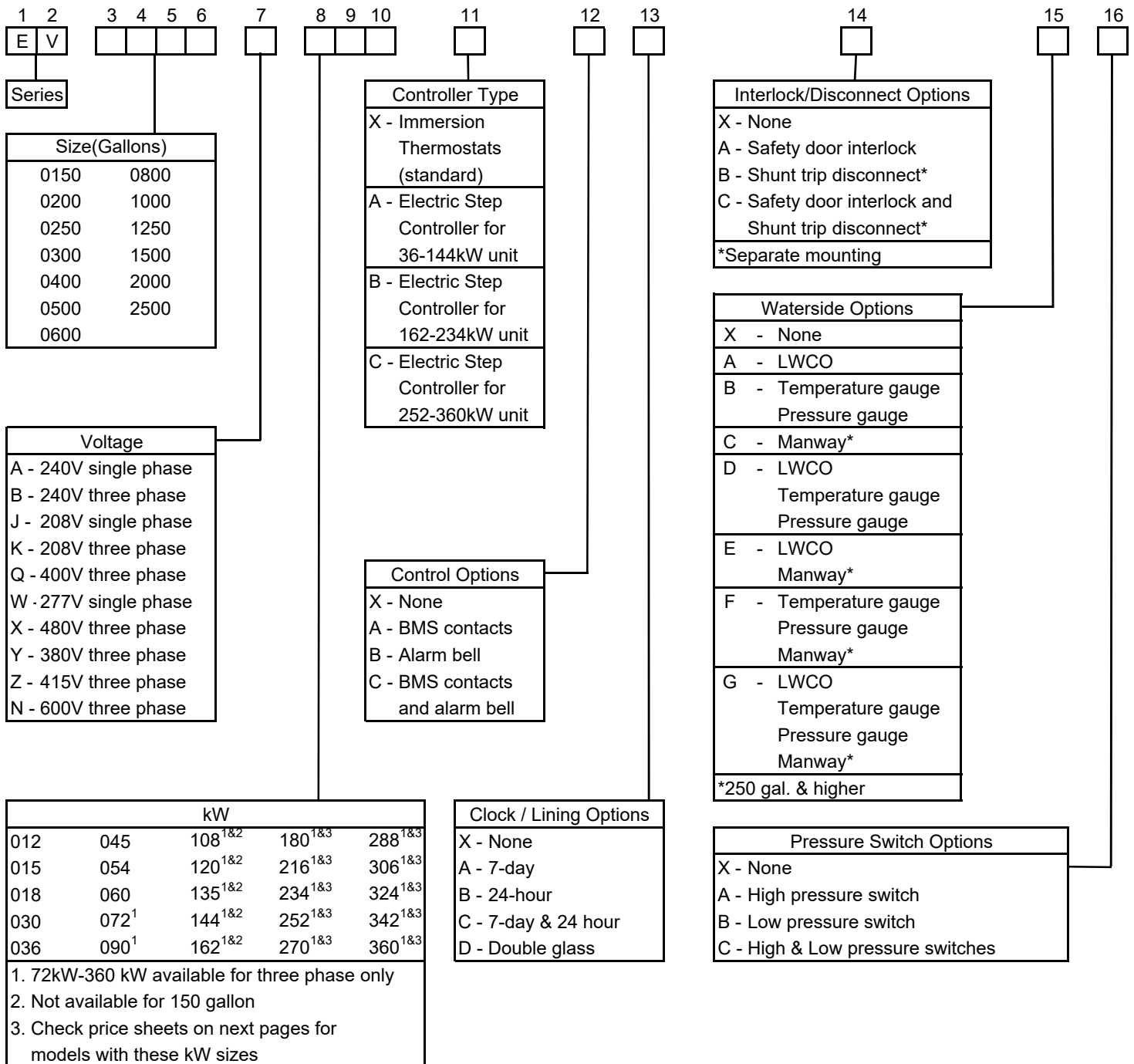
Commercial Electric Water Heater Pricing - Effective December 6, 2021

Model EV

Standard Features

- 150 psi ASME code construction
- Approved for 180°F operation
- Glass-lined
- ASME temperature and pressure relief valve
- Internal fusing (above 120A)
- Magnetic contactors
- CSA Low lead certified
- Incoloy heating elements
- Painted steel jacket
- Insulation meets requirements of ASHRAE 90.1b
- Magnesium anode rods
- Immersion thermostats
- Digital temperature display
- Manual reset high limit
- Terminal block connections
- Channel iron skid base
- Hinged door with keyed lock
- Lifting lug access
- 3-year limited warranty with standard glass lining
- 6-year limited warranty with optional double glass lining
- Stainless steel options available

Model Nomenclature

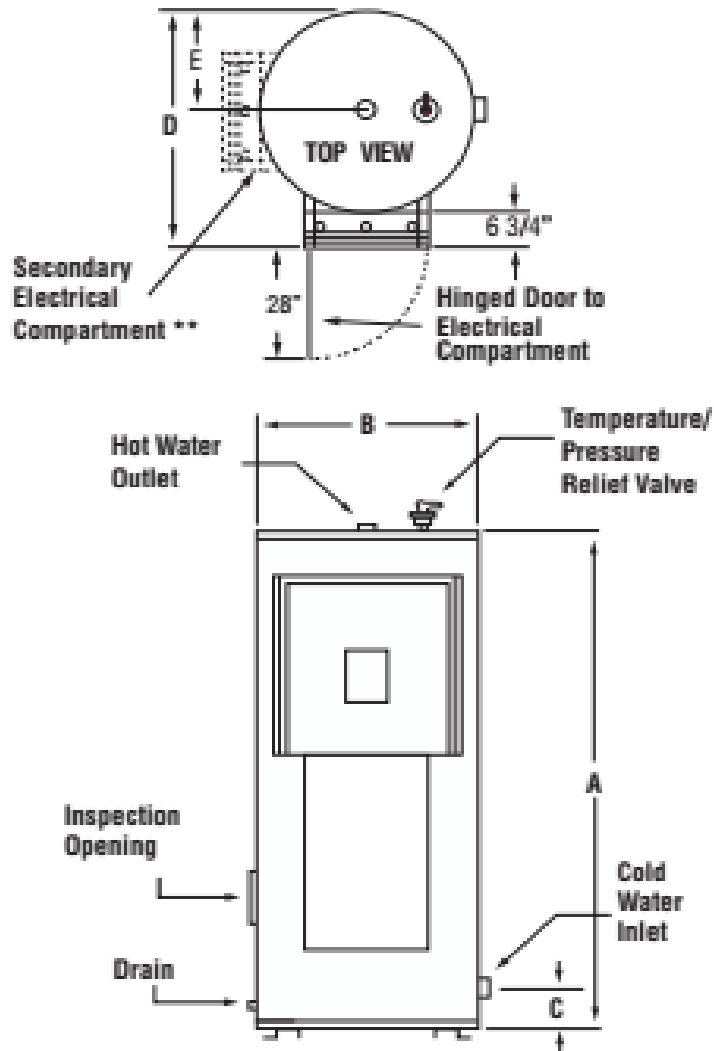


Commercial Electric Water Heater Pricing - Effective December 6, 2021

Model EV

Dimensions

Model	Gallons	Max kW	A Floor to Heater Top	B Jacket Dia.	C Floor to Cold Water Inlet	D Depth	E Back of Heater to Hot Water Out	Water Connection	Approx. Ship Weight lbs
EV0150	150	90	67-1/2"	32"	7-3/4"	38-3/4"	16"	1-1/2" NPT	650
EV0200	200	162	80"	32"	7-3/4"	38-3/4"	17"	1-1/2" NPT	750
EV0250	250	162	92"	34"	19-1/2"	40-3/4"	17"	1-1/2" NPT	1165
EV0300	300	162	80"	40"	21"	40-3/4"	20"	2" NPT	1350
EV0400	400	162	80"	46"	22-1/2"	52-3/4"	23"	2" NPT	1590
EV0500	500	162	92"	46"	22-1/2"	52-3/4"	23"	2" NPT	1700
EV0600	600	216	92"	52"	24-1/2"	58-3/4"	26"	2-1/2" NPT	2010
EV0800	800	270	104"	52"	24-1/2"	58-3/4"	26"	2-1/2" NPT	2450
EV1000	1000	360	128"	52"	24-1/2"	58-3/4"	26"	2-1/2" NPT	3160
EV1250	1250	360	133"	58"	26"	64-3/4"	29"	3"	3792
EV1500	1500	360	129"	64"	27-1/2"	70-3/4"	32"	3"	4550
EV2000	2000	360	140"	70"	29-1/2"	76-3/4"	35"	3"	5460
EV2500	2500	360	144"	76"	30-1/2"	82-3/4"	38"	3"	6553



Commercial Electric Water Heater Pricing - Effective December 6, 2021

Model EV

List Pricing

208V, 240V, 277V Single or Three Phase*

Gallons

Wattage	150	200	250	300	400	500	600	800	1000	1250	1500	2000	2500
15kW	\$16,469	\$17,243	\$17,763	\$18,965	\$24,009	\$27,694	\$30,763	\$35,797	\$40,192	\$60,983	\$70,795	\$80,218	\$95,995
18kW	\$16,613	\$17,385	\$17,905	\$19,110	\$24,153	\$27,838	\$30,907	\$35,936	\$40,337	\$60,983	\$70,795	\$80,218	\$95,995
30kW	\$17,049	\$17,785	\$18,361	\$19,490	\$24,547	\$28,243	\$31,291	\$36,341	\$40,730	\$61,574	\$71,389	\$80,858	\$96,586
36kW	\$17,424	\$18,118	\$18,891	\$19,796	\$24,794	\$28,452	\$31,508	\$36,530	\$40,937	\$62,167	\$71,984	\$81,499	\$97,178
45kW	\$18,514	\$19,631	\$20,450	\$21,316	\$26,120	\$29,538	\$32,401	\$37,038	\$41,407	\$62,993	\$73,028	\$82,544	\$98,223
54kW	\$19,635	\$20,761	\$21,578	\$22,442	\$27,245	\$30,657	\$33,524	\$38,174	\$42,436	\$63,818	\$74,074	\$83,589	\$99,267
60kW	\$19,803	\$20,921	\$21,739	\$22,605	\$27,411	\$30,829	\$33,692	\$38,882	\$43,092	\$64,642	\$75,118	\$84,633	\$100,311
72kW*	\$20,609	\$21,858	\$22,550	\$23,415	\$28,221	\$31,609	\$34,344	\$39,543	\$43,749	\$65,468	\$76,162	\$85,678	\$101,355
90kW*	\$21,542	\$22,793	\$23,562	\$24,363	\$29,106	\$32,531	\$35,042	\$40,154	\$44,383	\$67,557	\$78,251	\$87,766	\$101,804
108kW*	N/A	\$24,363	\$24,993	\$25,935	\$30,662	\$34,741	\$36,543	\$41,306	\$45,440	\$69,645	\$80,339	\$89,855	\$103,443
120kW*	N/A	\$24,569	\$25,200	\$26,123	\$30,859	\$35,030	\$36,735	\$41,515	\$45,632	\$70,754	\$81,724	\$91,400	\$106,235
135kW*	N/A	\$24,832	\$25,511	\$26,639	\$31,178	\$35,653	\$37,050	\$41,735	\$45,839	\$71,864	\$83,108	\$92,946	\$106,937
144kW*	N/A	\$25,306	\$25,918	\$26,843	\$31,645	\$36,294	\$37,163	\$41,947	\$46,042	\$72,975	\$84,495	\$94,494	\$107,641
162kW*	N/A	\$27,629	\$28,106	\$28,882	\$33,791	\$37,856	\$39,949	\$44,471	\$48,538	\$75,510	\$86,425	\$96,565	\$110,411
180kW*	N/A	N/A	N/A	N/A	\$35,819	\$40,126	\$54,411	\$52,886	\$56,854	\$78,046	\$88,354	\$98,637	\$113,184
216kW*	N/A	N/A	N/A	N/A	\$37,967	\$42,534	\$58,047	\$56,280	\$60,557	\$82,176	\$92,870	\$102,386	\$118,065
252kW*	N/A	N/A	N/A	N/A	N/A	N/A	N/A	\$60,217	\$65,055	\$87,543	\$97,508	\$106,871	\$122,234
270kW*	N/A	N/A	N/A	N/A	N/A	N/A	N/A	\$61,203	\$66,535	\$88,794	\$99,842	\$108,921	\$124,512
288kW*	N/A	N/A	N/A	N/A	N/A	N/A	N/A	N/A	\$67,897	\$90,045	\$102,166	\$110,971	\$126,789
324kW*	N/A	N/A	N/A	N/A	N/A	N/A	N/A	N/A	\$72,152	\$94,709	\$105,397	\$114,915	\$130,595
360kW*	N/A	N/A	N/A	N/A	N/A	N/A	N/A	N/A	N/A	\$98,045	\$108,707	\$120,580	\$135,598

*72kW and higher available with three phase voltage only.

Stainless steel models are priced upon request

308V, 400V, 415V, 480V, 600V Single or Three Phase*

Gallons

Wattage	150	200	250	300	400	500	600	800	1000	1250	1500	2000	2500
15kW	\$15,712	\$16,627	\$17,184	\$18,334	\$23,750	\$27,608	\$29,674	\$33,910	\$38,383	\$54,998	\$69,660	\$77,474	\$93,140
18kW	\$15,930	\$16,870	\$17,403	\$18,552	\$23,968	\$27,827	\$29,892	\$34,013	\$38,479	\$54,998	\$69,660	\$77,474	\$93,140
30kW	\$16,399	\$17,256	\$18,026	\$19,037	\$24,472	\$28,361	\$30,376	\$34,484	\$39,023	\$54,998	\$70,311	\$78,976	\$94,648
36kW	\$16,640	\$17,499	\$18,276	\$19,339	\$24,692	\$28,584	\$30,591	\$34,698	\$39,217	\$55,611	\$70,963	\$80,479	\$96,156
45kW	\$17,227	\$18,535	\$19,475	\$20,452	\$25,593	\$29,280	\$31,318	\$35,249	\$39,705	\$56,227	\$71,752	\$81,267	\$96,946
54kW	\$17,750	\$19,058	\$19,997	\$20,975	\$26,117	\$29,802	\$31,841	\$35,930	\$40,540	\$56,592	\$72,541	\$82,057	\$97,735
60kW	\$18,258	\$19,566	\$20,506	\$21,485	\$26,625	\$30,311	\$32,349	\$36,406	\$41,001	\$56,962	\$73,330	\$82,845	\$98,523
72kW*	\$19,025	\$20,263	\$21,192	\$22,051	\$27,145	\$30,864	\$32,799	\$36,883	\$41,481	\$57,333	\$74,119	\$83,635	\$99,313
90kW*	\$19,486	\$20,764	\$21,652	\$22,587	\$27,582	\$31,263	\$33,218	\$37,278	\$41,888	\$57,703	\$75,697	\$85,213	\$100,892
108kW*	N/A	\$23,214	\$23,195	\$23,966	\$28,719	\$32,335	\$34,340	\$38,373	\$43,451	\$59,310	\$76,548	\$86,064	\$101,588
120kW*	N/A	\$23,337	\$23,318	\$24,089	\$28,844	\$32,460	\$34,465	\$38,611	\$43,681	\$65,429	\$77,249	\$87,089	\$102,269
135kW*	N/A	\$23,514	\$23,496	\$24,268	\$29,021	\$32,637	\$34,642	\$38,850	\$43,924	\$65,799	\$77,949	\$88,113	\$102,951
144kW*	N/A	\$23,986	\$23,957	\$24,588	\$29,489	\$33,052	\$34,965	\$39,094	\$44,160	\$66,169	\$78,651	\$89,139	\$103,635
162kW*	N/A	\$24,703	\$25,361	\$26,256	\$31,167	\$34,888	\$36,844	\$40,980	\$46,064	\$66,543	\$80,718	\$91,137	\$106,617
180kW*	N/A	N/A	N/A	N/A	\$35,819	\$40,126	\$44,349	\$48,432	\$53,699	\$70,975	\$82,785	\$93,135	\$109,599
216kW*	N/A	N/A	N/A	N/A	\$37,967	\$42,534	\$46,490	\$50,848	\$55,931	\$75,406	\$88,105	\$97,621	\$113,299
252kW*	N/A	N/A	N/A	N/A	N/A	N/A	N/A	\$54,052	\$59,157	\$78,183	\$90,649	\$101,215	\$116,476
270kW*	N/A	N/A	N/A	N/A	N/A	N/A	N/A	\$55,152	\$60,281	\$81,802	\$92,282	\$102,591	\$117,994
288kW*	N/A	N/A	N/A	N/A	N/A	N/A	N/A	N/A	\$61,484	\$83,104	\$93,915	\$103,966	\$119,514
324kW*	N/A	N/A	N/A	N/A	N/A	N/A	N/A	N/A	\$64,624	\$84,405	\$97,975	\$107,491	\$123,170
360kW*	N/A	N/A	N/A	N/A	N/A	N/A	N/A	N/A	N/A	\$87,267	\$101,753	\$111,442	\$127,649

*72kW and higher available with three phase voltage only.

Stainless steel models are priced upon request

Commercial Electric Water Heater Pricing - Effective December 6, 2021

Model EV

Options and Accessories

Controller Type - 11th character in model number	Character in Model Number	List Price
Immersion thermostat (standard)	X	no charge
Electric Step Controller for 36kW - 144kW units only	A	\$1,114
Electric Step Controller for 162kW - 234kW units only	B	\$2,684
Electric Step Controller for 252kW - 360kW units only	C	\$4,339

Control Options - 12th character in model number		
None (standard)	X	no charge
BMS contacts	A	\$384
Alarm bell	B	\$440
BMS contacts & alarm bell	C	\$824

Clock/Lining Options - 13th character in model number		
None (standard)	X	no charge
7-day	A	\$956
24-hour	B	\$540
7-day & 24-hour	C	\$1,496
Double glass lining	D	by size, below
Size (Gallons)	150	200
Double Glass Lining List Price Add	\$1,915	\$1,915
Size (Gallons)	250	300
Double Glass Lining List Price Add	\$1,915	\$2,622
Size (Gallons)	400	500
Double Glass Lining List Price Add	\$3,450	\$3,450
Size (Gallons)	600	800
Double Glass Lining List Price Add	\$4,715	\$4,715
Size (Gallons)	1000	1250
Double Glass Lining List Price Add	\$4,715	\$8,652
Size (Gallons)	1500	2000
Double Glass Lining List Price Add	\$10,510	\$14,930
Size (Gallons)	2500	3000
Double Glass Lining List Price Add	\$14,930	\$14,930

Interlock & Disconnect Options - 14th character in model number		
None (standard)	X	no charge
Safety door interlock	A	\$585
Shunt trip disconnect*	B	request price
Safety door interlock & Shunt trip disconnect*	C	request price

*separate mounting

Waterside Options - 15th character in model number		
None (standard)	X	no charge
Low water cutoff	A	\$569
Pressure and temperature gauge	B	\$461
Manway*	C	\$1,715
Low water cutoff, and pressure and temperature gauge	D	\$1,030
Low water cutoff, and manway	E	\$2,284
Pressure and temperature gauge, and manway	F	\$2,176
Low water cutoff, pressure and temperature gauge, and manway	G	\$2,745

*Manway is available on units that are 250 gallons or larger only

Pressure Switch Options - 16th character in model number		
None (standard)	X	no charge
High water pressure switch	A	\$420
Low water pressure switch	B	\$420
High & low water pressure switches	C	\$840

Seismic Bracing - Indicate zip code of installation - Order as separate line item	KMP00200	Request Price
--	----------	---------------

Commercial Electric Water Heater Pricing - Effective December 6, 2021

Model EV

Options and Accessories, Cont.

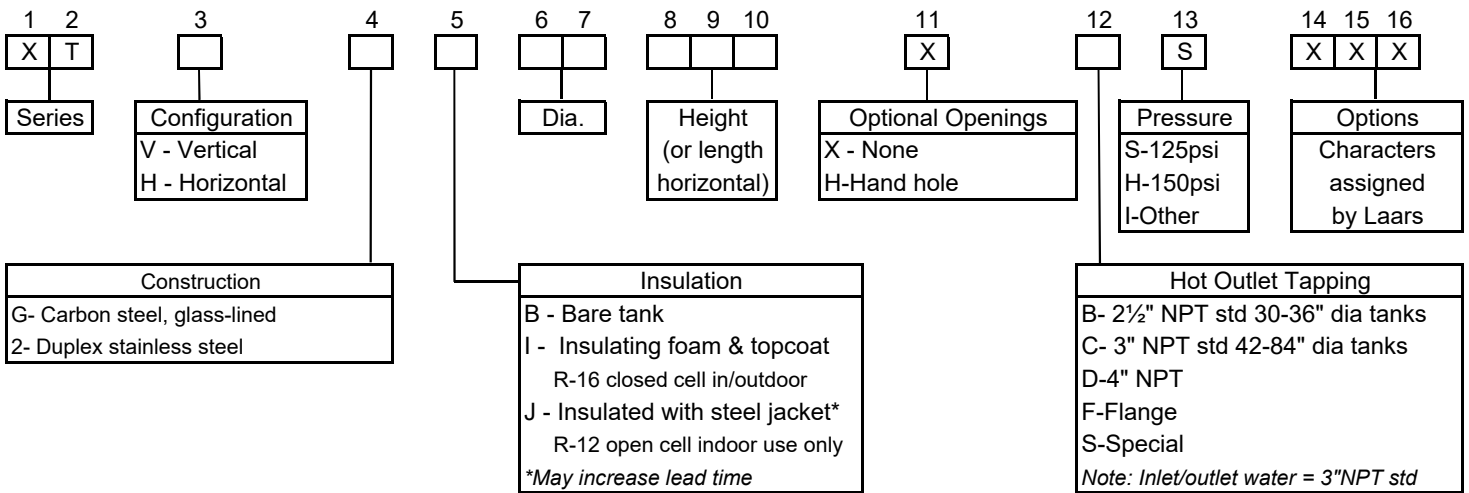
Lighted contactor switches (one lighted switch per contactor) - Order as separate line item per chart below:

kW	208-277 Volts		380 Volts		400-600 volts	
	Part Number	List Price	Part Number	List Price	Part Number	List Price
15	KMP00101	\$199	KMP00101	\$199	KMP00101	\$199
18	KMP00102	\$398	KMP00101	\$199	KMP00101	\$199
30	KMP00102	\$398	KMP00101	\$199	KMP00101	\$199
36	KMP00104	\$796	KMP00102	\$398	KMP00102	\$398
45	KMP00103	\$597	KMP00102	\$398	KMP00102	\$398
54	KMP00106	\$1,194	KMP00102	\$398	KMP00102	\$398
61	KMP00112	\$2,388	KMP00106	\$1,194	KMP00106	\$1,194
72	KMP00108	\$1,592	KMP00104	\$796	KMP00104	\$796
90	KMP00106	\$1,194	KMP00104	\$796	KMP00103	\$597
108	KMP00112	\$2,388	KMP00106	\$1,194	KMP00104	\$796
120	KMP00108	\$1,592	KMP00108	\$1,592	KMP00104	\$796
135	KMP00109	\$1,791	KMP00106	\$1,194	KMP00106	\$1,194
144	KMP00116	\$3,184	KMP00108	\$1,592	KMP00108	\$1,592
162	KMP00118	\$3,582	KMP00109	\$1,791	KMP00106	\$1,194
180	KMP00120	\$3,980	KMP00110	\$1,990	KMP00110	\$1,990
216	KMP00124	\$4,776	KMP00108	\$1,592	KMP00108	\$1,592
234	KMP00126	\$5,174	KMP00113	\$2,587	KMP00113	\$2,587
252	KMP00128	\$5,572	KMP00114	\$2,786	KMP00114	\$2,786
270	KMP00130	\$5,970	KMP00110	\$1,990	KMP00110	\$1,990
288	KMP00132	\$6,368	KMP00116	\$3,184	KMP00116	\$3,184
306	KMP00134	\$6,766	KMP00117	\$3,383	KMP00117	\$3,383
324	KMP00136	\$7,164	KMP00112	\$2,388	KMP00112	\$2,388
342	KMP00138	\$7,562	KMP00119	\$3,781	KMP00119	\$3,781
360	KMP00140	\$7,960	KMP00120	\$3,980	KMP00120	\$3,980

Hot Water Generator Pricing - Effective December 6, 2021

Model XT

Model Nomenclature



Notes:

1. Hot water generators are available in vertical and horizontal configurations, bare, jacketed/insulated or topcoated.
2. Prices shown in this section are for the tube bundles only, and do not include tank prices or control package prices.
3. For options, refer to the "Options" page in this price book. Manways are not required on hot water generators.
4. Saddles are mandatory for horizontal tanks. To add saddles, see the options page.
5. Contact our office for pricing of sizes that are not shown.
6. Alternate stainless steel compositions may be available.
7. Control packages for Steam-to-Water or Water-to-Water, self actuating, electronic or pneumatic are available. Contact Laars for pricing of control packages.
8. The first step in sizing a hot water generator is to know how much hot water is needed. To assist in selecting the correct tube bundle, please complete the following information and return it to our office at Orders@Laars.com. We will calculate the bundle based on the information you provide.

Because of the custom nature of these products, final package pricing must be confirmed by Laars before an order will be accepted.

Heat Load: _____ Btu/hr (boiler output)

Tube Side:

- Fluid: Water or Steam
- Inlet Temperature: _____ °F (Steam Inlet Pressure) _____ psi
- Outlet Temperature: _____ °F
- Flow Rate: _____ gpm (Steam _____ Lbs/hr)

Tank Side:

- Pressure: _____ Tank fluid - water
- Inlet Temperature: _____ °F
- Outlet Temperature: _____ °F
- Recovery Rate: _____ gph

To determine standard hot water generator pricing, add tank price to desired tube bundle price. Tube bundle pricing includes tube sheet, flanged neck, and cast iron head. Saddle prices shown on options page must be added to horizontal tanks. Water-to-steam and steam-to-water controls are available. Contact us for sizing and prices.

Hot Water Generator Pricing - Effective December 6, 2021

Model XT

List Pricing - Tube Bundles Only - Add to Tank List Price - Controls Priced Separately

IMPORTANT NOTE: Because of the custom nature of these products, final package pricing must be confirmed by Laars before an order will be accepted.

Tube Bundle	Single Wall	Double Wall
04-12	\$2,553	\$4,715
04-18	\$2,625	\$4,950
04-24	\$2,669	\$5,188
04-30	\$2,960	\$5,562
04-36	\$3,035	\$5,797
04-42	\$3,115	\$6,023
04-48	\$3,229	\$6,255
04-54	\$3,331	\$6,480
04-60	\$3,423	\$6,717
04-66	\$3,480	\$6,958
04-72	\$3,572	\$7,187
04-78	\$3,668	\$7,462
04-84	\$3,765	\$7,735
04-90	\$3,893	\$8,033
04-96	\$4,022	\$8,333

Tube Bundle	Single Wall	Double Wall
06-12	\$4,007	\$7,932
06-18	\$4,218	\$8,179
06-24	\$4,389	\$8,806
06-30	\$4,661	\$9,316
06-36	\$4,846	\$9,735
06-42	\$4,987	\$10,153
06-48	\$5,225	\$10,602
06-54	\$5,384	\$10,988
06-60	\$5,530	\$11,387
06-66	\$5,759	\$11,866
06-72	\$5,910	\$12,246
06-78	\$6,081	\$12,472
06-84	\$6,252	\$12,696
06-90	\$6,441	\$13,313
06-96	\$6,628	\$13,929

Tube Bundle	Single Wall	Double Wall
08-18	\$5,430	\$11,395
08-24	\$5,726	\$12,359
08-30	\$6,186	\$13,247
08-36	\$6,522	\$14,025
08-42	\$6,890	\$14,897
08-48	\$7,267	\$15,767
08-54	\$7,581	\$16,639
08-60	\$7,990	\$17,612
08-66	\$8,327	\$18,348
08-72	\$8,653	\$19,095
08-78	\$9,025	\$19,914
08-84	\$9,398	\$20,732
08-90	\$9,757	\$21,967
08-96	\$10,117	\$23,201

Tube Bundle	Single Wall	Double Wall
10-24	\$8,399	\$16,434
10-30	\$9,054	\$17,746
10-36	\$9,561	\$18,966
10-42	\$10,078	\$20,198
10-48	\$10,648	\$21,468
10-54	\$11,180	\$22,711
10-60	\$11,740	\$23,962
10-66	\$12,289	\$25,231
10-72	\$12,789	\$26,426
10-78	\$13,325	\$27,653
10-84	\$13,861	\$28,881
10-90	\$14,418	\$30,132
10-96	\$14,973	\$31,383
10-102	\$15,507	\$32,635
10-108	\$16,039	\$33,888

Tube Bundle	Single Wall	Double Wall
12-36	\$13,564	\$25,913
12-42	\$14,308	\$27,547
12-48	\$15,052	\$29,176
12-54	\$15,752	\$30,777
12-60	\$16,497	\$32,370
12-66	\$17,202	\$33,976
12-72	\$17,940	\$35,589
12-78	\$18,651	\$37,208
12-84	\$19,372	\$38,806
12-90	\$20,106	\$40,426
12-96	\$20,839	\$42,046
12-102	\$21,561	\$43,643
12-108	\$22,281	\$45,239
12-114	\$22,993	\$46,832
12-120	\$23,703	\$48,425

Tube Bundle	Single Wall	Double Wall
14-36	\$17,493	\$34,900
14-42	\$18,446	\$36,883
14-48	\$19,085	\$38,732
14-54	\$19,934	\$40,720
14-60	\$20,693	\$42,526
14-66	\$21,504	\$44,435
14-72	\$22,336	\$46,420
14-78	\$23,124	\$48,294
14-84	\$23,955	\$50,252
14-90	\$24,732	\$52,078
14-96	\$25,509	\$53,903
14-102	\$26,320	\$55,828
14-108	\$27,130	\$57,751
14-114	\$27,936	\$59,675
14-120	\$28,744	\$61,599

Tube Bundle	Single Wall	Double Wall
16-36	\$20,725	\$42,134
16-42	\$21,699	\$44,437
16-48	\$22,604	\$46,546
16-54	\$23,617	\$48,985
16-60	\$24,555	\$51,135
16-72	\$26,490	\$55,725
16-84	\$28,397	\$60,238
16-96	\$30,366	\$64,908
16-108	\$32,289	\$69,475
16-120	\$34,175	\$73,878

Notes:

1. Standard tube bundles have 316L stainless steel tube sheets.
2. Pricing is not for replacement tube bundles. For replacement tube bundles, contact us.
3. For total list price, tank, tube bundle, controls, and other options are added together.

Because of the custom nature of these products, final package pricing must be confirmed by Laars before an order will be accepted.

