

Commercial Products Pricing and Ordering

NeoTherm NTH Indoor (399-850).....	2	Mighty Therm2 (200-400)	35
NeoTherm NTH Outdoor (399-850).....	4	Mighty Therm2 (500-2000)	37
NeoTherm NTV Indoor (150-850).....	6	Mighty Therm2 Commercial Pool Heaters	40
NeoTherm NTV Outdoor (150-850).....	8	Pennant CP Commercial Pool Heaters.....	42
NeoTherm (1000-1200)	10	Mighty Therm AP Commercial Pool Heaters.....	44
MagnaTherm FT (1000-3000)	13	Laars Commercial Electric Boiler	46
MagnaTherm HTD (1600-4000)	15	Laars U.H.E. Series Water Heaters	49
MagnaTherm (1600-4000).....	18	Laars Plate	51
OmniTherm Cat II & IV (1250-3000).....	21	Laars-Stor Indirect Water Heaters	51
OmniTherm Cat I & III (1250-2500)	24	Jacketed Storage Tanks.....	51
Pennant	27	Boiler Controls.....	52
Low-Temp Pennant	31		



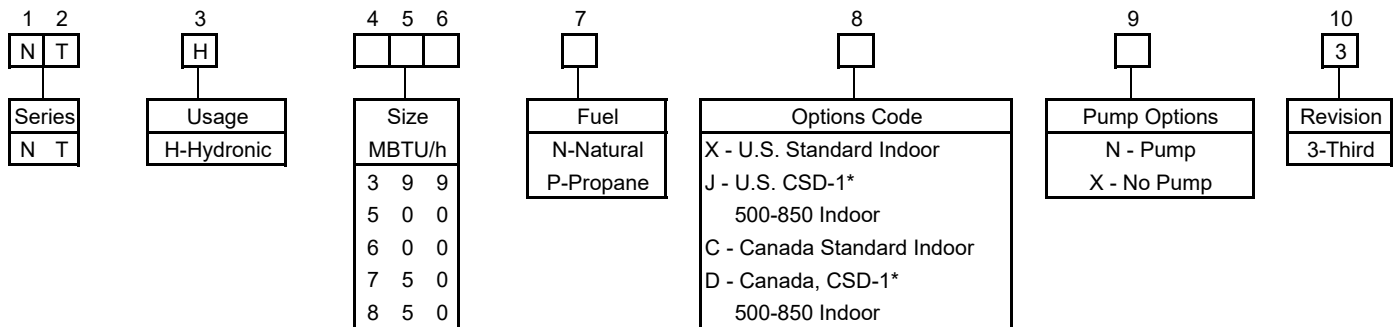
NeoTherm NTH (399-850) Indoor Pricing - Effective July 18, 2022

Commercial Modulating Condensing Boilers

Standard Features

- High condensing efficiency
- Modulation down to 20% of full fire (5:1 turndown)
- Sealed combustion chamber
- Pre-mix stainless steel burner
- Low NOx system exceeds the most stringent regulations for air quality - 10ppm NOx
- Horizontal or vertical direct vent
- Horizontal vent and air terminals
- Vent and air pipe lengths of up to 100 equivalent feet (each)
- Built-in condensate trap
- Vent temperature cutoff
- Indirect water heater priority (sensor included)
- ASME 160psi (1104Pa) working pressure heat exchanger
- Stainless steel heat exchanger with welded construction
- ASME "H" stamp
- 75psi (517kPa) ASME rated pressure relief valve
- Temperature and pressure gauge
- Multiple pump control for boiler pump, system pump, and indirect domestic water pump, each with delay
- Optional pump (sized to model) included for field installation
- Water flow switch
- Electronic PID modulating control
- Direct spark ignition
- Large touch screen user interface and color display
- Alarm output
- Accepts external (4-20mA or 0-10VDC) modulation signal
- Outdoor reset (sensor included)
- On/Off toggle switch
- Drain valve
- Manual reset high limit
- Burner site glass
- Zero clearance to combustible surfaces
- 10-year limited warranty

Model Nomenclature



Pricing

No Pump

Model Number	List Price
NTH 399 (N,P) (X,C) X3	\$18,560
NTH 500 (N,P) (X,C) X3	\$23,503
NTH 600 (N,P) (X,C) X3	\$26,358
NTH 750 (N,P) (X,C) X3	\$28,831
NTH 850 (N,P) (X,C) X3	\$31,240

No Pump - With CSD-1*

Model Number	List Price
NTH 500 (N,P) (J,D) X3	\$24,593
NTH 600 (N,P) (J,D) X3	\$27,448
NTH 750 (N,P) (J,D) X3	\$29,921
NTH 850 (N,P) (J,D) X3	\$32,330

Pump Included

Model Number	List Price
NTH 399 (N,P) (X,C) N3	\$19,170
NTH 500 (N,P) (X,C) N3	\$25,170
NTH 600 (N,P) (X,C) N3	\$28,134
NTH 750 (N,P) (X,C) N3	\$30,606
NTH 850 (N,P) (X,C) N3	\$33,015

Pump Included - With CSD-1*

Model Number	List Price
NTH 500 (N,P) (J,D) N3	\$26,260
NTH 600 (N,P) (J,D) N3	\$29,224
NTH 750 (N,P) (J,D) N3	\$31,696
NTH 850 (N,P) (J,D) N3	\$34,105

List prices for U.S. units include a PVC vent terminal and intake air terminal, a "starter section" of CPVC vent pipe and adapter for standard PVC pipe.

*CSD-1 (model character 8 = J or D) includes low water cutoff and high/low gas pressure switches

NeoTherm NTH (399-850) Indoor Pricing - Effective July 18, 2022

Commercial Modulating Condensing Boilers

Factory Mounted Options

Order kit number as separate line item

		399	500	600	750	850
Low water cutoff	Kit #	<u>KM002507</u>	<u>KM002500</u>	<u>KM002500</u>	<u>KM002504</u>	<u>KM002504</u>
	Price	\$524	\$524	\$524	\$524	\$524
Additional auto reset high limit	Kit #	<u>KM002701</u>	<u>KM002701</u>	<u>KM002701</u>	<u>KM002701</u>	<u>KM002701</u>
	Price	\$124	\$124	\$124	\$124	\$124
High/low gas pressure switches	Kit #	N/A	<u>KM002801</u>	<u>KM002800</u>	<u>KM003300</u>	<u>KM003300</u>
	Price		\$550	\$550	\$550	\$550
Alarm bell w/ silence switch for ignition failure	Kit #	<u>KM003100</u>	<u>KM003100</u>	<u>KM003100</u>	<u>KM003100</u>	<u>KM003100</u>
	Price	\$696	\$696	\$696	\$696	\$696
30psi relief valve	Kit #	<u>KM002901</u>	<u>KM002901</u>	<u>KM002901</u>	<u>KM002911</u>	<u>KM002911</u>
	Price	no charge	no charge	no charge	no charge	no charge
50psi relief valve	Kit #	<u>KM002902</u>	<u>KM002902</u>	<u>KM002902</u>	<u>KM002912</u>	<u>KM002912</u>
	Price	no charge	no charge	no charge	no charge	no charge
60psi relief valve	Kit #	<u>KM002903</u>	<u>KM002903</u>	<u>KM002903</u>	<u>KM002913</u>	<u>KM002913</u>
	Price	no charge	no charge	no charge	no charge	no charge
125psi relief valve	Kit #	<u>KM002904</u>	<u>KM002922</u>	<u>KM002922</u>	<u>KM002914</u>	<u>KM002914</u>
	Price	no charge	no charge	no charge	no charge	no charge
150psi relief valve	Kit #	<u>KM002905</u>	<u>KM002905</u>	<u>KM002905</u>	<u>KM002915</u>	<u>KM002915</u>
	Price	no charge	no charge	no charge	no charge	no charge

Accessories for Field Mounting

Order kit number as separate line item

		399	500	600	750	850
Low water cutoff	Kit #	<u>CA004902</u>	<u>CA004901</u>	<u>CA004901</u>	<u>CA004906</u>	<u>CA004906</u>
	Price	\$543	\$543	\$543	\$543	\$543
High/low gas pressure switches	Kit #	<u>CA005700</u>	<u>CA005101</u>	<u>CA005100</u>	<u>CA006700</u>	<u>CA006700</u>
	Price	\$543	\$543	\$543	\$543	\$543
Boiler pump	Kit #	<u>CA006800</u>	<u>CA005300</u>	<u>CA005301</u>	<u>CA005301</u>	<u>CA005301</u>
	Price	\$915	\$2,343	\$2,566	\$2,566	\$2,566
Common vent kit (One kit required for each NeoTherm unit)	Kit #	<u>CA016402</u>	<u>CA016402</u>			
	Price	\$1,212	\$1,212	N/A	N/A	N/A
Flush-mount concentric terminal, 4"	Kit #	<u>CA010102</u>	<u>CA010102</u>	<u>CA010102</u>	<u>CA010102</u>	<u>CA010102</u>
	Price	\$140	\$140	\$140	\$140	\$140
Propane conversion kit	Kit #	<u>CA006207</u>	<u>CA006207</u>	<u>CA006207</u>	<u>CA006207</u>	<u>CA006207</u>
	Price	\$26	\$26	\$26	\$26	\$26
Condensate neutralizer kit	Kit #	<u>A2123602</u>	<u>A2123602</u>	<u>A2123603</u>	<u>A2123603</u>	<u>A2123603</u>
	Price	\$264	\$264	\$697	\$697	\$697
Vari-Prime variable speed pump drive	Kit #	<u>CA013600</u>	<u>CA013600</u>	<u>CA013600</u>	<u>CA013600</u>	<u>CA013600</u>
	Price	\$952	\$952	\$952	\$952	\$952
Add'l auto high limit	Kit #	<u>CA005001</u>	<u>CA005001</u>	<u>CA005001</u>	<u>CA005001</u>	<u>CA005001</u>
	Price	\$121	\$121	\$121	\$121	\$121
BACnet gateway	Kit #	<u>CA010300</u>	<u>CA010300</u>	<u>CA010300</u>	<u>CA010300</u>	<u>CA010300</u>
	Price	\$3,166	\$3,166	\$3,166	\$3,166	\$3,166
LON gateway	Kit #	<u>CA010301</u>	<u>CA010301</u>	<u>CA010301</u>	<u>CA010301</u>	<u>CA010301</u>
	Price	\$3,166	\$3,166	\$3,166	\$3,166	\$3,166

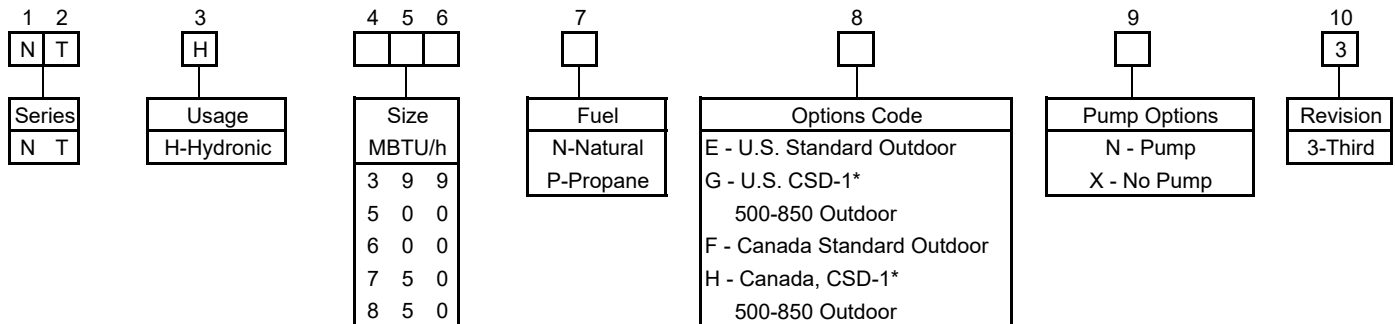
NeoTherm NTH (399-850) Outdoor Pricing - Effective July 18, 2022

Commercial Modulating Condensing Boilers

Standard Features

- High condensing efficiency
- Modulation down to 20% of full fire (5:1 turndown)
- Sealed combustion chamber
- Pre-mix stainless steel burner
- Low NOx system exceeds the most stringent regulations for air quality - 10ppm NOx
- All necessary venting items are included
- Built-in condensate trap
- Vent temperature cutoff
- ASME 160psi (1104kPa) working pressure heat exchanger
- ASME "H" stamp
- Stainless steel heat exchanger with welded construction
- 75psi (517kPa) ASME rated pressure relief valve
- Electronic PID modulating control
- Large touch screen user interface and color display
- Accepts external (4-20mA or 0-10VDC) modulation signal
- Multiple pump control for boiler pump, system pump, and indirect domestic water pump, each with delay
- Direct spark ignition
- Alarm output
- Outdoor reset (sensor included)
- Indirect water heater priority (sensor included)
- Optional pump (sized to model) included for field installation
- Temperature and pressure gauge
- Water flow switch
- On/Off toggle switch
- Drain valve
- Manual reset high limit
- Burner site glass
- Zero clearance to combustible surfaces
- 10-year limited warranty

Model Nomenclature



Pricing

No Pump

Model Number	List Price
NTH 399 (N,P) (E,F) X3	\$19,486
NTH 500 (N,P) (E,F) X3	\$24,678
NTH 600 (N,P) (E,F) X3	\$27,675
NTH 750 (N,P) (E,F) X3	\$30,273
NTH 850 (N,P) (E,F) X3	\$32,802

No Pump - With CSD-1*

Model Number	List Price
NTH 500 (N,P) (G,H) X3	\$25,768
NTH 600 (N,P) (G,H) X3	\$28,765
NTH 750 (N,P) (G,H) X3	\$31,363
NTH 850 (N,P) (G,H) X3	\$33,892

Pump Included

Model Number	List Price
NTH 399 (N,P) (E,F) N3	\$20,171
NTH 500 (N,P) (E,F) N3	\$26,417
NTH 600 (N,P) (E,F) N3	\$29,524
NTH 750 (N,P) (E,F) N3	\$32,122
NTH 850 (N,P) (E,F) N3	\$34,651

Pump Included - With CSD-1*

Model Number	List Price
NTH 500 (N,P) (G,H) N3	\$27,507
NTH 600 (N,P) (G,H) N3	\$30,614
NTH 750 (N,P) (G,H) N3	\$33,212
NTH 850 (N,P) (G,H) N3	\$35,741

List prices include a polypropylene vent terminal

*CSD-1 (model character 8 = G or H) includes low water cutoff and high/low gas pressure switches

NeoTherm NTH (399-850) Outdoor Pricing - Effective July 18, 2022

Commercial Modulating Condensing Boilers

Factory Mounted Options

Order kit number as separate line item

		399	500	600	750	850
Low water cutoff	Kit #	N/A	<u>KM002500</u>	<u>KM002500</u>	<u>KM002509</u>	<u>KM002509</u>
	Price		\$524	\$524	\$524	\$524
Additional auto reset high limit	Kit #	<u>KM002701</u>	<u>KM002701</u>	<u>KM002701</u>	<u>KM002701</u>	<u>KM002701</u>
	Price	\$124	\$124	\$124	\$124	\$124
High/low gas pressure switches	Kit #	N/A	<u>KM002801</u>	<u>KM002800</u>	<u>KM003300</u>	<u>KM003300</u>
	Price		\$550	\$550	\$550	\$550
Alarm bell with silence switch	Kit #	<u>KM003100</u>	<u>KM003100</u>	<u>KM003100</u>	<u>KM003100</u>	<u>KM003100</u>
	Price	\$696	\$696	\$696	\$696	\$696
30psi relief valve	Kit #	<u>KM002901</u>	<u>KM002901</u>	<u>KM002901</u>	<u>KM002911</u>	<u>KM002911</u>
	Price	no charge	no charge	no charge	no charge	no charge
50psi relief valve	Kit #	<u>KM002902</u>	<u>KM002902</u>	<u>KM002902</u>	<u>KM002912</u>	<u>KM002912</u>
	Price	no charge	no charge	no charge	no charge	no charge
60psi relief valve	Kit #	<u>KM002903</u>	<u>KM002903</u>	<u>KM002903</u>	<u>KM002913</u>	<u>KM002913</u>
	Price	no charge	no charge	no charge	no charge	no charge
125psi relief valve	Kit #	<u>KM002904</u>	<u>KM002922</u>	<u>KM002922</u>	<u>KM002914</u>	<u>KM002914</u>
	Price	no charge	no charge	no charge	no charge	no charge
150psi relief valve	Kit #	<u>KM002905</u>	<u>KM002905</u>	<u>KM002905</u>	<u>KM002915</u>	<u>KM002915</u>
	Price	no charge	no charge	no charge	no charge	no charge

Accessories for Field Mounting

Order kit number as separate line item

		399	500	600	750	850
Low water cutoff	Kit #	<u>CA015603</u>	<u>CA015606</u>	<u>CA015606</u>	<u>CA015605</u>	<u>CA015605</u>
	Price	\$543	\$543	\$543	\$543	\$543
High/low gas pressure switches	Kit #	<u>CA005700</u>	<u>CA005101</u>	<u>CA005100</u>	<u>CA006700</u>	<u>CA006700</u>
	Price	\$543	\$543	\$543	\$543	\$543
Boiler pump	Kit #	<u>CA018403</u>	<u>CA018404</u>	<u>CA018405</u>	<u>CA018406</u>	<u>CA018406</u>
	Price	\$968	\$2,412	\$2,637	\$2,637	\$2,637
Propane conversion kit	Kit #	<u>CA006207</u>	<u>CA006207</u>	<u>CA006207</u>	<u>CA006207</u>	<u>CA006207</u>
	Price	\$26	\$26	\$26	\$26	\$26
Condensate neutralizer kit	Kit #	<u>A2123602</u>	<u>A2123602</u>	<u>A2123603</u>	<u>A2123603</u>	<u>A2123603</u>
	Price	\$264	\$264	\$697	\$697	\$697
Vari-Prime variable speed pump drive	Kit #	<u>CA013600</u>	<u>CA013600</u>	<u>CA013600</u>	<u>CA013600</u>	<u>CA013600</u>
	Price	\$952	\$952	\$952	\$952	\$952
Add'l auto high limit	Kit #	<u>CA005001</u>	<u>CA005001</u>	<u>CA005001</u>	<u>CA005001</u>	<u>CA005001</u>
	Price	\$121	\$121	\$121	\$121	\$121
BACnet gateway	Kit #	<u>CA010300</u>	<u>CA010300</u>	<u>CA010300</u>	<u>CA010300</u>	<u>CA010300</u>
	Price	\$3,166	\$3,166	\$3,166	\$3,166	\$3,166
LON gateway	Kit #	<u>CA010301</u>	<u>CA010301</u>	<u>CA010301</u>	<u>CA010301</u>	<u>CA010301</u>
	Price	\$3,166	\$3,166	\$3,166	\$3,166	\$3,166

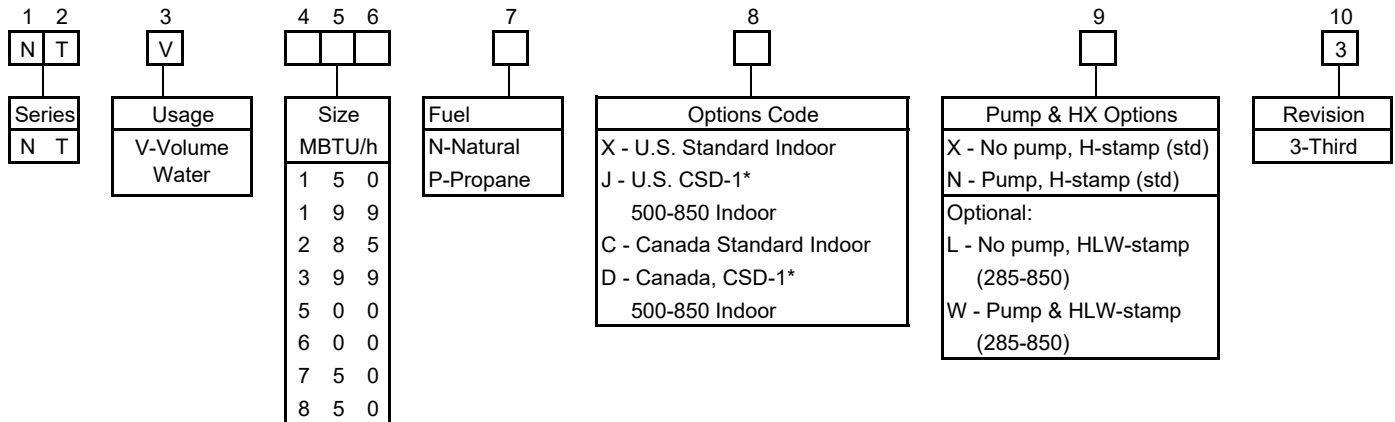
NeoTherm NTV (150-850) Indoor Pricing - Effective July 18, 2022

Commercial Modulating Condensing Water Heater

Standard Features

- High condensing efficiency
- Modulation down to 20% of full fire (5:1 turndown)
- Sealed combustion chamber
- Pre-mix stainless steel burner
- Low NOx system exceeds the most stringent regulations for air quality - 10ppm NOx
- Horizontal or vertical direct vent
- Horizontal vent and air terminals
- Vent and air pipe lengths of up to 100 equivalent feet (each)
- Built-in condensate trap
- Vent temperature cutoff
- Direct spark ignition
- ASME 160psi working pressure heat exchanger
- ASME "H" stamp
- Opt. ASME "HLW" stamp
- Stainless steel heat exchanger with welded construction
- 125psi (862kPa) ASME rated pressure relief valve
- Temperature and pressure gauge
- Drain valve
- Water flow switch (399 to 850)
- Electronic PID modulating control
- Alarm output
- Large touch screen user interface and color display
- Optional pump (sized to model) included for field installation
- Accepts external (4-20mA or 0-10VDC) modulation signal
- Built-in cascade function for up to eight NeoTherms
- On/Off toggle switch
- Manual reset high limit
- Burner site glass
- Zero clearance to combustible surfaces
- 8-year limited warranty

Model Nomenclature



Pricing

No Pump

Model Number	List Price
NTV 150 (N,P) (X,C) X 3	\$9,868
NTV 199 (N,P) (X,C) X 3	\$12,512
NTV 285 (N,P) (X,C) (X,L) 3	\$16,065
NTV 399 (N,P) (X,C) (X,L) 3	\$20,116
NTV 500 (N,P) (X,C) (X,L) 3	\$24,898
NTV 600 (N,P) (X,C) (X,L) 3	\$27,812
NTV 750 (N,P) (X,C) (X,L) 3	\$31,093
NTV 850 (N,P) (X,C) (X,L) 3	\$33,549

No Pump - With CSD-1*

Model Number	List Price
NTV 500 (N,P) (J,D) (X,L) 3	\$25,988
NTV 600 (N,P) (J,D) (X,L) 3	\$28,902
NTV 750 (N,P) (J,D) (X,L) 3	\$32,183
NTV 850 (N,P) (J,D) (X,L) 3	\$34,639

Pump Included

Model Number	List Price
NTV 150 (N,P) (X,C) N 3	\$10,609
NTV 199 (N,P) (X,C) N 3	\$13,254
NTV 285 (N,P) (X,C) (N,W) 3	\$17,045
NTV 399 (N,P) (X,C) (N,W) 3	\$22,418
NTV 500 (N,P) (X,C) (N,W) 3	\$27,199
NTV 600 (N,P) (X,C) (N,W) 3	\$29,918
NTV 750 (N,P) (X,C) (N,W) 3	\$33,198
NTV 850 (N,P) (X,C) (N,W) 3	\$35,654

Pump Included - With CSD-1*

Model Number	List Price
NTV 500 (N,P) (J,D) (N,W) 3	\$28,289
NTV 600 (N,P) (J,D) (N,W) 3	\$31,008
NTV 750 (N,P) (J,D) (N,W) 3	\$34,288
NTV 850 (N,P) (J,D) (N,W) 3	\$36,744

List prices for U.S. units include a PVC vent terminal and intake air terminal, a "starter section" of CPVC vent pipe, and adapter for standard PVC pipe.

*CSD-1 (model character 8 = J or D) includes low water cutoff and high/low gas pressure switches

NeoTherm NTV (150-850) Indoor Pricing - Effective July 18, 2022

Commercial Modulating Condensing Water Heater

Factory Mounted Options - Order kit number as separate line item

	150	199	285	399	500	600	750	850
Low water cutoff								
Kit #	N/A	N/A	N/A	N/A	<u>KM002503</u>	<u>KM002505</u>	<u>KM002506</u>	<u>KM002506</u>
Price	N/A	N/A	N/A	N/A	\$524	\$524	\$524	\$524
Additional auto reset high limit								
Kit #	<u>KM002701</u>	<u>KM002701</u>	<u>KM002701</u>	<u>KM002701</u>	<u>KM002701</u>	<u>KM002701</u>	<u>KM002701</u>	<u>KM002701</u>
Price	\$124	\$124	\$124	\$124	\$124	\$124	\$124	\$124
High/low gas pressure switches								
Kit #	N/A	N/A	N/A	N/A	<u>KM002801</u>	<u>KM002800</u>	<u>KM003300</u>	<u>KM003300</u>
Price	N/A	N/A	N/A	N/A	\$550	\$550	\$550	\$550
Alarm bell w/ silence switch for ignition failure								
Kit #	<u>KM003100</u>	<u>KM003100</u>	<u>KM003100</u>	<u>KM003100</u>	<u>KM003100</u>	<u>KM003100</u>	<u>KM003100</u>	<u>KM003100</u>
Price	\$696	\$696	\$696	\$696	\$696	\$696	\$696	\$696
60 psi relief valve - No charge								
Kit #	<u>KM002916</u>	<u>KM002916</u>	<u>KM002916</u>	<u>KM002916</u>	<u>KM002919</u>	<u>KM002919</u>	<u>KM002919</u>	<u>KM002919</u>
75 psi relief valve - No charge								
Kit #	<u>KM002917</u>	<u>KM002917</u>	<u>KM002917</u>	<u>KM002917</u>	<u>KM002920</u>	<u>KM002920</u>	<u>KM002920</u>	<u>KM002920</u>
150 psi relief valve - No charge								
Kit #	<u>KM002918</u>	<u>KM002918</u>	<u>KM002918</u>	<u>KM002918</u>	<u>KM002921</u>	<u>KM002921</u>	<u>KM002921</u>	<u>KM002921</u>

Accessories for Field Mounting - Order kit number as separate line item

	150	199	285	399	500	600	750	850
Water flow switch								
Kit #	<u>CA004805</u>	<u>CA004805</u>	<u>CA004804</u>	Standard	Standard	Standard	Standard	Standard
Price	\$261	\$261	\$261					
Low water cutoff								
Kit #	<u>CA004905</u>	<u>CA004905</u>	<u>CA004904</u>	<u>CA004904</u>	<u>CA004904</u>	<u>CA004907</u>	<u>CA004904</u>	<u>CA004904</u>
Price	\$543	\$543	\$543	\$543	\$543	\$543	\$543	\$543
High/low gas pressure switches								
Kit #	<u>CA005700</u>	<u>CA005700</u>	<u>CA005700</u>	<u>CA005700</u>	<u>CA005101</u>	<u>CA005100</u>	<u>CA006700</u>	<u>CA006700</u>
Price	\$543	\$543	\$543	\$543	\$543	\$543	\$543	\$543
Heater pump								
Kit #	<u>CA007000</u>	<u>CA007001</u>	<u>CA007002</u>	<u>CA007003</u>	<u>CA007003</u>	<u>CA007004</u>	<u>CA007004</u>	<u>CA007004</u>
Price	\$960	\$985	\$1,112	\$3,251	\$3,251	\$2,994	\$2,994	\$2,994
Common vent kit (One kit required for each NeoTherm unit)								
Kit #	<u>CA016401</u>	<u>CA016401</u>	<u>CA016402</u>	<u>CA016402</u>	<u>CA016402</u>	N/A	N/A	N/A
Price	\$1,184	\$1,184	\$1,212	\$1,212	\$1,212			
Concentric vent terminal, 2"								
Kit #	<u>239-44069-02</u>	<u>239-44069-02</u>	N/A	N/A	N/A	N/A	N/A	N/A
Price	\$140	\$140						
Concentric vent terminal, 3"								
Kit #	<u>239-44069-01</u>	<u>239-44069-01</u>	<u>239-44069-01</u>	N/A	N/A	N/A	N/A	N/A
Price	\$140	\$140	\$140					
Flush-mount concentric vent terminal, 3"								
Kit #	<u>CA010101</u>	<u>CA010101</u>	<u>CA010101</u>	N/A	N/A	N/A	N/A	N/A
Price	\$130	\$130	\$130					
Flush-mount concentric vent terminal, 4"								
Kit #	N/A	N/A	<u>CA010102</u>	<u>CA010102</u>	<u>CA010102</u>	<u>CA010102</u>	<u>CA010102</u>	<u>CA010102</u>
Price			\$140	\$140	\$140	\$140	\$140	\$140
Propane conversion kit								
Kit #	<u>CA006203</u>	<u>CA006204</u>	<u>CA006205</u>	<u>CA006207</u>	<u>CA006207</u>	<u>CA006207</u>	<u>CA006207</u>	<u>CA006207</u>
Price	\$64	\$64	\$64	\$26	\$26	\$26	\$26	\$26
Condensate neutralizer kit								
Kit #	<u>A2123601</u>	<u>A2123601</u>	<u>A2123602</u>	<u>A2123602</u>	<u>A2123602</u>	<u>A2123603</u>	<u>A2123603</u>	<u>A2123603</u>
Price	\$165	\$165	\$264	\$264	\$264	\$697	\$697	\$697
Add'l auto high limit				Kit #	<u>CA005001</u>			
(for all sizes)				Price	\$121			
BACnet gateway				Kit #	<u>CA010300</u>			
(for all sizes)				Price	\$3,166			
LON gateway				Kit #	<u>CA010301</u>			
(for all sizes)				Price	\$3,166			

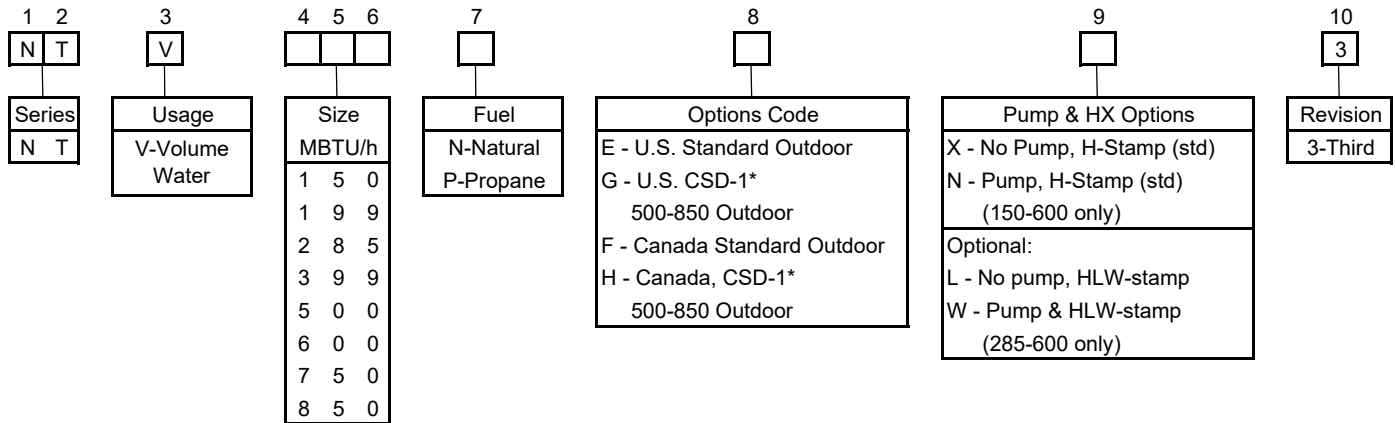
NeoTherm NTV (150-850) Outdoor Pricing - Effective July 18, 2022

Commercial Modulating Condensing Water Heater

Standard Features

- High condensing efficiency
- Modulation down to 20% of full fire (5:1 turndown)
- Sealed combustion chamber
- Pre-mix stainless steel burner
- Low NOx system exceeds the most stringent regulations for air quality - 10ppm NOx
- Built-in condensate trap
- All necessary venting items are included
- ASME 160psi working pressure heat exchanger
- 8-year limited warranty
- ASME "H" stamp
- Opt. ASME "HLW" stamp
- Stainless steel heat exchanger with welded construction
- 125psi (862kPa) ASME rated pressure relief valve
- Temperature and pressure gauge
- Drain valve
- Water flow switch (399 to 850)
- Electronic PID modulating control
- Large touch screen user interface and color display
- Vent temperature cutoff
- Direct spark ignition
- Alarm output
- Optional pump (sized to model) included for field installation (150-750 only)
- Accepts external (4-20mA or 0-10VDC) modulation signal
- Built-in cascade function for up to eight NeoTherms
- On/Off toggle switch
- Manual reset high limit
- Burner site glass
- Zero clearance to combustible surfaces

Model Nomenclature



Pricing

No Pump

Model Number	List Price
NTV 150 (N,P) (E,F) X 3	\$10,362
NTV 199 (N,P) (E,F) X 3	\$13,139
NTV 285 (N,P) (E,F) (X,L) 3	\$16,869
NTV 399 (N,P) (E,F) (X,L) 3	\$21,082
NTV 500 (N,P) (E,F) (X,L) 3	\$26,142
NTV 600 (N,P) (E,F) (X,L) 3	\$29,198
NTV 750 (N,P) (E,F) (X,L) 3	\$32,520
NTV 850 (N,P) (E,F) (X,L) 3	\$35,225

No Pump - With CSD-1*

Model Number	List Price
NTV 500 (N,P) (G,H) (X,L) 3	\$27,232
NTV 600 (N,P) (G,H) (X,L) 3	\$30,288
NTV 750 (N,P) (G,H) (X,L) 3	\$33,609
NTV 850 (N,P) (G,H) (X,L) 3	\$36,315

Pump Included

Model Number	List Price
NTV 150 (N,P) (E,F) N 3	\$11,177
NTV 199 (N,P) (E,F) N 3	\$13,952
NTV 285 (N,P) (E,F) (N,W) 3	\$17,921
NTV 399 (N,P) (E,F) (N,W) 3	\$23,458
NTV 500 (N,P) (E,F) (N,W) 3	\$28,518
NTV 600 (N,P) (E,F) (N,W) 3	\$31,378

Pump Included - With CSD-1*

Model Number	List Price
NTV 500 (N,P) (G,H) (N,W) 3	\$29,608
NTV 600 (N,P) (G,H) (N,W) 3	\$32,468

List prices include a polypropylene vent terminal

*CSD-1 (model character 8 = G or H) includes low water cutoff and high/low gas pressure switches

NeoTherm NTV (150-850) Outdoor Pricing - Effective July 18, 2022

Commercial Modulating Condensing Water Heater

Factory Mounted Options - Order kit number as separate line item

	150	199	285	399	500	600	750	850
Low water cutoff								
Kit #	N/A	N/A	N/A	N/A	<u>KM002503</u>	<u>KM002505</u>	<u>KM002506</u>	<u>KM002506</u>
Price					\$524	\$524	\$524	\$524
Additional auto reset high limit								
Kit #	<u>KM002701</u>	<u>KM002701</u>	<u>KM002701</u>	<u>KM002701</u>	<u>KM002701</u>	<u>KM002701</u>	<u>KM002701</u>	<u>KM002701</u>
Price	\$124	\$124	\$124	\$124	\$124	\$124	\$124	\$124
High/low gas pressure switches								
Kit #	N/A	N/A	N/A	N/A	<u>KM002801</u>	<u>KM002800</u>	<u>KM003300</u>	<u>KM003300</u>
Price					\$550	\$550	\$550	\$550
Alarm bell w/ silence switch for ignition failure								
Kit #	<u>KM003100</u>	<u>KM003100</u>	<u>KM003100</u>	<u>KM003100</u>	<u>KM003100</u>	<u>KM003100</u>	<u>KM003100</u>	<u>KM003100</u>
Price	\$696	\$696	\$696	\$696	\$696	\$696	\$696	\$696
60 psi relief valve - No charge								
Kit #	<u>KM002916</u>	<u>KM002916</u>	<u>KM002916</u>	<u>KM002916</u>	<u>KM002919</u>	<u>KM002919</u>	<u>KM002919</u>	<u>KM002919</u>
75 psi relief valve - No charge								
Kit #	<u>KM002917</u>	<u>KM002917</u>	<u>KM002917</u>	<u>KM002917</u>	<u>KM002920</u>	<u>KM002920</u>	<u>KM002920</u>	<u>KM002920</u>
150 psi relief valve - No charge								
Kit #	<u>KM002918</u>	<u>KM002918</u>	<u>KM002918</u>	<u>KM002918</u>	<u>KM002921</u>	<u>KM002921</u>	<u>KM002921</u>	<u>KM002921</u>

Accessories for Field Mounting - Order kit number as separate line item

	150	199	285	399	500	600	750	850
Water flow switch								
Kit #	<u>CA015502</u>	<u>CA015502</u>	<u>CA015504</u>	Standard	Standard	Standard	Standard	Standard
Price	\$261	\$261	\$261					
Low water cutoff								
Kit #	<u>CA015602</u>	<u>CA015602</u>	<u>CA015604</u>	<u>CA015604</u>	<u>CA015604</u>	<u>CA015604</u>	<u>CA015604</u>	<u>CA015604</u>
Price	\$543	\$543	\$543	\$543	\$543	\$543	\$543	\$543
High/low gas pressure switches								
Kit #	<u>CA005700</u>	<u>CA005700</u>	<u>CA005700</u>	<u>CA005700</u>	<u>CA005101</u>	<u>CA005100</u>	<u>CA006700</u>	<u>CA006700</u>
Price	\$543	\$543	\$543	\$543	\$543	\$543	\$543	\$543
Heater pump								
Kit #	<u>CA018501</u>	<u>CA018502</u>	<u>CA018503</u>	<u>CA018506</u>	<u>CA018504</u>	<u>CA018505</u>	<u>CA018505</u>	<u>CA018505</u>
Price	\$1,031	\$1,054	\$1,183	\$3,321	\$3,321	\$2,891	\$2,891	\$2,891
Propane conversion kit								
Kit #	<u>CA006203</u>	<u>CA006204</u>	<u>CA006205</u>	<u>CA006207</u>	<u>CA006207</u>	<u>CA006207</u>	<u>CA006207</u>	<u>CA006207</u>
Price	\$64	\$64	\$64	\$26	\$26	\$26	\$26	\$26
Condensate neutralizer kit								
Kit #	<u>A2123601</u>	<u>A2123601</u>	<u>A2123602</u>	<u>A2123602</u>	<u>A2123602</u>	<u>A2123603</u>	<u>A2123603</u>	<u>A2123603</u>
Price	\$165	\$165	\$264	\$264	\$264	\$697	\$697	\$697
Add'l auto high limit (for all sizes)				Kit #	<u>CA005001</u>			
				Price	\$121			
BACnet gateway (for all sizes)				Kit #	<u>CA010300</u>			
				Price	\$3,166			
LON gateway (for all sizes)				Kit #	<u>CA010301</u>			
				Price	\$3,166			

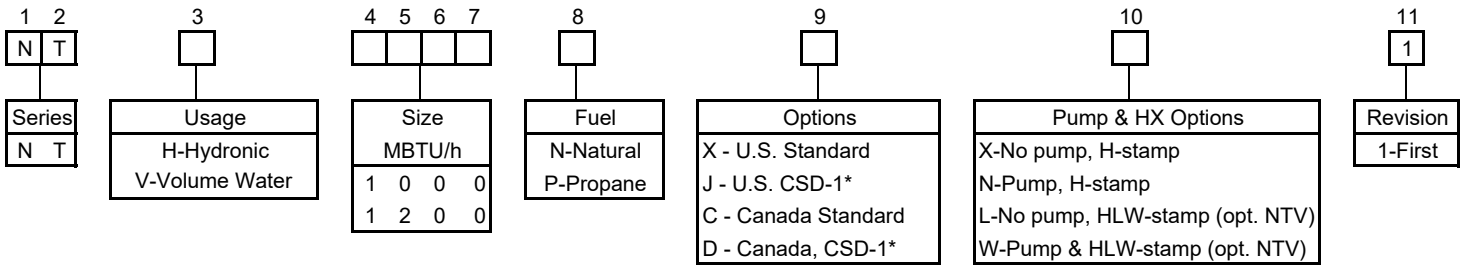
NeoTherm LC (1000-1200) Pricing - Effective July 18, 2022

Commercial Modulating Condensing Boilers and Water Heater

Standard Features

- High condensing efficiency
- Modulation down to 10% of full fire (10:1 turndown)
- Sealed combustion chamber
- Pre-mix stainless steel burner
- Low NOx system exceeds the most stringent regulations for air quality - 10ppm NOx
- For indoor or outdoor placement
- Horizontal or vertical direct vent
- Vent and air pipe lengths of up to 100 equivalent feet (each)
- Electronic PID modulating control, large touchscreen & color display
- Accepts external (4-20mA or 0-10VDC) modulation signal
- Controller cascades up to three other NeoTherm LC units to lead/lag a total of four units together
- Multiple pump control for boiler pump, system pump, and indirect domestic water pump, each with delay
- Alarm output
- Direct spark ignition
- Sensor for domestic water tank
- Indirect water heater priority (boiler)
- Optional pump (sized to model) included for field installation
- Outdoor reset (boiler)
- Outdoor air temperature sensor (boiler)
- Manual reset high limit
- On/Off toggle switch
- Vent temperature cutoff
- Built-in condensate trap
- ASME 160psi working pressure heat exchanger
- Stainless steel heat exchanger with welded construction
- ASME "H" stamp
- ASME rated pressure relief valve
Boiler: 75psi (517kPa)
Volume Water: 125psi (862kPa)
- Water flow switch
- Temperature and pressure gauge
- Burner site glass
- 10-year limited warranty- boiler
- 8-year limited warranty- water heater

Model Nomenclature



Pricing

No Pump

Model Number	List Price
NTH 1000 N (X,C) X 1	\$47,916
NTH 1000 P (X,C) X 1	\$47,916
NTH 1200 N (X,C) X 1	\$58,903
NTH 1200 P (X,C) X 1	\$58,903
NTV 1000 N (X,C) (X,L) 1	\$50,735
NTV 1000 P (X,C) (X,L) 1	\$50,735
NTV 1200 N (X,C) (X,L) 1	\$61,722
NTV 1200 P (X,C) (X,L) 1	\$61,722

No Pump - With CSD-1*

Model Number	List Price
NTH 1000 N (J,D) X 1	\$49,380
NTH 1000 P (J,D) X 1	\$49,380
NTH 1200 N (J,D) X 1	\$60,367
NTH 1200 P (J,D) X 1	\$60,367
NTV 1000 N (J,D) (X,L) 1	\$52,199
NTV 1000 P (J,D) (X,L) 1	\$52,199
NTV 1200 N (J,D) (X,L) 1	\$63,186
NTV 1200 P (J,D) (X,L) 1	\$63,186

Pump Included

Model Number	List Price
NTH 1000 N (X,C) N 1	\$50,090
NTH 1000 P (X,C) N 1	\$50,090
NTH 1200 N (X,C) N 1	\$61,076
NTH 1200 P (X,C) N 1	\$61,076
NTV 1000 N (X,C) (N,W) 1	\$53,257
NTV 1000 P (X,C) (N,W) 1	\$53,257
NTV 1200 N (X,C) (N,W) 1	\$64,244
NTV 1200 P (X,C) (N,W) 1	\$64,244

Pump Included - With CSD-1*

Model Number	List Price
NTH 1000 N (J,D) N 1	\$51,554
NTH 1000 P (J,D) N 1	\$51,554
NTH 1200 N (J,D) N 1	\$62,540
NTH 1200 P (J,D) N 1	\$62,540
NTV 1000 N (J,D) (N,W) 1	\$54,721
NTV 1000 P (J,D) (N,W) 1	\$54,721
NTV 1200 N (J,D) (N,W) 1	\$65,708
NTV 1200 P (J,D) (N,W) 1	\$65,708

*CSD-1, FM, GAP, IL (model character 9 = J or D) includes low water cutoff and high/low gas pressure switches

NeoTherm LC (1000-1200) Pricing - Effective July 18, 2022
Commercial Modulating Condensing Boilers and Water Heater

Factory Mounted Options

Order kit number as separate line item

		NTH1000	NTV1000	NTH1200	NTV1200
Low water cutoff	Kit #	<u>KM004300</u>	<u>KM004302</u>	<u>KM004300</u>	<u>KM004302</u>
	Price	\$524	\$524	\$524	\$524
High/low gas pressure switches	Kit #	<u>KM004500</u>	<u>KM004500</u>	<u>KM004500</u>	<u>KM004500</u>
	Price	\$870	\$870	\$870	\$870
Additional auto reset high limit*	Kit #	<u>KM004400</u>	<u>KM004402</u>	<u>KM004400</u>	<u>KM004402</u>
	Price	\$393	\$393	\$393	\$393
Additional manual reset high limit*	Kit #	<u>KM004401</u>	<u>KM004403</u>	<u>KM004401</u>	<u>KM004403</u>
	Price	\$393	\$393	\$393	\$393
Alarm bell w/silence switch - ignition failure	Kit #	<u>KM004200</u>	<u>KM004200</u>	<u>KM004200</u>	<u>KM004200</u>
	Price	\$677	\$677	\$677	\$677
Air filter	Kit #	<u>KM005000</u>	<u>KM005000</u>	<u>KM005000</u>	<u>KM005000</u>
	Price	\$673	\$673	\$673	\$673
Vari-Prime variable speed pump frequency drive	Kit #	<u>KM004900</u>	<u>n/a</u>	<u>KM004900</u>	<u>n/a</u>
	Price	\$952		\$952	
BACnet gateway	Kit #	<u>KM005600</u>	<u>KM005600</u>	<u>KM005600</u>	<u>KM005600</u>
	Price	\$3,166	\$3,166	\$3,166	\$3,166
LON gateway	Kit #	<u>KM005601</u>	<u>KM005601</u>	<u>KM005601</u>	<u>KM005601</u>
	Price	\$3,166	\$3,166	\$3,166	\$3,166

*Additional auto reset high limit and additional manual reset high limit cannot be ordered together.

Alternate Pressure Relief Valves

Order kit number as separate line item

		NTH1000	NTV1000	NTH1200	NTV1200
30 psi relief valve	Kit #	<u>KM004101</u>	<u>KM004106</u>	<u>KM004101</u>	<u>KM004106</u>
	Price	no charge	no charge	no charge	no charge
50 psi relief valve	Kit #	<u>KM004102</u>	<u>KM004107</u>	<u>KM004111</u>	<u>KM004112</u>
	Price	no charge	no charge	no charge	no charge
60 psi relief valve	Kit #	<u>KM004103</u>	<u>KM004108</u>	<u>KM004103</u>	<u>KM004108</u>
	Price	no charge	no charge	no charge	no charge
75 psi relief valve	Kit #	Standard	<u>KM004109</u>	Standard	<u>KM004109</u>
	Price		no charge		no charge
125 psi relief valve	Kit #	<u>KM004104</u>	Standard	<u>KM004104</u>	Standard
	Price	no charge		no charge	
150 psi relief valve	Kit #	<u>KM004105</u>	<u>KM004110</u>	<u>KM004105</u>	<u>KM004110</u>
	Price	no charge	no charge	no charge	no charge

NeoTherm LC (1000-1200) Pricing - Effective July 18, 2022

Commercial Modulating Condensing Boilers and Water Heater

Accessories for Field Mounting					
		NTH1000	NTV1000	NTH1200	NTV1200
Low water cutoff	Kit #	<u>CA009400</u>	<u>CA009401</u>	<u>CA009400</u>	<u>CA009401</u>
	Price	\$413	\$413	\$413	\$413
High/low gas pressure switches	Kit #	<u>CA009300</u>	<u>CA009300</u>	<u>CA009300</u>	<u>CA009300</u>
	Price	\$781	\$781	\$781	\$781
Pump Kit	Kit #	<u>CA018300</u>	<u>CA018301</u>	<u>CA018300</u>	<u>CA018301</u>
	Price	\$3,065	\$3,537	\$3,065	\$3,537
Envirocon outdoor sensor for single boiler installation	Kit #	<u>CA013700</u>	<u>CA013700</u>	<u>CA013700</u>	<u>CA013700</u>
	Price	\$925	\$925	\$925	\$925
Air filter	Kit #	<u>CA009800</u>	<u>CA009800</u>	<u>CA009800</u>	<u>CA009800</u>
	Price	\$547	\$547	\$547	\$547
Conversion kit, nat to LP	Kit #	<u>CA008600</u>	<u>CA008600</u>	<u>CA008600</u>	<u>CA008600</u>
	Price	\$27	\$27	\$27	\$27
Additional auto reset high limit*	Kit #	<u>CA010000</u>	<u>CA010002</u>	<u>CA010000</u>	<u>CA010002</u>
	Price	\$400	\$400	\$400	\$400
Additional manual reset high limit*	Kit #	<u>CA010001</u>	<u>CA010003</u>	<u>CA010001</u>	<u>CA010003</u>
	Price	\$400	\$400	\$400	\$400
Vari-Prime variable speed pump frequency drive	Kit #	<u>CA009900</u>	n/a	<u>CA009900</u>	n/a
	Price	\$1,000		\$1,000	
BACnet gateway	Kit #	<u>CA010300</u>	<u>CA010300</u>	<u>CA010300</u>	<u>CA010300</u>
	Price	\$3,166	\$3,166	\$3,166	\$3,166
LON gateway	Kit #	<u>CA010301</u>	<u>CA010301</u>	<u>CA010301</u>	<u>CA010301</u>
	Price	\$3,166	\$3,166	\$3,166	\$3,166
Neutralizer Kit	Kit #	<u>A2123603</u>	<u>A2123603</u>	<u>A2123603</u>	<u>A2123603</u>
	Price	\$697	\$697	\$697	\$697
Neutralizer Kit with Pump	Kit #	<u>A2123610</u>	<u>A2123610</u>	<u>A2123610</u>	<u>A2123610</u>
	Price	\$2,381	\$2,381	\$2,381	\$2,381

*Additional auto reset high limit and additional manual reset high limit cannot be ordered together.

Vent Accessories					
		NTH1000	NTV1000	NTH1200	NTV1200
Horizontal/vertical vent terminal for PVC/CPVC	Kit #	<u>CA008300</u>	<u>CA008300</u>	<u>CA008300</u>	<u>CA008300</u>
	Price	\$468	\$468	\$468	\$468
Horizontal vent terminal for SSTL/PP	Kit #	<u>D2004500</u>	<u>D2004500</u>	<u>D2004500</u>	<u>D2004500</u>
	Price	\$625	\$625	\$625	\$625
Horizontal air terminal for PVC/CPVC	Kit #	<u>CA008100</u>	<u>CA008100</u>	<u>CA008100</u>	<u>CA008100</u>
	Price	\$443	\$443	\$443	\$443
Horizontal air terminal for SSTL/PP	Kit #	<u>CA008200</u>	<u>CA008200</u>	<u>CA008200</u>	<u>CA008200</u>
	Price	\$360	\$360	\$360	\$360
Vertical air terminal for PVC/CPVC	Kit #	<u>CA008400</u>	<u>CA008400</u>	<u>CA008400</u>	<u>CA008400</u>
	Price	\$738	\$738	\$738	\$738
Screen kit for SSTL/PP vertical air or vent pipe	Kit #	<u>CA008500</u>	<u>CA008500</u>	<u>CA008500</u>	<u>CA008500</u>
	Price	\$46	\$46	\$46	\$46
Outdoor vent terminal	Kit #	<u>CA008900</u>	<u>CA008900</u>	<u>CA008900</u>	<u>CA008900</u>
	Price	\$1,257	\$1,257	\$1,257	\$1,257
Outdoor air terminal	Kit #	<u>CA008700</u>	<u>CA008700</u>	<u>CA008700</u>	<u>CA008700</u>
	Price	\$233	\$233	\$233	\$233

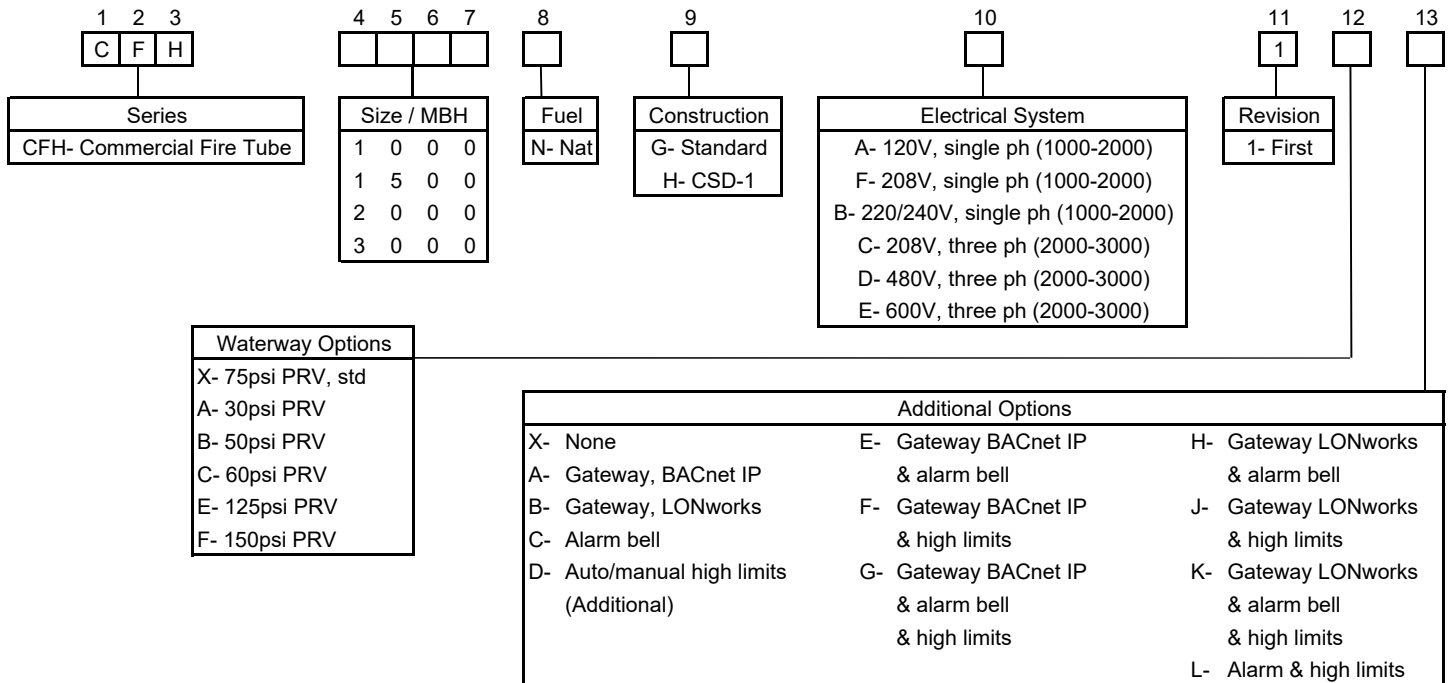
MagnaTherm FT Pricing - Effective July 18, 2022

Commercial Fire Tube Condensing 20:1 Boiler with Laars Linc Control

Standard Features

- ASME "H" stamp
- 160 psi maximum working pressure
- Certified for Category II and Category IV vent systems
- Indoor / outdoor
- Low NOx system exceeds the most stringent regulations for air quality
- High condensing efficiency
- 20:1 modulation turndown
- Sophisticated gas/air valve allows for constant control of modulation
- Tru Trac real-time O₂ sensing maintains efficiency throughout the modulation range
- Stainless steel vertical firetube heat exchanger with welded construction
- Sealed combustion chamber
- Pre-mix stainless steel burner
- Electronic PID modulating control with large touchscreen and color display
- Multiple, independent heat demands
- VARI-PRIME boiler pump control via user-selectable fixed boiler temperature rise
- Wired and programmed to control boiler isolation valves
- Controller cascades with up to eight MagnaTherm FT boilers
- Accepts 4-20ma or 0-10VDC external modulation or external set point control
- Modbus RTU & BACnet MSTP on board
- Multiple pump control for boiler pump, system pump, & indirect DHW water pump, each with delay
- Indirect DHW priority
- Sensor for indirect DHW tank
- Outdoor reset with sensor
- Horizontal or vertical direct vent
- Vent and air pipe lengths of up to 100 equivalent feet (each)
- Vent temperature cutoff
- Normally open alarm contact
- Air filter
- Built-in condensate trap
- Temperature & pressure gauge
- Low water cutoff
- Water flow switch
- 75 psi (517kPa) ASME rated pressure relief valve
- Burner site glass
- Heat exchanger warranty: 10-Year limited non-prorated 25-yr limited thermal shock
- 1-Year limited parts warranty

Model Nomenclature



List Pricing

Standard	List Price
CFH1000 N G (A,B,F) 1 X X	\$56,518
CFH1500 N G (A,B,F) 1 X X	\$69,296
CFH2000 N G (A,B,C,D,E,F) 1 X X	\$79,380
CFH3000 N G (C,D,E) 1 X X	\$119,275

CSD-1	List Price
CFH1000 N H (A,B,F) 1 X X	\$56,943
CFH1500 N H (A,B,F) 1 X X	\$69,721
CFH2000 N H (A,B,C,D,E,F) 1 X X	\$79,805
CFH3000 N H (C,D,E) 1 X X	\$119,700

MagnaTherm FT Pricing - Effective July 18, 2022
Commercial Fire Tube Condensing 20:1 Boiler with Laars Linc Control

List Pricing - Optional Configurations

Waterway Options - 12th character code

Add amount shown to list price

	1000	1500	2000	3000
X - std MGH	n/c	n/c	n/c	n/c
A, B, C, E, F - Alternate PRV's	n/c	n/c	n/c	n/c

Additional Options - 13th character code

Add amount shown to list price

	1000	1500	2000	3000
X- None	n/c	n/c	n/c	n/c
A- Gateway, BACnet IP & Modbus TCP/IP	\$3,101	\$3,101	\$3,101	\$3,101
B- Gateway, LonWorks	\$3,101	\$3,101	\$3,101	\$3,101
C- Alarm bell	\$569	\$569	\$569	\$569
D- Additional auto & manual reset high limits	\$841	\$841	\$841	\$841
E- Gateway BACnet & alarm bell	\$3,670	\$3,670	\$3,670	\$3,670
F- Gateway BACnet & high limits	\$3,942	\$3,942	\$3,942	\$3,942
G- Gateway BACnet & alarm & high limits	\$4,511	\$4,511	\$4,511	\$4,511
H- Gateway LonWorks & alarm bell	\$3,670	\$3,670	\$3,670	\$3,670
J- Gateway LonWorks & high limits	\$3,942	\$3,942	\$3,942	\$3,942
K- Gateway LonWorks & alarm & high limits	\$4,511	\$4,511	\$4,511	\$4,511
L- Alarm & high limits	\$1,410	\$1,410	\$1,410	\$1,410

Accessories for Field Mounting

	Part Number	List Price
Motorized isolation valve	CA017300	\$3,149
Gateway for BACnet IP and Modbus TCP/IP	CA010316	\$3,166
Gateway for LonWorks	CA010317	\$3,166
Condensate neutralizer	A2123603	\$697
Condensate neutralizer with pump	A2123610	\$2,381

Vent / Air Accessories for MagnaTherms Placed Indoors

Vent/Exhaust	1000		1500		2000		3000	
	Kit#	List Price	Kit#	List Price	Kit#	List Price	Kit#	List Price
Horiz vent terminal for SSTL	D2012004	\$583	D2012001	\$693	D2012001	\$693	D2012002	\$762
Screen kit for horiz CPVC vent	CA012104	\$358	CA012101	\$436	CA012101	\$436	CA012102	\$645
Screen for vertical SSTL vent	CA011904	\$97	CA011901	\$106	CA011901	\$106	CA011902	\$138
Screen for vertical CPVC vent	CA012504	\$307	CA012501	\$380	CA012501	\$380	CA012502	\$585

Ducted Air	1000		1500		2000		3000	
	Kit#	List Price	Kit#	List Price	Kit#	List Price	Kit#	List Price
Screen for horiz PVC air pipe	CA012004	\$172	CA012001	\$299	CA012001	\$299	CA012002	\$357
Screen for horiz polyprop air pipe	CA012200	\$281	CA012201	\$281	CA012201	\$281	CA012202	\$316
Screen for horiz galv air pipe	D2012204	\$67	D2012201	\$67	D2012201	\$67	D2012202	\$67
Screen for vert polyprop air pipe	CA012604	\$522	CA012601	\$383	CA012601	\$383	CA012602	\$492
Screen for vert galv air pipe	D2012204	\$67	D2012201	\$67	D2012201	\$67	D2012202	\$67

Vent / Air Accessories for MagnaTherms Placed Outdoors

	1000		1500		2000		3000	
	Kit#	List Price	Kit#	List Price	Kit#	List Price	Kit#	List Price
Vent terminal, outdoor	CA017201	\$1,596	CA017202	\$2,310	CA017202	\$2,310	CA017203	\$3,140
Screen kit for air, outdoor	CA011904	\$97	CA011901	\$106	CA011901	\$106	CA011901	\$106

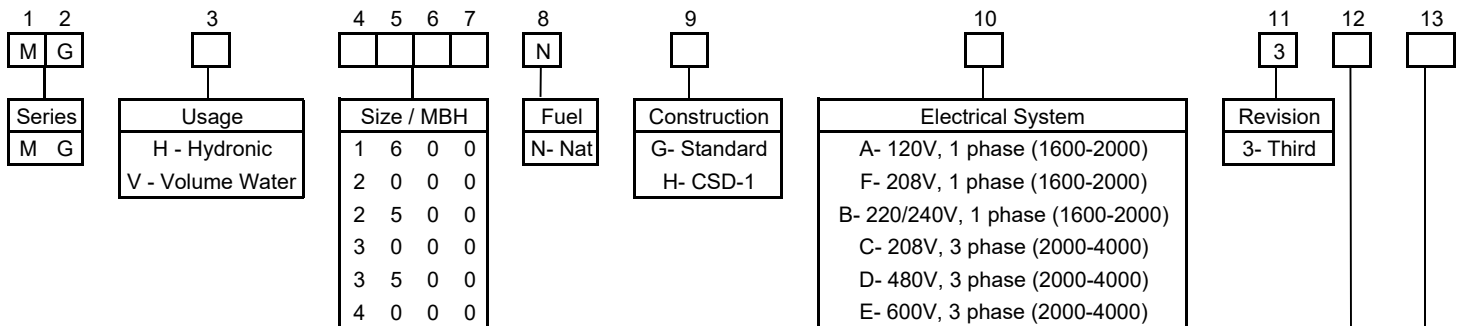
MagnaTherm HTD Pricing - Effective July 18, 2022

High Efficiency Condensing 20:1 Boiler / Water Heater MGH & MGV with Laars Linc Control

Standard Features

- ASME "H" stamp (MGH)
- ASME "HLW" stamp (MGV)
- 160 psi maximum working pressure
- Certified for Category II and Category IV vent systems
- Indoor / outdoor
- Low NOx system exceeds the most stringent regulations for air quality - 9ppm NOx
- High condensing efficiency
- 20:1 modulation turndown
- Sophisticated gas/air valve allows for constant control of modulation
- Tru Trac real-time O₂ sensing maintains efficiency throughout the modulation range
- Sealed combustion chamber
- Stainless steel heat exchanger with welded construction
- Pre-mix stainless steel burner
- Electronic PID modulating control with large touchscreen and color display
- Multiple, independent heat demands
- VARI-PRIME boiler pump control with fixed delta T control for variable flow through boiler (MGH)
- Control cascades with up to eight MagnaTherm units
- Accepts 4-20ma or 0-10VDC external modulation or external set point control
- Modbus RTU & BACnet MSTP on board
- Multiple pump control, each with delay
- Indirect DHW priority (MGH)
- Domestic water sensor
- Outdoor reset with sensor (MGH)
- Horizontal or vertical direct vent
- Vent and air pipe lengths of up to 100 equivalent feet (each)
- Knock-down feature: Removable top section for easy handling and installation
- Vent temperature cutoff
- Normally open alarm contact
- Air filter
- Built-in condensate trap
- Water flow switch
- Temperature & pressure gauge
- Low water cutoff
- 75 psi (517kPa) ASME rated pressure relief valve (MGH)
- 125 psi (861kPa) ASME rated pressure relief valve (MGV)
- Groove lock fittings (optional flange adapter)
- Burner site glass
- 10-year limited warranty

Model Nomenclature



Waterway Options

X- std MGH, 75psi PRV, H-Stamp	N- MGV w/ H-Stamp, 30psi PRV
W- std MGV, 125psi PRV, HLW-Stamp	P- MGV w/ H-Stamp, 50psi PRV
A- 30psi PRV	R- MGV w/ H-Stamp, 60psi PRV
B- 50psi PRV	S- MGV w/ H-Stamp, 75psi PRV
C- 60psi PRV	T- MGV w/ H-Stamp, 125psi PRV
D- MGV 75psi PRV	U- MGV w/ H-Stamp, 150psi PRV
E- MGH 125psi PRV	2- Flange kit, MGV w/ H-Stamp, 30psi PRV
F- 150psi PRV	3- Flange kit, MGV w/ H-Stamp, 50psi PRV
G- Flange kit & 30psi PRV	4- Flange kit, MGV w/ H-Stamp, 60psi PRV
H- Flange kit & 50psi PRV	5- Flange kit, MGV w/ H-Stamp, 75psi PRV
J- Flange kit & 60psi PRV	6- Flange kit, MGV w/ H-Stamp, 125psi PRV
K- Flange kit & 75psi PRV	7- Flange kit, MGV w/ H-Stamp, 150psi PRV
L- Flange kit & 125psi PRV	
M- Flange kit & 150psi PRV	

Additional Options

X- None	H- Gateway LonWorks & alarm bell
A- Gateway, BACnet*	J- Gateway LonWorks & high limits
B- Gateway, LonWorks	K- Gateway LonWorks & alarm bell
C- Alarm bell	L- Alarm & high limits
D- Auto & manual high limits - additional	
E- Gateway BACnet* & alarm bell	
F- Gateway BACnet* & high limits	
G- Gateway BACnet* & alarm bell & high limits	

*BACnet gateway is used for BACnet IP and Modbus TCP/IP

MagnaTherm HTD Pricing - Effective July 18, 2022

High Efficiency Condensing 20:1 Boiler / Water Heater MGH & MGV with Laars Linc Control

List Pricing

Boiler, Standard

Model	List Price
MGH1600 N G (A,B,F) 3 X X	\$69,410
MGH2000 N G (A,B,C,D,E,F) 3 X X	\$79,380
MGH2500 N G (C,D,E) 3 X X	\$104,710
MGH3000 N G (C,D,E) 3 X X	\$119,275
MGH3500 N G (C,D,E) 3 X X	\$136,479
MGH4000 N G (C,D,E) 3 X X	\$152,295

Boiler, CSD-1

Model	List Price
MGH1600 N H (A,B,F) 3 X X	\$69,835
MGH2000 N H (A,B,C,D,E,F) 3 X X	\$79,805
MGH2500 N H (C,D,E) 3 X X	\$105,135
MGH3000 N H (C,D,E) 3 X X	\$119,700
MGH3500 N H (C,D,E) 3 X X	\$136,904
MGH4000 N H (C,D,E) 3 X X	\$152,720

Water Heater, Standard

Model	List Price
MGV1600 N G (A,B,F) 3 W X	\$69,410
MGV2000 N G (A,B,C,D,E,F) 3 W X	\$79,380
MGV2500 N G (C,D,E) 3 W X	\$104,710
MGV3000 N G (C,D,E) 3 W X	\$119,275
MGV3500 N G (C,D,E) 3 W X	\$136,479
MGV4000 N G (C,D,E) 3 W X	\$152,295

Water Heater, CSD-1

Model	List Price
MGV1600 N H (A,B,F) 3 W X	\$69,835
MGV2000 N H (A,B,C,D,E,F) 3 W X	\$79,805
MGV2500 N H (C,D,E) 3 W X	\$105,135
MGV3000 N H (C,D,E) 3 W X	\$119,700
MGV3500 N H (C,D,E) 3 W X	\$136,904
MGV4000 N H (C,D,E) 3 W X	\$152,720

List Pricing - Optional Configurations

Waterway Options - 12th character code

Add amount shown to list price

	1600	2000	2500	3000	3500	4000
X - std MGH	n/c	n/c	n/c	n/c	n/c	n/c
W - std MGV	n/c	n/c	n/c	n/c	n/c	n/c
A, B, C, D, E, F - Alternate PRV's	n/c	n/c	n/c	n/c	n/c	n/c
G, H, J, K, L, M - Flange kits	\$697	\$697	\$697	\$697	\$1,885	\$1,885
N, P, R, S, T, U - MGV H-Stamp	n/c	n/c	n/c	n/c	n/c	n/c
2, 3, 4, 5, 6, 7 - Flange kits, MGV H-Stamp	\$697	\$697	\$697	\$697	\$1,885	\$1,885

Additional Options - 13th character code

Add amount shown to list price

	1600	2000	2500	3000	3500	4000
X- None	n/c	n/c	n/c	n/c	n/c	n/c
A- Gateway, BACnet IP & Modbus TCP/IP	\$3,101	\$3,101	\$3,101	\$3,101	\$3,101	\$3,101
B- Gateway, LonWorks	\$3,101	\$3,101	\$3,101	\$3,101	\$3,101	\$3,101
C- Alarm bell	\$569	\$569	\$569	\$569	\$569	\$569
D- Additional auto & manual reset high limits	\$841	\$841	\$841	\$841	\$841	\$841
E- Gateway BACnet & alarm bell	\$3,670	\$3,670	\$3,670	\$3,670	\$3,670	\$3,670
F- Gateway BACnet & high limits	\$3,942	\$3,942	\$3,942	\$3,942	\$3,942	\$3,942
G- Gateway BACnet & alarm & high limits	\$4,511	\$4,511	\$4,511	\$4,511	\$4,511	\$4,511
H- Gateway LonWorks & alarm bell	\$3,670	\$3,670	\$3,670	\$3,670	\$3,670	\$3,670
J- Gateway LonWorks & high limits	\$3,942	\$3,942	\$3,942	\$3,942	\$3,942	\$3,942
K- Gateway LonWorks & alarm & high limits	\$4,511	\$4,511	\$4,511	\$4,511	\$4,511	\$4,511
L- Alarm & high limits	\$1,410	\$1,410	\$1,410	\$1,410	\$1,410	\$1,410

MagnaTherm HTD Pricing - Effective July 18, 2022

High Efficiency Condensing 20:1 Boiler / Water Heater MGH & MGW with Laars Linc Control

Accessories for Field Mounting

		1600	2000	2500	3000	3500	4000
Gateway for BACnet IP and Modbus TCP/IP	Kit #	<u>CA010308</u>	<u>CA010308</u>	<u>CA010308</u>	<u>CA010308</u>	<u>CA010308</u>	<u>CA010308</u>
	Price	\$3,166	\$3,166	\$3,166	\$3,166	\$3,166	\$3,166
Gateway for LonWorks	Kit #	<u>CA010309</u>	<u>CA010309</u>	<u>CA010309</u>	<u>CA010309</u>	<u>CA010309</u>	<u>CA010309</u>
	Price	\$3,166	\$3,166	\$3,166	\$3,166	\$3,166	\$3,166
Condensate neutralizer	Kit #	<u>A2123603</u>	<u>A2123603</u>	<u>A2123603</u>	<u>A2123603</u>	<u>A2123603</u>	<u>A2123603</u>
	Price	\$697	\$697	\$697	\$697	\$697	\$697
Condensate neutralizer with pump	Kit #	<u>A2123610</u>	<u>A2123610</u>	<u>A2123610</u>	<u>A2123610</u>	<u>A2123610</u>	<u>A2123610</u>
	Price	\$2,381	\$2,381	\$2,381	\$2,381	\$2,381	\$2,381

Vent / Air Accessories for MagnaTherms Placed Indoors

Vent/Exhaust		1600	2000	2500	3000	3500	4000
Horiz vent terminal for SSTL	Kit #	<u>D2012004</u>	<u>D2012001</u>	<u>D2012001</u>	<u>D2012002</u>	<u>D2012002</u>	<u>D2012003</u>
	Price	\$583	\$693	\$693	\$762	\$762	\$977
Screen kit for horiz CPVC vent	Kit #	<u>CA012104</u>	<u>CA012101</u>	<u>CA012101</u>	<u>CA012102</u>	<u>CA012102</u>	<u>CA012103</u>
	Price	\$358	\$436	\$436	\$645	\$645	\$645
Screen for horiz polypropylene vent	Kit #	<u>CA012304</u>	<u>CA012301</u>	<u>CA012301</u>	<u>CA012302</u>	<u>CA012302</u>	<u>CA012303</u>
	Price	\$512	\$392	\$392	\$490	\$490	\$899
Screen for vertical SSTL vent	Kit #	<u>CA011904</u>	<u>D2012301</u>	<u>D2012301</u>	<u>D2012302</u>	<u>D2012302</u>	<u>D2012303</u>
	Price	\$97	\$67	\$67	\$67	\$67	\$79
Screen for vertical CPVC vent	Kit #	<u>CA012504</u>	<u>CA012501</u>	<u>CA012501</u>	<u>CA012502</u>	<u>CA012502</u>	<u>CA012503</u>
	Price	\$307	\$380	\$380	\$585	\$585	\$585
Screen for vertical polypropylene vent	Kit #	<u>CA012704</u>	<u>CA012701</u>	<u>CA012701</u>	<u>CA012702</u>	<u>CA012702</u>	<u>CA012703</u>
	Price	\$173	\$197	\$197	\$213	\$213	\$280

Ducted Air

Adapter/screen kit for PVC air pipe	Kit #	<u>CA012004</u>	<u>CA012001</u>	<u>CA012001</u>	<u>CA012002</u>	<u>CA012002</u>	<u>CA012003</u>
	Price	\$172	\$299	\$299	\$357	\$357	\$320
Screen for horiz polyprop air pipe	Kit #	<u>CA012200</u>	<u>CA012201</u>	<u>CA012201</u>	<u>CA012202</u>	<u>CA012202</u>	<u>CA012203</u>
	Price	\$281	\$281	\$281	\$316	\$316	\$585
Screen for horiz or vert galv air pipe	Kit #	<u>D2012204</u>	<u>D2012201</u>	<u>D2012201</u>	<u>D2012202</u>	<u>D2012202</u>	<u>D2012203</u>
	Price	\$67	\$67	\$67	\$67	\$67	\$79
Screen for vert polyprop air pipe	Kit #	<u>CA012604</u>	<u>CA012601</u>	<u>CA012601</u>	<u>CA012602</u>	<u>CA012602</u>	<u>CA012603</u>
	Price	\$522	\$383	\$383	\$492	\$492	\$905

Vent / Air Accessories for MagnaTherms Placed Outdoors

		1600	2000	2500	3000	3500	4000
Vent terminal, outdoor	Kit #	<u>CA017201</u>	<u>CA017202</u>	<u>CA017202</u>	<u>CA017203</u>	<u>CA017203</u>	<u>CA017204</u>
	Price	\$1,596	\$2,310	\$2,310	\$3,140	\$3,140	\$3,938
Screen kit for air, outdoor	Kit #	<u>CA011904</u>	<u>CA011901</u>	<u>CA011901</u>	<u>CA011902</u>	<u>CA011902</u>	<u>CA011903</u>
	Price	\$97	\$106	\$106	\$138	\$138	\$163

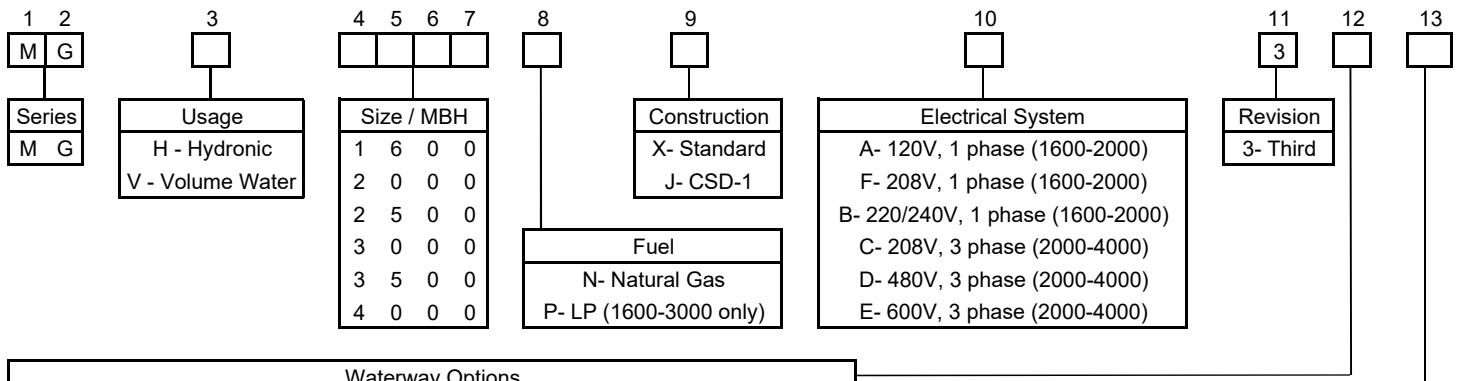
MagnaTherm Pricing - Effective July 18, 2022

High Efficiency Condensing 5:1 Boiler / Water Heater MGH & MGV with Laars Linc Control

Standard Features

- ASME "H" stamp (MGH)
- ASME "HLW" stamp (MGV)
- 160 psi maximum working pressure
- Indoor / outdoor
- Low NOx system exceeds the most stringent regulations for air quality - 9ppm NOx
- High condensing efficiency
- 5:1 modulation turndown
- Sophisticated gas/air valve allows for constant control of modulation
- Sealed combustion chamber
- Pre-mix stainless steel burner
- Stainless steel heat exchanger with welded construction
- Electronic PID modulating control with large touchscreen and color display
- Multiple, independent heat demands
- VARI-PRIME boiler pump control with fixed delta T control for variable flow through boiler (MGH)
- Control cascades with up to eight MagnaTherm units
- Accepts 4-20ma or 0-10VDC external modulation or external set point control
- Modbus RTU & BACnet MSTP on board
- Multiple pump control, each with delay
- Indirect DHW priority (MGH)
- Domestic water sensor
- Outdoor reset with sensor (MGH)
- Horizontal or vertical direct vent
- Vent and air pipe lengths of up to 100 equivalent feet (each)
- Knock-down feature: Removable top section for easy handling and installation
- Vent temperature cutoff
- Normally open alarm contact
- Air filter
- Built-in condensate trap
- Water flow switch
- Temperature & pressure gauge
- Low water cutoff
- 75 psi (517kPa) ASME rated pressure relief valve (MGH)
- 125 psi (861kPa) ASME rated pressure relief valve (MGV)
- Groove lock fittings (optional flange adapter)
- Burner site glass
- 10-year limited warranty

Model Nomenclature



Waterway Options

X- std MGH, 75psi PRV, H-Stamp	N- MGV w/ H-Stamp, 30psi PRV
W- std MGV, 125psi PRV, HLW-Stamp	P- MGV w/ H-Stamp, 50psi PRV
A- 30psi PRV	R- MGV w/ H-Stamp, 60psi PRV
B- 50psi PRV	S- MGV w/ H-Stamp, 75psi PRV
C- 60psi PRV	T- MGV w/ H-Stamp, 125psi PRV
D- MGV 75psi PRV	U- MGV w/ H-Stamp, 150psi PRV
E- MGH 125psi PRV	2- Flange kit, MGV w/ H-Stamp, 30psi PRV
F- 150psi PRV	3- Flange kit, MGV w/ H-Stamp, 50psi PRV
G- Flange kit & 30psi PRV	4- Flange kit, MGV w/ H-Stamp, 60psi PRV
H- Flange kit & 50psi PRV	5- Flange kit, MGV w/ H-Stamp, 75psi PRV
J- Flange kit & 60psi PRV	6- Flange kit, MGV w/ H-Stamp, 125psi PRV
K- Flange kit & 75psi PRV	7- Flange kit, MGV w/ H-Stamp, 150psi PRV
L- Flange kit & 125psi PRV	
M- Flange kit & 150psi PRV	

Additional Options

X- None	H- Gateway LonWorks & alarm bell
A- Gateway, BACnet*	J- Gateway LonWorks & high limits
B- Gateway, LonWorks	K- Gateway LonWorks & alarm bell
C- Alarm bell	L- Alarm & high limits
D- Auto & manual high limits - additional	
E- Gateway BACnet* & alarm bell	
F- Gateway BACnet* & high limits	
G- Gateway BACnet* & alarm bell & high limits	

*BACnet gateway is used for BACnet IP and Modbus TCP/IP

MagnaTherm Pricing - Effective July 18, 2022

High Efficiency Condensing 5:1 Boiler / Water Heater MGH & MGV with Laars Linc Control

List Pricing

Boiler, Standard

Model	List Price
MGH 1600 (N,P) X (A,B,F) 3XX	\$68,343
MGH 2000 (N,P) X (A,B,C,D,E,F) 3XX	\$76,256
MGH 2500 (N,P) X (C,D,E) 3XX	\$95,243
MGH 3000 (N,P) X (C,D,E) 3XX	\$107,000
MGH 3500 N X (C,D,E) 3XX	\$125,747
MGH 4000 N X (C,D,E) 3XX	\$134,016

Boiler, CSD-1

Model	List Price
MGH 1600 (N,P) J (A,B,F) 3XX	\$68,768
MGH 2000 (N,P) J (A,B,C,D,E,F) 3XX	\$76,681
MGH 2500 (N,P) J (C,D,E) 3XX	\$95,668
MGH 3000 (N,P) J (C,D,E) 3XX	\$107,425
MGH 3500 N J (C,D,E) 3XX	\$126,172
MGH 4000 N J (C,D,E) 3XX	\$134,441

Water Heater, Standard

Model	List Price
MGV 1600 (N,P) X (A,B,F) 3WX	\$68,343
MGV 2000 (N,P) X (A,B,C,D,E,F) 3WX	\$76,256
MGV 2500 (N,P) X (C,D,E) 3WX	\$95,243
MGV 3000 (N,P) X (C,D,E) 3WX	\$107,000
MGV 3500 N X (C,D,E) 3WX	\$125,747
MGV 4000 N X (C,D,E) 3WX	\$134,016

Water Heater, CSD-1

Model	List Price
MGV 1600 (N,P) J (A,B,F) 3WX	\$68,768
MGV 2000 (N,P) J (A,B,C,D,E,F) 3WX	\$76,681
MGV 2500 (N,P) J (C,D,E) 3WX	\$95,668
MGV 3000 (N,P) J (C,D,E) 3WX	\$107,425
MGV 3500 N J (C,D,E) 3WX	\$126,172
MGV 4000 N J (C,D,E) 3WX	\$134,441

List Pricing - Optional Configurations

Waterway Options - 12th character code

Add amount shown to list price

	1600	2000	2500	3000	3500	4000
X - std MGH	n/c	n/c	n/c	n/c	n/c	n/c
W - std MGV	n/c	n/c	n/c	n/c	n/c	n/c
A, B, C, D, E, F - Alternate PRV's	n/c	n/c	n/c	n/c	n/c	n/c
G, H, J, K, L, M - Flange kits	\$697	\$697	\$697	\$697	\$1,885	\$1,885
N, P, R, S, T, U - MGV H-Stamp	n/c	n/c	n/c	n/c	n/c	n/c
2, 3, 4, 5, 6, 7 - Flange kits, MGV H-Stamp	\$697	\$697	\$697	\$697	\$1,885	\$1,885

Additional Options - 13th character code

Add amount shown to list price

	1600	2000	2500	3000	3500	4000
X- None	n/c	n/c	n/c	n/c	n/c	n/c
A- Gateway, BACnet IP & Modbus TCP/IP	\$3,101	\$3,101	\$3,101	\$3,101	\$3,101	\$3,101
B- Gateway, LonWorks	\$3,101	\$3,101	\$3,101	\$3,101	\$3,101	\$3,101
C- Alarm bell	\$569	\$569	\$569	\$569	\$569	\$569
D- Additional auto & manual reset high limits	\$841	\$841	\$841	\$841	\$841	\$841
E- Gateway BACnet & alarm bell	\$3,670	\$3,670	\$3,670	\$3,670	\$3,670	\$3,670
F- Gateway BACnet & high limits	\$3,942	\$3,942	\$3,942	\$3,942	\$3,942	\$3,942
G- Gateway BACnet & alarm & high limits	\$4,511	\$4,511	\$4,511	\$4,511	\$4,511	\$4,511
H- Gateway LonWorks & alarm bell	\$3,670	\$3,670	\$3,670	\$3,670	\$3,670	\$3,670
J- Gateway LonWorks & high limits	\$3,942	\$3,942	\$3,942	\$3,942	\$3,942	\$3,942
K- Gateway LonWorks & alarm & high limits	\$4,511	\$4,511	\$4,511	\$4,511	\$4,511	\$4,511
L- Alarm & high limits	\$1,410	\$1,410	\$1,410	\$1,410	\$1,410	\$1,410

MagnaTherm Pricing - Effective July 18, 2022

High Efficiency Condensing 5:1 Boiler / Water Heater MGH & MGV with Laars Linc Control

Accessories for Field Mounting

		1600	2000	2500	3000	3500	4000
Gateway for BACnet IP and Modbus TCP/IP	Kit #	<u>CA010312</u>	<u>CA010312</u>	<u>CA010312</u>	<u>CA010312</u>	<u>CA010312</u>	<u>CA010312</u>
	Price	\$3,166	\$3,166	\$3,166	\$3,166	\$3,166	\$3,166
Gateway for LonWorks	Kit #	<u>CA010313</u>	<u>CA010313</u>	<u>CA010313</u>	<u>CA010313</u>	<u>CA010313</u>	<u>CA010313</u>
	Price	\$3,166	\$3,166	\$3,166	\$3,166	\$3,166	\$3,166
Condensate neutralizer	Kit #	<u>A2123603</u>	<u>A2123603</u>	<u>A2123603</u>	<u>A2123603</u>	<u>A2123603</u>	<u>A2123603</u>
	Price	\$697	\$697	\$697	\$697	\$697	\$697
Condensate neutralizer with pump	Kit #	<u>A2123610</u>	<u>A2123610</u>	<u>A2123610</u>	<u>A2123610</u>	<u>A2123610</u>	<u>A2123610</u>
	Price	\$2,381	\$2,381	\$2,381	\$2,381	\$2,381	\$2,381

Vent / Air Accessories for MagnaTherms Placed Indoors

Vent/Exhaust		1600	2000	2500	3000	3500	4000
Horiz vent terminal for SSTL	Kit #	<u>D2012004</u>	<u>D2012001</u>	<u>D2012001</u>	<u>D2012002</u>	<u>D2012002</u>	<u>D2012003</u>
	Price	\$583	\$693	\$693	\$762	\$762	\$977
Screen kit for horiz CPVC vent	Kit #	<u>CA012104</u>	<u>CA012101</u>	<u>CA012101</u>	<u>CA012102</u>	<u>CA012102</u>	<u>CA012103</u>
	Price	\$358	\$436	\$436	\$645	\$645	\$645
Screen for horiz polypropylene vent	Kit #	<u>CA012304</u>	<u>CA012301</u>	<u>CA012301</u>	<u>CA012302</u>	<u>CA012302</u>	<u>CA012303</u>
	Price	\$512	\$392	\$392	\$490	\$490	\$899
Screen for vertical SSTL vent	Kit #	<u>CA011904</u>	<u>D2012301</u>	<u>D2012301</u>	<u>D2012302</u>	<u>D2012302</u>	<u>D2012303</u>
	Price	\$97	\$67	\$67	\$67	\$67	\$79
Screen for vertical CPVC vent	Kit #	<u>CA012504</u>	<u>CA012501</u>	<u>CA012501</u>	<u>CA012502</u>	<u>CA012502</u>	<u>CA012503</u>
	Price	\$307	\$380	\$380	\$585	\$585	\$585
Screen for vertical polypropylene vent	Kit #	<u>CA012704</u>	<u>CA012701</u>	<u>CA012701</u>	<u>CA012702</u>	<u>CA012702</u>	<u>CA012703</u>
	Price	\$173	\$197	\$197	\$213	\$213	\$280

Ducted Air

Adapter/screen kit for PVC air pipe	Kit #	<u>CA012004</u>	<u>CA012001</u>	<u>CA012001</u>	<u>CA012002</u>	<u>CA012002</u>	<u>CA012003</u>
	Price	\$172	\$299	\$299	\$357	\$357	\$320
Screen for horiz polyprop air pipe	Kit #	<u>CA012200</u>	<u>CA012201</u>	<u>CA012201</u>	<u>CA012202</u>	<u>CA012202</u>	<u>CA012203</u>
	Price	\$281	\$281	\$281	\$316	\$316	\$585
Screen for horiz or vert galv air pipe	Kit #	<u>D2012204</u>	<u>D2012201</u>	<u>D2012201</u>	<u>D2012202</u>	<u>D2012202</u>	<u>D2012203</u>
	Price	\$67	\$67	\$67	\$67	\$67	\$79
Screen for vert polyprop air pipe	Kit #	<u>CA012604</u>	<u>CA012601</u>	<u>CA012601</u>	<u>CA012602</u>	<u>CA012602</u>	<u>CA012603</u>
	Price	\$522	\$383	\$383	\$492	\$492	\$905

Vent / Air Accessories for MagnaTherms Placed Outdoors

		1600	2000	2500	3000	3500	4000
Vent terminal, outdoor	Kit #	<u>CA017201</u>	<u>CA017202</u>	<u>CA017202</u>	<u>CA017203</u>	<u>CA017203</u>	<u>CA017204</u>
	Price	\$1,596	\$2,310	\$2,310	\$3,140	\$3,140	\$3,938
Screen kit for air, outdoor	Kit #	<u>CA011904</u>	<u>CA011901</u>	<u>CA011901</u>	<u>CA011902</u>	<u>CA011902</u>	<u>CA011903</u>
	Price	\$97	\$106	\$106	\$138	\$138	\$163

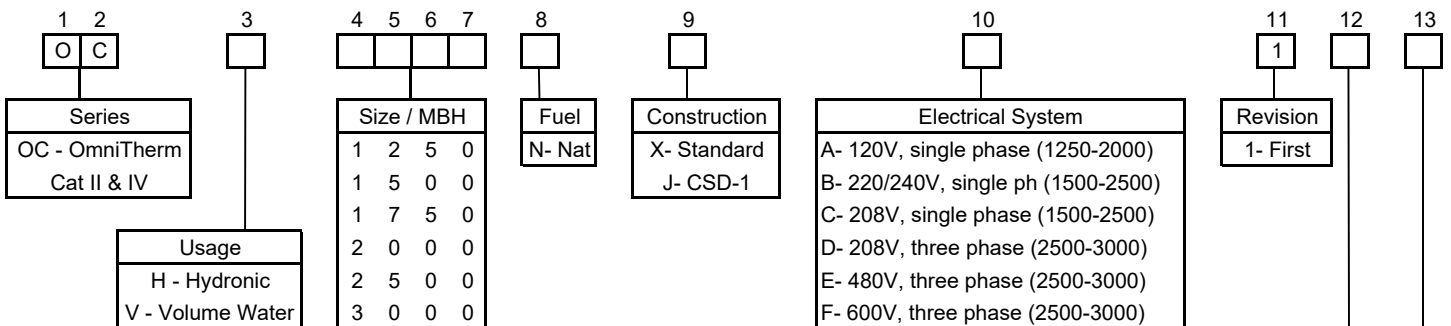
OmniTherm - Cat II / IV Vent Pricing - Effective July 18, 2022

Commercial Boiler / Water Heater Models OCH & OCV - For Vent Category II / IV

Standard Features

- ASME "H" stamp (OCH)
- ASME "HLW" stamp (OCV)
- 160 psi maximum working pressure
- Certified for Category II & IV vent
- Indoor / outdoor
- Low NOx system exceeds the most stringent NOx regulations
- Sophisticated gas/air valve allows for constant control of combustion
- Sealed combustion chamber
- Stainless steel heat exchanger with welded construction
- Pre-mix stainless steel burner
- Electronic PID modulating control with large touchscreen and color display
- Multiple, independent heat demands
- VARI-PRIME boiler pump control with fixed delta T control for variable flow through boiler (OCH)
- Control cascades with up to eight OmniTherm OCH / OCV units
- Accepts 4-20ma or 0-10VDC external modulation or external set point control
- Modbus RTU & BACnet MSTP on board
- Multiple pump control, each with delay
- Indirect DHW priority (OCH)
- Domestic water sensor
- Outdoor reset with sensor (OCH)
- Vent temperature cutoff
- Cat IV horizontal or vertical direct vent
- Cat IV vent & air pipe lengths of up to 100 equivalent feet (each)
- Normally open alarm contact
- Air filter
- Water flow switch
- Temperature & pressure gauge
- Low water cutoff
- 75 psi (517kPa) ASME rated pressure relief valve (OCH)
- 125 psi (861kPa) ASME rated pressure relief valve (OCV)
- Groove lock fittings (optional flange adapter)
- Burner site glass
- 10-yr limited warranty

Model Nomenclature



Waterway Options	
X- std OCH, 75psi PRV, H-Stamp	N- OCV w/ H-Stamp, 30psi PRV
W- std OCV, 125psi PRV, HLW-Stamp	P- OCV w/ H-Stamp, 50psi PRV
A- 30psi PRV	R- OCV w/ H-Stamp, 60psi PRV
B- 50psi PRV	S- OCV w/ H-Stamp, 75psi PRV
C- 60psi PRV	T- OCV w/ H-Stamp, 125psi PRV
D- OCV 75psi PRV	U- OCV w/ H-Stamp, 150psi PRV
E- OCH 125psi PRV	2- Flange kit, OCV H-Stamp, 30psi PRV
F- 150psi PRV	3- Flange kit, OCV H-Stamp, 50psi PRV
G- Flange kit & 30psi PRV	4- Flange kit, OCV H-Stamp, 60psi PRV
H- Flange kit & 50psi PRV	5- Flange kit, OCV H-Stamp, 75psi PRV
J- Flange kit & 60psi PRV	6- Flange kit, OCV H-Stamp, 125psi PRV
K- Flange kit & 75psi PRV	7- Flange kit, OCV H-Stamp, 150psi PRV
L- Flange kit & 125psi PRV	
M- Flange kit & 150psi PRV	

Additional Options	
X- None	H- Gateway LONworks & alarm bell
A- Gateway, BACnet IP	J- Gateway LONworks & high limits
B- Gateway, LONworks	K- Gateway LONworks & alarm bell
C- Alarm bell	L- Alarm & high limits
D- Auto & manual high limits	
E- Gateway BACnet IP & alarm bell	
F- Gateway BACnet IP & high limits	
G- Gateway BACnet IP & alarm bell & high limits	

OmniTherm - Cat II / IV Vent Pricing - Effective July 18, 2022
Commercial Boiler / Water Heater Models OCH & OCV - For Vent Category II / IV

List Pricing

Boiler, Standard

Model	List Price
OCH 1250 N X A 1 X X	\$40,518
OCH 1500 N X (A, B, C) 1 X X	\$43,785
OCH 1750 N X (A, B, C) 1 X X	\$46,248
OCH 2000 N X (A, B, C) 1 X X	\$49,870
OCH 2500 N X (B, C, D, E, F) 1 X X	\$53,766
OCH 3000 N X (D, E, F) 1 X X	\$58,591

Boiler, CSD-1

Model	List Price
OCH 1250 N J A 1 X X	\$41,003
OCH 1500 N J (A, B, C) 1 X X	\$44,270
OCH 1750 N J (A, B, C) 1 X X	\$46,733
OCH 2000 N J (A, B, C) 1 X X	\$50,355
OCH 2500 N J (B, C, D, E, F) 1 X X	\$54,251
OCH 3000 N J (D, E, F) 1 X X	\$59,076

Water Heater, Standard

Model	List Price
OCV 1250 N X A 1 W X	\$40,518
OCV 1500 N X (A, B, C) 1 W X	\$43,785
OCV 1750 N X (A, B, C) 1 W X	\$46,248
OCV 2000 N X (A, B, C) 1 W X	\$49,870
OCV 2500 N X (B, C, D, E, F) 1 W X	\$53,766
OCV 3000 N X (D, E, F) 1 W X	\$58,591

Water Heater, CSD-1

Model	List Price
OCV 1250 N J A 1 W X	\$41,003
OCV 1500 N J (A, B, C) 1 W X	\$44,270
OCV 1750 N J (A, B, C) 1 W X	\$46,733
OCV 2000 N J (A, B, C) 1 W X	\$50,355
OCV 2500 N J (B, C, D, E, F) 1 W X	\$54,251
OCV 3000 N J (D, E, F) 1 W X	\$59,076

List Pricing - Optional Configurations

Waterway Options - 12th character code

Add amount shown to list price

	1250	1500	1750	2000	2500	3000
X - std OCH	n/c	n/c	n/c	n/c	n/c	n/c
W - std OCV	n/c	n/c	n/c	n/c	n/c	n/c
A, B, C, D, E, F - Alternate PRV's	n/c	n/c	n/c	n/c	n/c	n/c
G, H, J, K, L, M - Flange kits	\$697	\$697	\$697	\$697	\$697	\$697
N, P, R, S, T, U - OCV H-Stamp	n/c	n/c	n/c	n/c	n/c	n/c
2, 3, 4, 5, 6, 7 - Flange kits, OCV H-Stamp	\$697	\$697	\$697	\$697	\$697	\$697

Additional Options - 13th character code

Add amount shown to list price

	1250	1500	1750	2000	2500	3000
X- None	n/c	n/c	n/c	n/c	n/c	n/c
A- Gateway, BACnet IP & Modbus TCP/IP	\$3,101	\$3,101	\$3,101	\$3,101	\$3,101	\$3,101
B- Gateway, LonWorks	\$3,101	\$3,101	\$3,101	\$3,101	\$3,101	\$3,101
C- Alarm bell	\$569	\$569	\$569	\$569	\$569	\$569
D- Additional auto & manual reset high limits	\$841	\$841	\$841	\$841	\$841	\$841
E- Gateway BACnet & alarm bell	\$3,670	\$3,670	\$3,670	\$3,670	\$3,670	\$3,670
F- Gateway BACnet & high limits	\$3,942	\$3,942	\$3,942	\$3,942	\$3,942	\$3,942
G- Gateway BACnet & alarm & high limits	\$4,511	\$4,511	\$4,511	\$4,511	\$4,511	\$4,511
H- Gateway LonWorks & alarm bell	\$3,670	\$3,670	\$3,670	\$3,670	\$3,670	\$3,670
J- Gateway LonWorks & high limits	\$3,942	\$3,942	\$3,942	\$3,942	\$3,942	\$3,942
K- Gateway LonWorks & alarm & high limits	\$4,511	\$4,511	\$4,511	\$4,511	\$4,511	\$4,511
L- Alarm & high limits	\$1,410	\$1,410	\$1,410	\$1,410	\$1,410	\$1,410

OmniTherm - Cat II / IV Vent Pricing - Effective July 18, 2022

Commercial Boiler / Water Heater OCH & OCV with Laars Linc Control

Accessories for Field Mounting

		1250	1500	1750	2000	2500	3000
Gateway for BACnet IP and Modbus TCP/IP	Kit #	<u>CA010312</u>	<u>CA010312</u>	<u>CA010312</u>	<u>CA010312</u>	<u>CA010312</u>	<u>CA010312</u>
	Price	\$3,166	\$3,166	\$3,166	\$3,166	\$3,166	\$3,166
Gateway for LonWorks	Kit #	<u>CA010313</u>	<u>CA010313</u>	<u>CA010313</u>	<u>CA010313</u>	<u>CA010313</u>	<u>CA010313</u>
	Price	\$3,166	\$3,166	\$3,166	\$3,166	\$3,166	\$3,166
Condensate neutralizer	Kit #	<u>A2123603</u>	<u>A2123603</u>	<u>A2123603</u>	<u>A2123603</u>	<u>A2123603</u>	<u>A2123603</u>
	Price	\$697	\$697	\$697	\$697	\$697	\$697
Condensate neutralizer/pump	Kit #	<u>A2123610</u>	<u>A2123610</u>	<u>A2123610</u>	<u>A2123610</u>	<u>A2123610</u>	<u>A2123610</u>
	Price	\$2,381	\$2,381	\$2,381	\$2,381	\$2,381	\$2,381

Vent / Air Accessories for OmniTherms Placed Indoors

		1250	1500	1750	2000	2500	3000
Horizontal Vent Terminal	Kit #	<u>D2012004</u>	<u>D2012004</u>	<u>D2012001</u>	<u>D2012001</u>	<u>D2012001</u>	<u>D2012002</u>
	Price	\$583	\$583	\$693	\$693	\$693	\$762
Screen for Air Terminal	Kit #	<u>CA011904</u>	<u>CA011904</u>	<u>CA011901</u>	<u>CA011901</u>	<u>CA011901</u>	<u>CA011902</u>
	Price	\$97	\$97	\$106	\$106	\$106	\$138

Vent / Air Accessories for OmniTherms Placed Outdoors

		1250	1500	1750	2000	2500	3000
Vent terminal, outdoor	Kit #	<u>CA016702</u>	<u>CA016702</u>	<u>CA016802</u>	<u>CA017602</u>	<u>CA017602</u>	<u>CA017800</u>
	Price	\$1,527	\$1,527	\$2,008	\$2,008	\$2,008	\$2,604
Screen kit for air, outdoor	Kit #	<u>CA016900</u>	<u>CA016900</u>	<u>CA017000</u>	<u>CA017000</u>	<u>CA017000</u>	<u>CA018100</u>
	Price	\$82	\$82	\$86	\$86	\$86	\$98

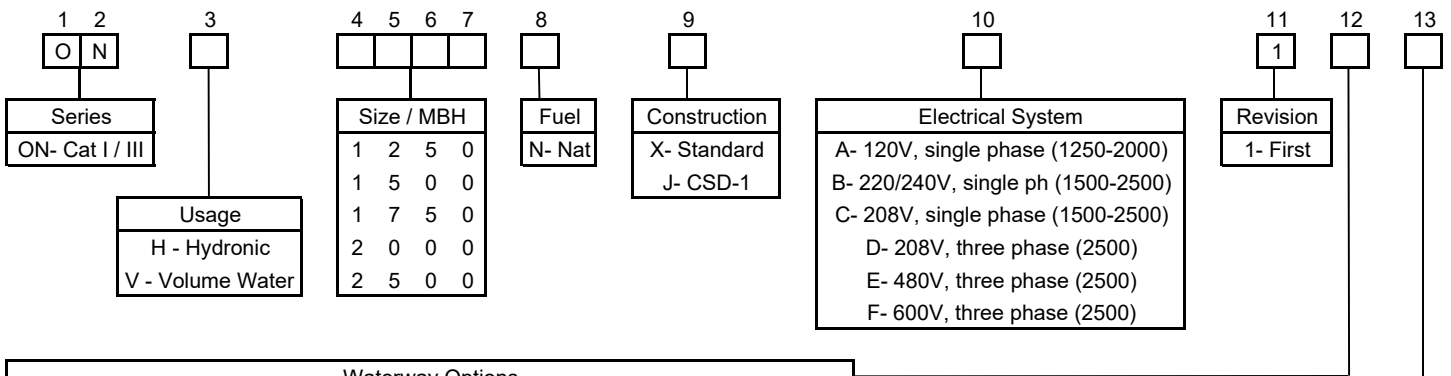
OmniTherm - Cat I / III Vent Pricing - Effective July 18, 2022

Commercial Boiler / Water Heater Models ONH & ONV - For Vent Category I / III

Standard Features

- ASME "H" stamp (ONH)
- ASME "HLW" stamp (ONV)
- 160 psi maximum working pressure
- Certified for Category I & III vent
- Indoor/outdoor
- Low NOx system exceeds the most stringent NOx regulations
- Sophisticated gas/air valve allows for constant control of combustion
- Sealed combustion chamber
- Stainless steel heat exchanger with welded construction
- Pre-mix stainless steel burner
- Electronic PID modulating control with large touchscreen and color display
- Multiple, independent heat demands
- VARI-PRIME boiler pump control with fixed delta T control for variable flow through boiler (ONH)
- Control cascades with up to eight OmniTherm ONH / ONV units
- Accepts 4-20ma or 0-10VDC external modulation or external set point control
- Modbus RTU & BACnet MSTP on board
- Multiple pump control, each with delay
- Indirect DHW priority (ONH)
- Domestic water sensor
- Outdoor reset with sensor (ONH)
- Vent temperature cutoff
- Cat III horizontal or vertical direct vent
- Cat III vent & air pipe lengths of up to 100 equivalent feet (each)
- Normally open alarm contact
- Air filter
- Water flow switch
- Temperature & pressure gauge
- Low water cutoff
- 75 psi (517kPa) ASME rated pressure relief valve (ONH)
- 125 psi (861kPa) ASME rated pressure relief valve (ONV)
- Groove lock fittings (optional flange adapter)
- Burner site glass
- 10-yr limited warranty

Model Nomenclature



Waterway Options	
X- std ONH, 75psi PRV, H-Stamp	N- ONV w/ H-Stamp, 30psi PRV
W- std ONV, 125psi PRV, HLW-Stamp	P- ONV w/ H-Stamp, 50psi PRV
A- 30psi PRV	R- ONV w/ H-Stamp, 60psi PRV
B- 50psi PRV	S- ONV w/ H-Stamp, 75psi PRV
C- 60psi PRV	T- ONV w/ H-Stamp, 125psi PRV
D- ONV 75psi PRV	U- ONV w/ H-Stamp, 150psi PRV
E- ONH 125psi PRV	2- Flange kit, ONV w/ H-Stamp, 30psi PRV
F- 150psi PRV	3- Flange kit, ONV w/ H-Stamp, 50psi PRV
G- Flange kit & 30psi PRV	4- Flange kit, ONV w/ H-Stamp, 60psi PRV
H- Flange kit & 50psi PRV	5- Flange kit, ONV w/ H-Stamp, 75psi PRV
J- Flange kit & 60psi PRV	6- Flange kit, ONV w/ H-Stamp, 125psi PRV
K- Flange kit & 75psi PRV	7- Flange kit, ONV w/ H-Stamp, 150psi PRV
L- Flange kit & 125psi PRV	
M- Flange kit & 150psi PRV	

Additional Options	
X- None	H- Gateway LONworks & alarm bell
A- Gateway, BACnet IP	J- Gateway LONworks & high limits
B- Gateway, LONworks	K- Gateway LONworks & alarm bell & high limits
C- Alarm bell	L- Alarm & high limits
D- Auto & manual high limits	
E- Gateway BACnet IP & alarm bell	
F- Gateway BACnet IP & high limits	
G- Gateway BACnet IP & alarm bell & high limits	

OmniTherm - Cat I / III Vent Pricing - Effective July 18, 2022
Commercial Boiler / Water Heater ONH & ONV - For Vent Category I / III

List Pricing

Boiler, Standard

Model	List Price
ONH 1250 N X A 1 X X	\$34,845
ONH 1500 N X (A, B, C) 1 X X	\$42,570
ONH 1750 N X (A, B, C) 1 X X	\$44,691
ONH 2000 N X (A, B, C) 1 X X	\$48,060
ONH 2500 N X (B, C, D, E, F) 1 X X	\$52,011

Boiler, CSD-1

Model	List Price
ONH 1250 N J A 1 X X	\$35,330
ONH 1500 N J (A, B, C) 1 X X	\$43,055
ONH 1750 N J (A, B, C) 1 X X	\$45,176
ONH 2000 N J (A, B, C) 1 X X	\$48,545
ONH 2500 N J (B, C, D, E, F) 1 X X	\$52,496

Water Heater, Standard

Model	List Price
ONV 1250 N X A 1 W X	\$34,845
ONV 1500 N X (A, B, C) 1 W X	\$42,570
ONV 1750 N X (A, B, C) 1 W X	\$44,691
ONV 2000 N X (A, B, C) 1 W X	\$48,060
ONV 2500 N X (B, C, D, E, F) 1 W X	\$52,011

Water Heater, CSD-1

Model	List Price
ONV 1250 N J A 1 W X	\$35,330
ONV 1500 N J (A, B, C) 1 W X	\$43,055
ONV 1750 N J (A, B, C) 1 W X	\$45,176
ONV 2000 N J (A, B, C) 1 W X	\$48,545
ONV 2500 N J (B, C, D, E, F) 1 W X	\$52,496

List Pricing - Optional Configurations

Waterway Options - 12th character code

Add amount shown to list price

	1250	1500	1750	2000	2500
X - std ONH	n/c	n/c	n/c	n/c	n/c
W - std ONV	n/c	n/c	n/c	n/c	n/c
A, B, C, D, E, F - Alternate PRV's	n/c	n/c	n/c	n/c	n/c
G, H, J, K, L, M - Flange kits	\$697	\$697	\$697	\$697	\$697
N, P, R, S, T, U - ONV H-Stamp	n/c	n/c	n/c	n/c	n/c
2, 3, 4, 5, 6, 7 - Flange kits, ONV H-Stamp	\$697	\$697	\$697	\$697	\$697

Additional Options - 13th character code

Add amount shown to list price

	1250	1500	1750	2000	2500
X- None	n/c	n/c	n/c	n/c	n/c
A- Gateway, BACnet IP & Modbus TCP/IP	\$3,101	\$3,101	\$3,101	\$3,101	\$3,101
B- Gateway, LonWorks	\$3,101	\$3,101	\$3,101	\$3,101	\$3,101
C- Alarm bell	\$569	\$569	\$569	\$569	\$569
D- Additional auto & manual reset hi limits	\$841	\$841	\$841	\$841	\$841
E- Gateway BACnet & alarm bell	\$3,670	\$3,670	\$3,670	\$3,670	\$3,670
F- Gateway BACnet & hi limits	\$3,942	\$3,942	\$3,942	\$3,942	\$3,942
G- Gateway BACnet & alarm & hi limits	\$4,511	\$4,511	\$4,511	\$4,511	\$4,511
H- Gateway LonWorks & alarm bell	\$3,670	\$3,670	\$3,670	\$3,670	\$3,670
J- Gateway LonWorks & hi limits	\$3,942	\$3,942	\$3,942	\$3,942	\$3,942
K- Gateway LonWorks & alarm & hi limits	\$4,511	\$4,511	\$4,511	\$4,511	\$4,511
L- Alarm & hi limits	\$1,410	\$1,410	\$1,410	\$1,410	\$1,410

OmniTherm - Cat I / III Vent Pricing - Effective July 18, 2022
Commercial Boiler / Water Heater ONH & ONV - For Vent Category I / III

Accessories for Field Mounting

		1250	1500	1750	2000	2500
Gateway for BACnet IP and Modbus TCP/IP	Kit #	<u>CA010312</u>	<u>CA010312</u>	<u>CA010312</u>	<u>CA010312</u>	<u>CA010312</u>
	Price	\$3,166	\$3,166	\$3,166	\$3,166	\$3,166
Gateway for LonWorks	Kit #	<u>CA010313</u>	<u>CA010313</u>	<u>CA010313</u>	<u>CA010313</u>	<u>CA010313</u>
	Price	\$3,166	\$3,166	\$3,166	\$3,166	\$3,166
Condensate neutralizer	Kit #	<u>A2123603</u>	<u>A2123603</u>	<u>A2123603</u>	<u>A2123603</u>	<u>A2123603</u>
	Price	\$697	\$697	\$697	\$697	\$697
Condensate neutralizer/pump	Kit #	<u>A2123610</u>	<u>A2123610</u>	<u>A2123610</u>	<u>A2123610</u>	<u>A2123610</u>
	Price	\$2,381	\$2,381	\$2,381	\$2,381	\$2,381

Vent / Air Accessories for OmniTherms Placed Indoors

		1250	1500	1750	2000	2500
Horizontal Vent Terminal	Kit #	<u>D2012004</u>	<u>D2012004</u>	<u>D2012001</u>	<u>D2012001</u>	<u>D2012001</u>
	Price	\$583	\$583	\$693	\$693	\$693
Screen for Air Terminal	Kit #	<u>CA011904</u>	<u>CA011904</u>	<u>CA011901</u>	<u>CA011901</u>	<u>CA011901</u>
	Price	\$97	\$97	\$106	\$106	\$106
Decreaser for category III vent	Kit #	<u>D2022100</u>	<u>D2022100</u>	<u>D2022200</u>	<u>D2022200</u>	<u>D2022300</u>
	Price	\$228	\$228	\$407	\$407	\$419

Vent / Air Accessories for OmniTherms Placed Outdoors

		1250	1500	1750	2000	2500
Vent terminal, outdoor	Kit #	<u>CA016701</u>	<u>CA016701</u>	<u>CA016801</u>	<u>CA017601</u>	<u>CA017701</u>
	Price	\$1,557	\$1,557	\$2,049	\$2,226	\$2,226
Screen kit for air, outdoor	Kit #	<u>CA016900</u>	<u>CA016900</u>	<u>CA017000</u>	<u>CA017000</u>	<u>CA017000</u>
	Price	\$82	\$82	\$86	\$86	\$86

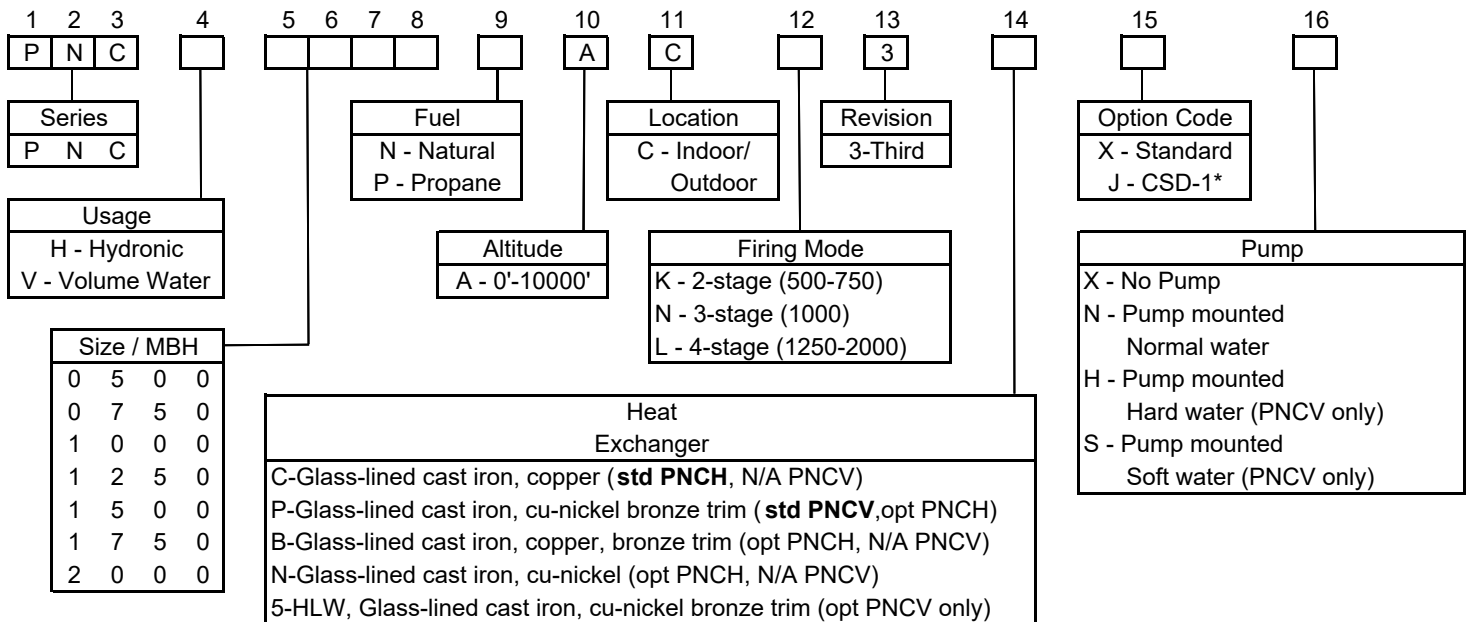
Pennant Pricing - Effective July 18, 2022

Hydronic Boilers and Volume Water Heaters

Standard Features

- ASME 160 psi working pressure heat exchanger
- ASME "H" stamp (HLW opt. PNCV)
- Indoor / outdoor
- Electronic staging & ignition control with LCD touchscreen
- Cascades up to 8 units with redundancy options
- Multiple pump control system
- Adjustable pump time delays
- BACnet MSTP & Modbus with opt. BACnet IP, Metasys, LonWorks
- Accepts External 0-10VDC or 4-20mA for remote control of temp or stages
- Displays clear text messages
- Diagnostics for analog/digital inputs
- Password protected parameters
- Quick start configuration
- Hot surface ignition
- 24V control system
- On/Off toggle switch
- 115/24VAC transformer
- DHW sensor
- Boiler, system & outdoor temp sensor (PNCH)
- Manual reset high limit
- Auto reset high limit
- Dry run and alarm contacts
- Anti-frost mode
- Anti-short-cycle mode
- Pump, mounted & wired (when ordered as pump-mounted unit)
- Flanged water connections
- Bronze trim std on PNCV
- Glass-lined cast iron headers
- External header gaskets
- Air pressure switch
- 75 psi (517kPa) ASME rated pressure relief valve (PNCH)
- 125 psi (861kPa) ASME rated pressure relief valve (PNCV)
- Water flow switch
- Temperature and pressure gauge
- Multiple operating gas valve/pressure regulators
- Manual "A" gas valve
- Multiple, removable burner trays
- Stainless steel burners
- Built-in draft fan(s) for Category I or III venting
- Intake air filter
- Burner site glass

Model Nomenclature



***Option J: for CSD-1, GAP, FM, IL (low water cutoff not included)**

Adds high and low gas pressure switches, leak test valves, and changes standard ignition control to single trial.

Additional Information

	500	750	1000	1250	1500	1750	2000
Input, BTU/hr	500,000	750,000	999,000	1,250,000	1,500,000	1,750,000	1,999,000
Shipping Weight, lbs	640	735	830	925	1020	1115	1210
w/ Pump Mounted, lbs	715	810	955	1050	1185	1280	1410

Pennant Pricing - Effective July 18, 2022

Hydronic Boilers and Volume Water Heaters

Pricing - Standard Unit (no pump or other options)

	500	750	1000	1250	1500	1750	2000
Hydronic Boiler	<u>PNCH0500</u>	<u>PNCH0750</u>	<u>PNCH1000</u>	<u>PNCH1250</u>	<u>PNCH1500</u>	<u>PNCH1750</u>	<u>PNCH2000</u>
4th character - H	\$16,912	\$18,535	\$23,609	\$26,630	\$30,287	\$33,861	\$36,924
Volume Water Heater	<u>PNCV0500</u>	<u>PNCV0750</u>	<u>PNCV1000</u>	<u>PNCV1250</u>	<u>PNCV1500</u>	<u>PNCV1750</u>	<u>PNCV2000</u>
4th character - V	\$17,729	\$19,352	\$25,024	\$27,447	\$31,102	\$34,677	\$37,735

List Pricing - Optional Configurations

	500	750	1000	1250	1500	1750	2000
Fuel Options - 9th character code							
Natural - N	n/c	n/c	n/c	n/c	n/c	n/c	n/c
Propane - P	n/c	n/c	n/c	n/c	n/c	n/c	n/c
Heat Exchanger Options - 14th character code							
	<i>Add amount shown to list price</i>						
C - Copper - std PNCH (n/a PNCV)	n/c	n/c	n/c	n/c	n/c	n/c	n/c
Cu-Nickel, Bronze trim - std PNCV							
P - PNCV - std - n/c	n/c	n/c	n/c	n/c	n/c	n/c	n/c
PNCH - add	\$1,812	\$2,508	\$3,004	\$3,761	\$3,951	\$4,764	\$4,858
Copper, Bronze trim							
B - PNCH - add (n/a PNCV)	\$771	\$771	\$771	\$771	\$771	\$771	\$771
Cu-Nickel							
N - PNCH - add (n/a PNCV)	\$1,041	\$1,738	\$2,233	\$2,991	\$3,182	\$3,993	\$4,087
5 - HLW Cu-Ni, Bronze trim (opt. PNCV, n/a PNCH)	n/c	n/c	n/c	n/c	n/c	n/c	n/c
Control / Gas Train Options - 15th character code							
	<i>Add amount shown to list price</i>						
X - Standard (no LWCO)	n/c	n/c	n/c	n/c	n/c	n/c	n/c
J - CSD-1, FM, GAP, IL (no LWCO)	\$772	\$893	\$1,045	\$1,576	\$1,576	\$1,576	\$1,668
Pump Options - 16th character code							
	<i>Add amount shown to list price</i>						
X - No Pump	n/c	n/c	n/c	n/c	n/c	n/c	n/c
N - Normal Water Pump Taco Mounted and Wired	\$1,576	\$1,576	\$1,643	\$1,643	\$1,886	\$1,886	\$2,353
Hard Water Pump Taco							
H - Mounted and Wired (PNCV only)	\$1,886	\$1,886	\$1,886	\$1,886	\$1,886	\$1,886	\$2,353
Soft Water Pump Taco							
S - Mounted and Wired (PNCV only)	\$1,576	\$1,576	\$1,576	\$1,576	\$1,576	\$1,886	\$2,353

Pennant Racks

Part Number	Width	Used on Non-Pump Size(s)	Used on Pump-Mounted Size(s)	Weight lbs	List Price
CA000700	42"	500	---	183	\$2,225
CA000800	54"	750	500	195	\$2,273
CA000900	66"	1000	750	241	\$2,359
CA001000	84"	1250	1000	230	\$2,464
CA001100	98"	1500, 1750	1250	265	\$2,791
CA001200	108"	2000	1500, 1750	275	\$3,025
CA001300	126"	---	2000	289	\$3,443

Pennant Pricing - Effective July 18, 2022

Hydronic Boilers and Volume Water Heaters

Installed Options

Order kit number as separate line item

		500	750	1000	1250	1500	1750	2000
Low water cutoff for non-reversed heat exchanger	Kit #	<u>KM000202</u>	<u>KM000202</u>	<u>KM000202</u>	<u>KM000202</u>	<u>KM000202</u>	<u>KM000202</u>	<u>KM000202</u>
	Price	\$859	\$859	\$859	\$859	\$859	\$859	\$859
Low water cutoff for reversed heat exchanger	Kit #	<u>KM000202</u>	<u>KM000202</u>	<u>KM000202</u>	<u>KM000202</u>	<u>KM000202</u>	<u>KM000202</u>	<u>KM000202</u>
	Price	\$859	\$859	\$859	\$859	\$859	\$859	\$859
Reversed heat exchanger for unit with no pump	Kit #	<u>KM007001</u>	<u>KM007001</u>	<u>KM007001</u>	<u>KM007001</u>	<u>KM007001</u>	<u>KM007001</u>	<u>KM007001</u>
	Price	\$339	\$339	\$339	\$339	\$339	\$339	\$339
Reversed heat exchanger for unit with pump	Kit #	<u>KM007002</u>	<u>KM007002</u>	<u>KM007002</u>	<u>KM007002</u>	<u>KM007002</u>	<u>KM007002</u>	<u>KM007002</u>
	Price	\$339	\$339	\$339	\$339	\$339	\$339	\$339
Alternate display orientation for top unit in stacked system	Kit #	<u>KM007501</u>	<u>KM007501</u>	<u>KM007501</u>	<u>KM007501</u>	<u>KM007501</u>	<u>KM007501</u>	<u>KM007501</u>
	Price	n/c	n/c	n/c	n/c	n/c	n/c	n/c
Add'l 240°F manual reset hi limit for non-reversed HX PNCH	Kit #	<u>KM007201</u>	<u>KM007201</u>	<u>KM007201</u>	<u>KM007201</u>	<u>KM007201</u>	<u>KM007201</u>	<u>KM007201</u>
	Price	\$497	\$497	\$497	\$497	\$497	\$497	\$497
Add'l 240°F manual reset hi limit for reversed HX PNCH	Kit #	<u>KM007201</u>	<u>KM007201</u>	<u>KM007201</u>	<u>KM007202</u>	<u>KM007202</u>	<u>KM007202</u>	<u>KM007202</u>
	Price	\$497	\$497	\$497	\$497	\$497	\$497	\$497
Add'l 200°F manual reset hi limit for non-reversed HX PNCH or V	Kit #	<u>KM007101</u>	<u>KM007101</u>	<u>KM007101</u>	<u>KM007101</u>	<u>KM007101</u>	<u>KM007101</u>	<u>KM007101</u>
	Price	\$497	\$497	\$497	\$497	\$497	\$497	\$497
Add'l 200°F manual reset hi limit for reversed HX PNCH or V	Kit #	<u>KM007101</u>	<u>KM007101</u>	<u>KM007101</u>	<u>KM007102</u>	<u>KM007102</u>	<u>KM007102</u>	<u>KM007102</u>
	Price	\$497	\$497	\$497	\$497	\$497	\$497	\$497
Add'l 240°F auto reset hi limit for non-reversed HX PNCH	Kit #	<u>KM007701</u>	<u>KM007701</u>	<u>KM007701</u>	<u>KM007701</u>	<u>KM007701</u>	<u>KM007701</u>	<u>KM007701</u>
	Price	\$497	\$497	\$497	\$497	\$497	\$497	\$497
Add'l 240°F auto reset hi limit for reversed HX PNCH	Kit #	<u>KM007701</u>	<u>KM007701</u>	<u>KM007701</u>	<u>KM007702</u>	<u>KM007702</u>	<u>KM007702</u>	<u>KM007702</u>
	Price	\$497	\$497	\$497	\$497	\$497	\$497	\$497
Add'l 200°F auto reset hi limit for non-reversed HX PNCH or V	Kit #	<u>KM007601</u>	<u>KM007601</u>	<u>KM007601</u>	<u>KM007601</u>	<u>KM007601</u>	<u>KM007601</u>	<u>KM007601</u>
	Price	\$497	\$497	\$497	\$497	\$497	\$497	\$497
Add'l 200°F auto reset hi limit for reversed HX PNCH or V	Kit #	<u>KM007601</u>	<u>KM007601</u>	<u>KM007601</u>	<u>KM007602</u>	<u>KM007602</u>	<u>KM007602</u>	<u>KM007602</u>
	Price	\$497	\$497	\$497	\$497	\$497	\$497	\$497
Add'l 240°F auto & man hi limit for non-reversed HX PNCH	Kit #	<u>KM007901</u>	<u>KM007901</u>	<u>KM007901</u>	<u>KM007901</u>	<u>KM007901</u>	<u>KM007901</u>	<u>KM007901</u>
	Price	\$992	\$992	\$992	\$992	\$992	\$992	\$992
Add'l 240°F auto & man hi limit for reversed HX PNCH	Kit #	<u>KM007901</u>	<u>KM007901</u>	<u>KM007901</u>	<u>KM007902</u>	<u>KM007902</u>	<u>KM007902</u>	<u>KM007902</u>
	Price	\$992	\$992	\$992	\$992	\$992	\$992	\$992
Add'l 200°F auto & man hi limit for non-reversed HX PNCH or V	Kit #	<u>KM007801</u>	<u>KM007801</u>	<u>KM007801</u>	<u>KM007801</u>	<u>KM007801</u>	<u>KM007801</u>	<u>KM007801</u>
	Price	\$992	\$992	\$992	\$992	\$992	\$992	\$992
Add'l 200°F auto & man hi limit for reversed HX PNCH or V	Kit #	<u>KM007801</u>	<u>KM007801</u>	<u>KM007801</u>	<u>KM007802</u>	<u>KM007802</u>	<u>KM007802</u>	<u>KM007802</u>
	Price	\$992	\$992	\$992	\$992	\$992	\$992	\$992

Accessories for Field Mounting

Indoor Venting Accessories		<i>Order kit number as separate line item</i>						
Side-wall vent terminal (req'd for side-wall venting)	Kit #	<u>CA001401</u>	<u>CA001402</u>	<u>CA001402</u>	<u>CA001405</u>	<u>CA001405</u>	<u>CA001404</u>	<u>CA001404</u>
	Price	\$827	\$1,020	\$1,020	\$1,061	\$1,061	\$1,317	\$1,317
Side-wall comb. air terminal (req'd for side-wall ducted air)	Kit #	<u>CA20260701</u>	<u>CA20260703</u>	<u>CA20260703</u>	<u>CA20260706</u>	<u>CA20260706</u>	<u>CA20260706</u>	<u>CA20260706</u>
	Price	\$284	\$284	\$284	\$302	\$302	\$302	\$302
Outdoor Venting Accessories		<i>Order kit number as separate line item</i>						
Outdoor vent terminal	Kit #	<u>20254703</u>	<u>20254705</u>	<u>20254705</u>	<u>D2007700</u>	<u>D2007700</u>	<u>D2007800</u>	<u>D2007800</u>
	Price	\$1,340	\$1,822	\$1,822	\$2,010	\$2,010	\$2,010	\$2,010
Outdoor combustion air terminal*	Kit #	<u>D2007900</u>	<u>D2008000</u>	<u>D2008000</u>	<u>D2008200</u>	<u>D2008200</u>	<u>D2008200</u>	<u>D2008200</u>
	Price	\$229	\$405	\$405	\$507	\$507	\$507	\$507

*Alternate terminals may be used. Consult factory

Pennant Pricing - Effective July 18, 2022

Hydronic Boilers and Volume Water Heaters

Accessories for Field Mounting, Cont.

Conversion Kits		<i>Order kit number as separate line item</i>						
Propane to Natural Gas	Kit #	<u>CA007701</u>	<u>CA007702</u>	<u>CA007703</u>	<u>CA007704</u>	<u>CA007705</u>	<u>CA007706</u>	<u>CA007707</u>
	Price	\$90	\$126	\$163	\$201	\$237	\$274	\$310
Natural Gas to Propane	Kit #	<u>CA007708</u>	<u>CA007709</u>	<u>CA007710</u>	<u>CA007711</u>	<u>CA007712</u>	<u>CA007713</u>	<u>CA007714</u>
	Price	\$90	\$126	\$163	\$201	\$237	\$274	\$310
Controls		<i>Order kit number as separate line item</i>						
Gateway for BACnet IP and Modbus TCP/IP	Kit #	<u>CA015900</u>	<u>CA015900</u>	<u>CA015900</u>	<u>CA015900</u>	<u>CA015900</u>	<u>CA015900</u>	<u>CA015900</u>
	Price	\$3,166	\$3,166	\$3,166	\$3,166	\$3,166	\$3,166	\$3,166
Gateway for LonWorks	Kit #	<u>CA015901</u>	<u>CA015901</u>	<u>CA015901</u>	<u>CA015901</u>	<u>CA015901</u>	<u>CA015901</u>	<u>CA015901</u>
	Price	\$3,166	\$3,166	\$3,166	\$3,166	\$3,166	\$3,166	\$3,166
Add'l 240°F manual reset hi limit for non-reversed HX PNCH	Kit #	<u>CA014901</u>	<u>CA014901</u>	<u>CA014901</u>	<u>CA014901</u>	<u>CA014901</u>	<u>CA014901</u>	<u>CA014901</u>
	Price	\$497	\$497	\$497	\$497	\$497	\$497	\$497
Add'l 240°F manual reset hi limit for reversed HX PNCH	Kit #	<u>CA014901</u>	<u>CA014901</u>	<u>CA014901</u>	<u>CA014902</u>	<u>CA014902</u>	<u>CA014902</u>	<u>CA014902</u>
	Price	\$497	\$497	\$497	\$497	\$497	\$497	\$497
Add'l 200°F manual reset hi limit for non-reversed HX PNCH or V	Kit #	<u>CA014801</u>	<u>CA014801</u>	<u>CA014801</u>	<u>CA014801</u>	<u>CA014801</u>	<u>CA014801</u>	<u>CA014801</u>
	Price	\$497	\$497	\$497	\$497	\$497	\$497	\$497
Add'l 200°F manual reset hi limit for reversed HX PNCH or V	Kit #	<u>CA014801</u>	<u>CA014801</u>	<u>CA014801</u>	<u>CA014802</u>	<u>CA014802</u>	<u>CA014802</u>	<u>CA014802</u>
	Price	\$497	\$497	\$497	\$497	\$497	\$497	\$497
Add'l 240°F auto reset hi limit for non-reversed HX PNCH	Kit #	<u>CA015101</u>	<u>CA015101</u>	<u>CA015101</u>	<u>CA015101</u>	<u>CA015101</u>	<u>CA015101</u>	<u>CA015101</u>
	Price	\$497	\$497	\$497	\$497	\$497	\$497	\$497
Add'l 240°F auto reset hi limit for reversed HX PNCH	Kit #	<u>CA015101</u>	<u>CA015101</u>	<u>CA015101</u>	<u>CA015102</u>	<u>CA015102</u>	<u>CA015102</u>	<u>CA015102</u>
	Price	\$497	\$497	\$497	\$497	\$497	\$497	\$497
Add'l 200°F auto reset hi limit for non-reversed HX PNCH or V	Kit #	<u>CA015001</u>	<u>CA015001</u>	<u>CA015001</u>	<u>CA015001</u>	<u>CA015001</u>	<u>CA015001</u>	<u>CA015001</u>
	Price	\$497	\$497	\$497	\$497	\$497	\$497	\$497
Add'l 200°F auto reset hi limit for reversed HX PNCH or V	Kit #	<u>CA015001</u>	<u>CA015001</u>	<u>CA015001</u>	<u>CA015002</u>	<u>CA015002</u>	<u>CA015002</u>	<u>CA015002</u>
	Price	\$497	\$497	\$497	\$497	\$497	\$497	\$497
Add'l 240°F auto & man hi limit for non-reversed HX PNCH	Kit #	<u>CA015401</u>	<u>CA015401</u>	<u>CA015401</u>	<u>CA015401</u>	<u>CA015401</u>	<u>CA015401</u>	<u>CA015401</u>
	Price	\$992	\$992	\$992	\$992	\$992	\$992	\$992
Add'l 240°F auto & man hi limit for reversed HX PNCH	Kit #	<u>CA015401</u>	<u>CA015401</u>	<u>CA015401</u>	<u>CA015402</u>	<u>CA015402</u>	<u>CA015402</u>	<u>CA015402</u>
	Price	\$992	\$992	\$992	\$992	\$992	\$992	\$992
Add'l 200°F auto & man hi limit for non-reversed HX PNCH or V	Kit #	<u>CA015301</u>	<u>CA015301</u>	<u>CA015301</u>	<u>CA015301</u>	<u>CA015301</u>	<u>CA015301</u>	<u>CA015301</u>
	Price	\$992	\$992	\$992	\$992	\$992	\$992	\$992
Add'l 200°F auto & man hi limit for reversed HX PNCH or V	Kit #	<u>CA015301</u>	<u>CA015301</u>	<u>CA015301</u>	<u>CA015302</u>	<u>CA015302</u>	<u>CA015302</u>	<u>CA015302</u>
	Price	\$992	\$992	\$992	\$992	\$992	\$992	\$992
Reversed Heat Exchangers		<i>Order kit number as separate line item</i>						
Reversed heat exchanger for unit with no pump	Kit #	<u>CA015201</u>	<u>CA015201</u>	<u>CA015201</u>	<u>CA015201</u>	<u>CA015201</u>	<u>CA015201</u>	<u>CA015201</u>
	Price	\$339	\$339	\$339	\$339	\$339	\$339	\$339
Reversed heat exchanger for unit with pump	Kit #	<u>CA015202</u>	<u>CA015202</u>	<u>CA015202</u>	<u>CA015202</u>	<u>CA015202</u>	<u>CA015202</u>	<u>CA015202</u>
	Price	\$339	\$339	\$339	\$339	\$339	\$339	\$339

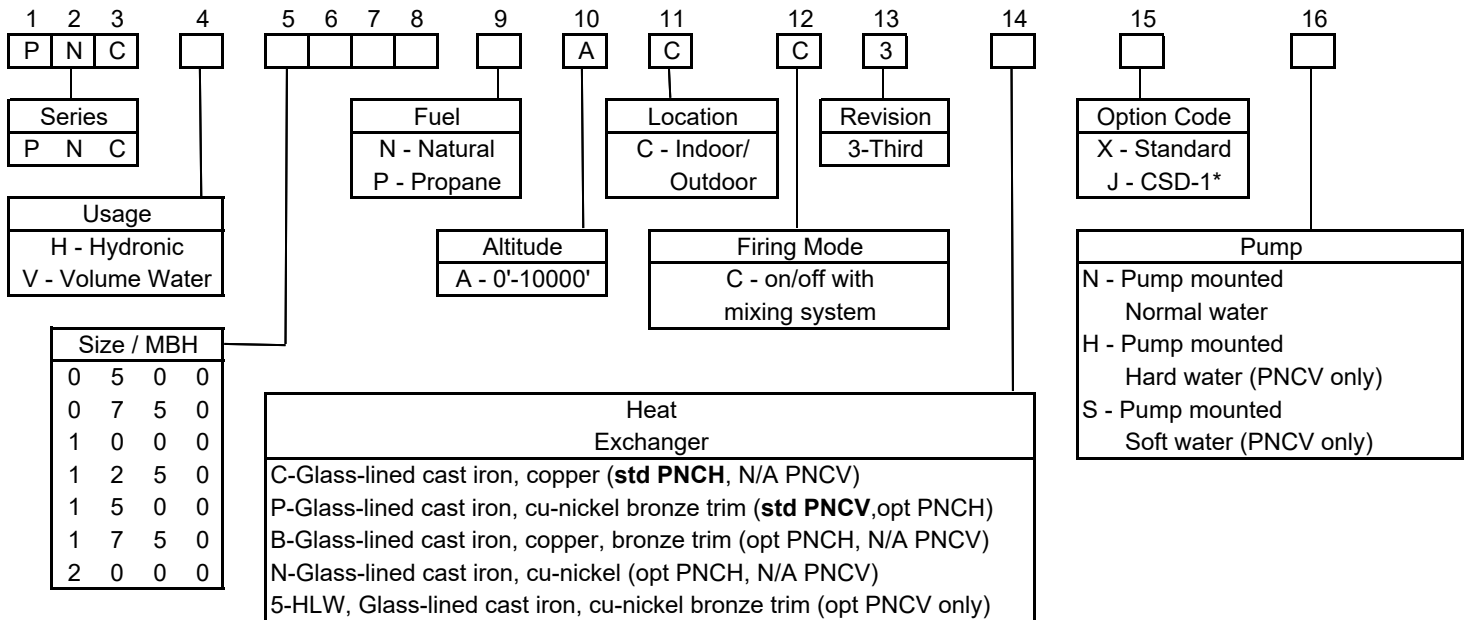
Low-Temp Pennant Pricing - Effective July 18, 2022

Hydronic Boilers and Volume Water Heaters With Anti-Condense Mixing System

Standard Features

- ASME 160 psi working pressure heat exchanger
- ASME "H" stamp (HLW opt on PNCV)
- Indoor / outdoor
- Anti-condense mixing system
- Electronic staging & ignition control with LCD touchscreen
- Cascades up to 8 units with redundancy options
- Multiple pump control system
- Adjustable pump time delays
- BACnet MSTP & Modbus with opt. BACnet IP, Metasys, LonWorks
- Accepts External 0-10VDC or 4-20mA for remote control of temp or stages
- Displays clear text messages
- Diagnostics for analog/digital inputs
- Password protected parameters
- Quick start configuration
- Hot surface ignition
- 24V control system
- On/Off toggle switch
- 115/24VAC transformer
- DHW sensor
- Boiler, system & outdoor temp sensor (PNCH)
- Manual reset high limit
- Auto reset high limit
- Dry run and alarm contacts
- Anti-frost mode
- Anti-short-cycle mode
- Pump, mounted & wired
- Flanged water connections
- Bronze trim std on PNCV
- Glass-lined cast iron headers
- External header gaskets
- Air pressure switch
- 75 psi (517kPa) ASME rated pressure relief valve (PNCH)
- 125 psi (861kPa) ASME rated pressure relief valve (PNCV)
- Water flow switch
- Temperature and pressure gauge
- Multiple operating gas valve/pressure regulators
- Manual "A" gas valve
- Multiple, removable burner trays
- Stainless steel burners
- Built-in draft fan(s) for Category I or III venting
- Intake air filter
- Burner site glass

Model Nomenclature



***Option J: for CSD-1, GAP, FM, IL (low water cutoff NOT included)**

Adds high and low gas pressure switches, leak test valves, and changes standard ignition control to single trial.

Additional Information

	500	750	1000	1250	1500	1750	2000
Input, BTU/hr	500,000	750,000	999,000	1,250,000	1,500,000	1,750,000	1,999,000
Shipping Weight, lbs	775	870	1035	1130	1285	1380	1510

Low-Temp Pennant Pricing - Effective July 18, 2022

Hydronic Boilers and Volume Water Heaters With Anti-Condense Mixing System

List Pricing - Standard Unit (no pump or other options)

	500	750	1000	1250	1500	1750	2000
Hydronic Boiler	<u>PNCH0500</u>	<u>PNCH0750</u>	<u>PNCH1000</u>	<u>PNCH1250</u>	<u>PNCH1500</u>	<u>PNCH1750</u>	<u>PNCH2000</u>
4th character - H	\$19,954	\$21,644	\$26,787	\$29,756	\$33,598	\$37,141	\$40,286
Volume Water Heater	<u>PNCV0500</u>	<u>PNCV0750</u>	<u>PNCV1000</u>	<u>PNCV1250</u>	<u>PNCV1500</u>	<u>PNCV1750</u>	<u>PNCV2000</u>
4th character - V	\$20,769	\$22,397	\$27,551	\$30,573	\$34,380	\$37,958	\$41,013

List Pricing - Optional Configurations

	500	750	1000	1250	1500	1750	2000
Fuel Options - 9th character code							
Natural - N	n/c	n/c	n/c	n/c	n/c	n/c	n/c
Propane - P	n/c	n/c	n/c	n/c	n/c	n/c	n/c
Heat Exchanger Options - 14th character code							
	<i>Add amount shown to list price</i>						
C - Copper - std PNCH (n/a PNCV)	n/c	n/c	n/c	n/c	n/c	n/c	n/c
Cu-Nickel, Bronze trim - std PNCV							
P - PNCV - std - n/c	n/c	n/c	n/c	n/c	n/c	n/c	n/c
PNCH - add	\$1,812	\$2,508	\$3,004	\$3,761	\$3,951	\$4,764	\$4,858
Copper, Bronze trim							
B - PNCH - add (n/a PNCV)	\$771	\$771	\$771	\$771	\$771	\$771	\$771
Cu-Nickel							
N - PNCH - add (n/a PNCV)	\$1,041	\$1,738	\$2,233	\$2,991	\$3,182	\$3,993	\$4,087
5 - HLW Cu-Ni, Bronze trim (opt. PNCV, n/a PNCH)	n/c	n/c	n/c	n/c	n/c	n/c	n/c
Control / Gas Train Options - 15th character code							
	<i>Add amount shown to list price</i>						
X - Standard (no LWCO)	n/c	n/c	n/c	n/c	n/c	n/c	n/c
J - CSD-1, FM, GAP, IL (no LWCO)	\$772	\$893	\$1,045	\$1,576	\$1,576	\$1,576	\$1,668
Pump Options - 16th character code							
	<i>Add amount shown to list price</i>						
N Normal Water Pump Mounted & Wired	n/c	n/c	n/c	n/c	n/c	n/c	n/c
H Hard Water Pump Mounted & Wired (PNCV)	\$310	\$310	\$243	\$243	n/c	n/c	n/c
S Soft Water Pump Mounted & Wired (PNCV)	n/c	n/c	n/c	n/c	n/c	n/c	n/c

Low-Temp Pennant Pricing - Effective July 18, 2022

Hydronic Boilers and Volume Water Heaters With Anti-Condense Mixing System

Installed Options

Order kit number as separate line item

		500	750	1000	1250	1500	1750	2000
Low water cutoff for non-reversed heat exchanger	Kit #	<u>KM000202</u>	<u>KM000202</u>	<u>KM000202</u>	<u>KM000202</u>	<u>KM000202</u>	<u>KM000202</u>	<u>KM000202</u>
	Price	\$859	\$859	\$859	\$859	\$859	\$859	\$859
Low water cutoff for reversed heat exchanger	Kit #	<u>KM000202</u>	<u>KM000202</u>	<u>KM000201</u>	<u>KM000201</u>	<u>KM000201</u>	<u>KM000201</u>	<u>KM000201</u>
	Price	\$859	\$859	\$859	\$859	\$859	\$859	\$859
Reversed heat exchanger	Kit #	<u>KM007003</u>	<u>KM007003</u>	<u>KM007003</u>	<u>KM007003</u>	<u>KM007003</u>	<u>KM007003</u>	<u>KM007003</u>
	Price	\$339	\$339	\$339	\$339	\$339	\$339	\$339
Alternate display orientation for top unit in stacked system	Kit #	<u>KM007501</u>	<u>KM007501</u>	<u>KM007501</u>	<u>KM007501</u>	<u>KM007501</u>	<u>KM007501</u>	<u>KM007501</u>
	Price	n/c	n/c	n/c	n/c	n/c	n/c	n/c
Add'l 240°F manual reset hi limit for non-reversed HX PNCH	Kit #	<u>KM007201</u>	<u>KM007201</u>	<u>KM007201</u>	<u>KM007201</u>	<u>KM007201</u>	<u>KM007201</u>	<u>KM007201</u>
	Price	\$497	\$497	\$497	\$497	\$497	\$497	\$497
Add'l 240°F manual reset hi limit for reversed HX PNCH	Kit #	<u>KM007201</u>	<u>KM007201</u>	<u>KM007201</u>	<u>KM007202</u>	<u>KM007202</u>	<u>KM007202</u>	<u>KM007202</u>
	Price	\$497	\$497	\$497	\$497	\$497	\$497	\$497
Add'l 200°F manual reset hi limit for non-reversed HX PNCH or V	Kit #	<u>KM007101</u>	<u>KM007101</u>	<u>KM007101</u>	<u>KM007101</u>	<u>KM007101</u>	<u>KM007101</u>	<u>KM007101</u>
	Price	\$497	\$497	\$497	\$497	\$497	\$497	\$497
Add'l 200°F manual reset hi limit for reversed HX PNCH or V	Kit #	<u>KM007101</u>	<u>KM007101</u>	<u>KM007101</u>	<u>KM007102</u>	<u>KM007102</u>	<u>KM007102</u>	<u>KM007102</u>
	Price	\$497	\$497	\$497	\$497	\$497	\$497	\$497
Add'l 240°F auto reset hi limit for non-reversed HX PNCH	Kit #	<u>KM007701</u>	<u>KM007701</u>	<u>KM007701</u>	<u>KM007701</u>	<u>KM007701</u>	<u>KM007701</u>	<u>KM007701</u>
	Price	\$497	\$497	\$497	\$497	\$497	\$497	\$497
Add'l 240°F auto reset hi limit for reversed HX PNCH	Kit #	<u>KM007701</u>	<u>KM007701</u>	<u>KM007701</u>	<u>KM007702</u>	<u>KM007702</u>	<u>KM007702</u>	<u>KM007702</u>
	Price	\$497	\$497	\$497	\$497	\$497	\$497	\$497
Add'l 200°F auto reset hi limit for non-reversed HX PNCH or V	Kit #	<u>KM007601</u>	<u>KM007601</u>	<u>KM007601</u>	<u>KM007601</u>	<u>KM007601</u>	<u>KM007601</u>	<u>KM007601</u>
	Price	\$497	\$497	\$497	\$497	\$497	\$497	\$497
Add'l 200°F auto reset hi limit for reversed HX PNCH or V	Kit #	<u>KM007601</u>	<u>KM007601</u>	<u>KM007601</u>	<u>KM007602</u>	<u>KM007602</u>	<u>KM007602</u>	<u>KM007602</u>
	Price	\$497	\$497	\$497	\$497	\$497	\$497	\$497
Add'l 240°F auto & man hi limit for non-reversed HX PNCH	Kit #	<u>KM007901</u>	<u>KM007901</u>	<u>KM007901</u>	<u>KM007901</u>	<u>KM007901</u>	<u>KM007901</u>	<u>KM007901</u>
	Price	\$992	\$992	\$992	\$992	\$992	\$992	\$992
Add'l 240°F auto & man hi limit for reversed HX PNCH	Kit #	<u>KM007901</u>	<u>KM007901</u>	<u>KM007901</u>	<u>KM007902</u>	<u>KM007902</u>	<u>KM007902</u>	<u>KM007902</u>
	Price	\$992	\$992	\$992	\$992	\$992	\$992	\$992
Add'l 200°F auto & man hi limit for non-reversed HX PNCH or V	Kit #	<u>KM007801</u>	<u>KM007801</u>	<u>KM007801</u>	<u>KM007801</u>	<u>KM007801</u>	<u>KM007801</u>	<u>KM007801</u>
	Price	\$992	\$992	\$992	\$992	\$992	\$992	\$992
Add'l 200°F auto & man hi limit for reversed HX PNCH or V	Kit #	<u>KM007801</u>	<u>KM007801</u>	<u>KM007801</u>	<u>KM007802</u>	<u>KM007802</u>	<u>KM007802</u>	<u>KM007802</u>
	Price	\$992	\$992	\$992	\$992	\$992	\$992	\$992

Accessories for Field Mounting

Indoor Venting Accessories

Order kit number as separate line item

Side-wall vent terminal (req'd for side-wall venting)	Kit #	<u>CA001401</u>	<u>CA001402</u>	<u>CA001402</u>	<u>CA001405</u>	<u>CA001405</u>	<u>CA001404</u>	<u>CA001404</u>
	Price	\$827	\$1,020	\$1,020	\$1,061	\$1,061	\$1,317	\$1,317
Side-wall comb. air terminal (req'd for side-wall ducted air)	Kit #	<u>CA20260701</u>	<u>CA20260703</u>	<u>CA20260703</u>	<u>CA20260706</u>	<u>CA20260706</u>	<u>CA20260706</u>	<u>CA20260706</u>
	Price	\$284	\$284	\$284	\$302	\$302	\$302	\$302

Outdoor Venting Accessories

Order kit number as separate line item

Outdoor vent terminal	Kit #	<u>20254703</u>	<u>20254705</u>	<u>20254705</u>	<u>D2007700</u>	<u>D2007700</u>	<u>D2007800</u>	<u>D2007800</u>
	Price	\$1,340	\$1,822	\$1,822	\$2,010	\$2,010	\$2,010	\$2,010
Outdoor combustion air terminal*	Kit #	<u>D2007900</u>	<u>D2008000</u>	<u>D2008000</u>	<u>D2008200</u>	<u>D2008200</u>	<u>D2008200</u>	<u>D2008200</u>
	Price	\$229	\$405	\$405	\$507	\$507	\$507	\$507

*Alternate terminals may be used. Consult factory

Low-Temp Pennant Pricing - Effective July 18, 2022

Hydronic Boilers and Volume Water Heaters With Anti-Condense Mixing System

Accessories for Field Mounting, Cont.

Conversion Kits		<i>Order kit number as separate line item</i>						
Propane to Natural Gas	Kit #	<u>CA007701</u>	<u>CA007702</u>	<u>CA007703</u>	<u>CA007704</u>	<u>CA007705</u>	<u>CA007706</u>	<u>CA007707</u>
	Price	\$90	\$126	\$163	\$201	\$237	\$274	\$310
Natural Gas to Propane	Kit #	<u>CA007708</u>	<u>CA007709</u>	<u>CA007710</u>	<u>CA007711</u>	<u>CA007712</u>	<u>CA007713</u>	<u>CA007714</u>
	Price	\$90	\$126	\$163	\$201	\$237	\$274	\$310
Controls		<i>Order kit number as separate line item</i>						
Gateway for BACnet IP and Modbus TCP/IP	Kit #	<u>CA015900</u>	<u>CA015900</u>	<u>CA015900</u>	<u>CA015900</u>	<u>CA015900</u>	<u>CA015900</u>	<u>CA015900</u>
	Price	\$3,166	\$3,166	\$3,166	\$3,166	\$3,166	\$3,166	\$3,166
Gateway for LonWorks	Kit #	<u>CA015901</u>	<u>CA015901</u>	<u>CA015901</u>	<u>CA015901</u>	<u>CA015901</u>	<u>CA015901</u>	<u>CA015901</u>
	Price	\$3,166	\$3,166	\$3,166	\$3,166	\$3,166	\$3,166	\$3,166
Add'l 240°F manual reset hi limit for non-reversed HX PNCH	Kit #	<u>CA014901</u>	<u>CA014901</u>	<u>CA014901</u>	<u>CA014901</u>	<u>CA014901</u>	<u>CA014901</u>	<u>CA014901</u>
	Price	\$497	\$497	\$497	\$497	\$497	\$497	\$497
Add'l 240°F manual reset hi limit for reversed HX PNCH	Kit #	<u>CA014901</u>	<u>CA014901</u>	<u>CA014901</u>	<u>CA014902</u>	<u>CA014902</u>	<u>CA014902</u>	<u>CA014902</u>
	Price	\$497	\$497	\$497	\$497	\$497	\$497	\$497
Add'l 200°F manual reset hi limit for non-reversed HX PNCH or V	Kit #	<u>CA014801</u>	<u>CA014801</u>	<u>CA014801</u>	<u>CA014801</u>	<u>CA014801</u>	<u>CA014801</u>	<u>CA014801</u>
	Price	\$497	\$497	\$497	\$497	\$497	\$497	\$497
Add'l 200°F manual reset hi limit for reversed HX PNCH or V	Kit #	<u>CA014801</u>	<u>CA014801</u>	<u>CA014801</u>	<u>CA014802</u>	<u>CA014802</u>	<u>CA014802</u>	<u>CA014802</u>
	Price	\$497	\$497	\$497	\$497	\$497	\$497	\$497
Add'l 240°F auto reset hi limit for non-reversed HX PNCH	Kit #	<u>CA015101</u>	<u>CA015101</u>	<u>CA015101</u>	<u>CA015101</u>	<u>CA015101</u>	<u>CA015101</u>	<u>CA015101</u>
	Price	\$497	\$497	\$497	\$497	\$497	\$497	\$497
Add'l 240°F auto reset hi limit for reversed HX PNCH	Kit #	<u>CA015101</u>	<u>CA015101</u>	<u>CA015101</u>	<u>CA015102</u>	<u>CA015102</u>	<u>CA015102</u>	<u>CA015102</u>
	Price	\$497	\$497	\$497	\$497	\$497	\$497	\$497
Add'l 200°F auto reset hi limit for non-reversed HX PNCH or V	Kit #	<u>CA015001</u>	<u>CA015001</u>	<u>CA015001</u>	<u>CA015001</u>	<u>CA015001</u>	<u>CA015001</u>	<u>CA015001</u>
	Price	\$497	\$497	\$497	\$497	\$497	\$497	\$497
Add'l 200°F auto reset hi limit for reversed HX PNCH or V	Kit #	<u>CA015001</u>	<u>CA015001</u>	<u>CA015001</u>	<u>CA015002</u>	<u>CA015002</u>	<u>CA015002</u>	<u>CA015002</u>
	Price	\$497	\$497	\$497	\$497	\$497	\$497	\$497
Add'l 240°F auto & man hi limit for non-reversed HX PNCH	Kit #	<u>CA015401</u>	<u>CA015401</u>	<u>CA015401</u>	<u>CA015401</u>	<u>CA015401</u>	<u>CA015401</u>	<u>CA015401</u>
	Price	\$992	\$992	\$992	\$992	\$992	\$992	\$992
Add'l 240°F auto & man hi limit for reversed HX PNCH	Kit #	<u>CA015401</u>	<u>CA015401</u>	<u>CA015401</u>	<u>CA015402</u>	<u>CA015402</u>	<u>CA015402</u>	<u>CA015402</u>
	Price	\$992	\$992	\$992	\$992	\$992	\$992	\$992
Add'l 200°F auto & man hi limit for non-reversed HX PNCH or V	Kit #	<u>CA015301</u>	<u>CA015301</u>	<u>CA015301</u>	<u>CA015301</u>	<u>CA015301</u>	<u>CA015301</u>	<u>CA015301</u>
	Price	\$992	\$992	\$992	\$992	\$992	\$992	\$992
Add'l 200°F auto & man hi limit for reversed HX PNCH or V	Kit #	<u>CA015301</u>	<u>CA015301</u>	<u>CA015301</u>	<u>CA015302</u>	<u>CA015302</u>	<u>CA015302</u>	<u>CA015302</u>
	Price	\$992	\$992	\$992	\$992	\$992	\$992	\$992
Reversed Heat Exchangers		<i>Order kit number as separate line item</i>						
Reversed heat exchanger	Kit #	<u>CA015203</u>	<u>CA015203</u>	<u>CA015203</u>	<u>CA015203</u>	<u>CA015203</u>	<u>CA015203</u>	<u>CA015203</u>
	Price	\$339	\$339	\$339	\$339	\$339	\$339	\$339

Mighty Therm2 (200-400) Pricing - Effective July 18, 2022

Hydronic Boilers and Volume Water Heaters

Configurations				
	Character in Model Number	Size 200	300	400
Firing Mode - 12th character in model number				
On/Off	C	n/c	n/c	n/c
Two-Stage	K	\$611	\$611	\$611
Heat Exchanger Options - 14th character in model number <i>Add amount shown to list price</i>				
Glass-lined cast iron headers/copper tubes (std on MT2H , n/a for MT2V)	C			n/c
Glass-lined cast iron headers/copper tubes/bronze trim (std on MT2V) (add price for MT2H)	B	MT2V - n/c	MT2V - n/c	MT2V - n/c MT2H - \$408
Glass-lined cast iron headers/cu-nickel tubes (n/a on MT2V)	N			\$1,062
Glass-lined cast iron headers/cu-nickel tubes/bronze trim added to MT2H	P			\$1,471
Glass-lined cast iron headers/cu-nickel tubes/bronze trim added to MT2V	P	\$522	\$771	\$1,062
Glass-lined cast iron headers/copper tubes/bronze trim, HLW (MT2V only)	2	n/c	n/c	n/c
Glass-lined cast iron headers/cu-nickel tubes/bronze trim, HLW (MT2V only)	5	\$522	\$771	\$1,062
Configuration - 15th character in model number <i>Add amount shown to list price</i>				
Standard MT2H controls (n/a on MT2V)	X			n/c
Low-temp control (std on MT2V)	L	n/c	n/c	n/c
Pump Options - 16th character in model number <i>Add amount shown to list price</i>				
No pump	X	n/c	n/c	n/c
Normal water, mounted	N	\$1,106	\$1,106	\$1,106
Soft water, mounted (MT2V only)	S	\$1,106	\$1,106	\$1,106
Additional Installed Options				
Mounted Kits <i>Order kit number as separate line item</i>				
Low water cutoff, MT2H, std trim	Kit #			<u>KM000901</u>
	List Price			\$559
Low water cutoff, MT2V	Kit #	<u>KM000902</u>	<u>KM000902</u>	<u>KM000902</u>
	List Price	\$559	\$559	\$559
Low water cutoff, MT2H, bronze trim	Kit #			<u>KM000903</u>
	List Price			\$559
Reversed heat exchanger, non-pump-mounted unit	Kit #	<u>KM001000</u>	<u>KM001000</u>	<u>KM001000</u>
	List Price	\$272	\$272	\$272
Reversed heat exchanger, pump-mounted unit	Kit #	<u>KM001100</u>	<u>KM001100</u>	<u>KM001100</u>
	List Price	\$272	\$272	\$272
Accessories for Field Use				
Vent/Air Parts for Units Installed Indoors				
Side-wall vent terminal (required for side-wall venting)	Kit #	<u>CA003101</u>	<u>CA003102</u>	<u>CA003103</u>
	List Price	\$626	\$739	\$751
Side-wall combustion air terminal (required for ducted combustion air)	Kit #	<u>CA003201</u>	<u>CA003201</u>	<u>CA003202</u>
	List Price	\$355	\$355	\$723
Vent/Air Parts for Units Installed Outdoors				
Vent terminal & combustion air terminal kit <i>Kit contains flue collar adapter, length of vent pipe, rain cap, louvered air intake cover</i>	Kit #	<u>CA003001</u>	<u>CA003002</u>	<u>CA003003</u>
	List Price	\$1,071	\$1,274	\$1,626

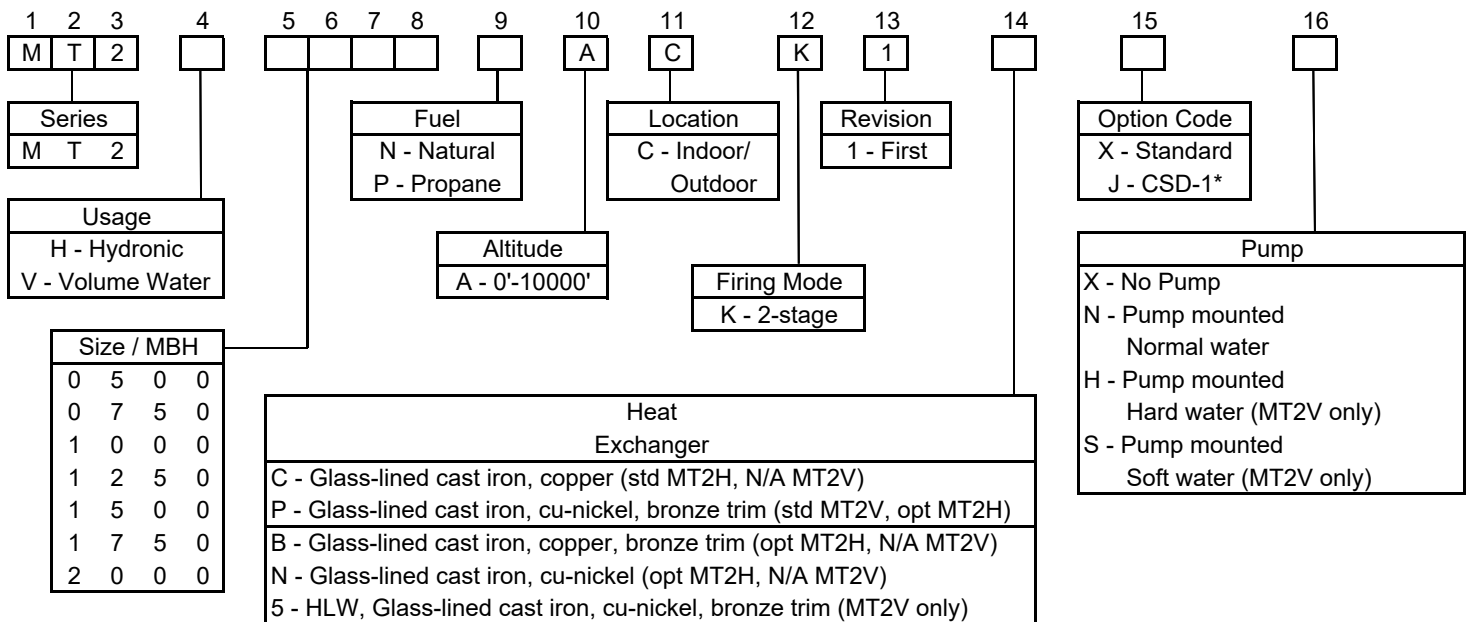
Mighty Therm2 (500-2000) Pricing - Effective July 18, 2022

Hydronic Boilers and Volume Water Heaters

Standard Features

- ASME 160 psi working pressure heat exchanger
- ASME "H" stamp
- Indoor / outdoor
- Two-stage firing
- Flanged water connections
- Glass-lined cast iron headers
- Bronze trim std on MT2V
- External header gaskets
- 75 psi (517kPa) ASME rated pressure relief valve (MT2H)
- 125 psi (861kPa) ASME rated pressure relief valve (MT2V)
- Water flow switch
- Temperature and pressure gauge
- Multiple operating gas valve/ pressure regulators
- Manual "A" gas valve
- Intake air filter
- Multiple, removable burner trays
- Stainless steel burners
- Built-in draft fan(s) for Category I or III venting
- Air pressure switch
- Burner site glass
- 24V control system
- 115/24VAC transformer
- Manual reset high limit 240°F max (MT2H)
- Manual reset high limit 210°F max (MT2V)
- External controller connections with selector switch
- Hot surface ignition
- On/Off toggle switch
- Pump time delay
- Less than 10ppm NOx

Model Nomenclature



***Option J: for CSD-1, GAP, FM, IL (low water cutoff not included)**

Adds high and low gas pressure switches, leak test valves, and changes standard ignition control to single trial.

Additional Information

	500	750	1000	1250	1500	1750	2000
Input, BTU/hr	500,000	750,000	999,000	1,250,000	1,500,000	1,750,000	1,999,000
Weight, lbs	650	711	869	1051	1065	1084	1,284
<small>(Add 55 lbs for pump-mounted units)</small>							

Mighty Therm2 (500-2000) Pricing - Effective July 18, 2022

Hydronic Boilers and Volume Water Heaters

Pricing - Standard Unit (no pump or other options)

	500	750	1000	1250	1500	1750	2000
Hydronic Boiler	<u>MT2H0500</u>	<u>MT2H0750</u>	<u>MT2H1000</u>	<u>MT2H1250</u>	<u>MT2H1500</u>	<u>MT2H1750</u>	<u>MT2H2000</u>
4th character - H	\$14,287	\$16,267	\$19,021	\$21,864	\$25,849	\$26,583	\$29,805
Volume Water Heater	<u>MT2V0500</u>	<u>MT2V0750</u>	<u>MT2V1000</u>	<u>MT2V1250</u>	<u>MT2V1500</u>	<u>MT2V1750</u>	<u>MT2V2000</u>
4th character - V	\$15,021	\$16,912	\$19,590	\$22,615	\$26,583	\$27,836	\$30,521

Pricing - Optional Configurations

	500	750	1000	1250	1500	1750	2000
Fuel Options - 9th character code							
Natural - N	n/c	n/c	n/c	n/c	n/c	n/c	n/c
Propane - P	n/c	n/c	n/c	n/c	n/c	n/c	n/c
Heat Exchanger Options - 14th character code <i>Add amount shown to list price</i>							
C - Copper - std MT2H (n/a MT2V)	n/c	n/c	n/c	n/c	n/c	n/c	n/c
Cu-Nickel, Bronze trim - std MT2V							
P - MT2V - std - n/c	n/c	n/c	n/c	n/c	n/c	n/c	n/c
MT2H - add	\$1,812	\$2,508	\$3,004	\$3,761	\$3,951	\$4,764	\$4,858
Copper, Bronze trim							
B - MT2H - add (n/a MT2V)	\$771	\$771	\$771	\$771	\$771	\$771	\$771
Cu-Nickel							
N - MT2H - add (n/a MT2V)	\$1,041	\$1,738	\$2,233	\$2,991	\$3,182	\$3,993	\$4,087
5 - HLW Cu-Ni, Bronze trim (opt. MT2V, n/a MT2H)	n/c	n/c	n/c	n/c	n/c	n/c	n/c
Control / Gas Train Options - 15th character code <i>Add amount shown to list price</i>							
X - Standard (no LWCO)	n/c	n/c	n/c	n/c	n/c	n/c	n/c
J - CSD-1, FM, GAP, IL (no LWCO)	\$772	\$893	\$1,045	\$1,576	\$1,576	\$1,576	\$1,668
Pump Options - 16th character code <i>Add amount shown to list price (+55 lbs to ship weight)</i>							
X - No Pump	n/c	n/c	n/c	n/c	n/c	n/c	n/c
Normal Water Pump							
N - Mounted and Wired	\$1,576	\$1,576	\$1,643	\$1,643	\$1,886	\$1,886	\$2,353
Hard Water Pump							
H - Mounted and Wired (MT2V only)	\$1,886	\$1,886	\$1,886	\$1,886	\$1,886	\$1,886	\$2,353
Soft Water Pump							
S - Mounted and Wired (MT2V only)	\$1,576	\$1,576	\$1,576	\$1,576	\$1,576	\$1,886	\$2,353

Mighty Therm2 (500-2000) Pricing - Effective July 18, 2022

Hydronic Boilers and Volume Water Heaters

Installed Options

Order kit number as separate line item

		500	750	1000	1250	1500	1750	2000
Low water cutoff for non-reversed heat exchanger	Kit #	<u>KM001500</u>	<u>KM001500</u>	<u>KM001500</u>	<u>KM001500</u>	<u>KM001500</u>	<u>KM001500</u>	<u>KM001500</u>
	Price	\$859	\$859	\$859	\$859	\$859	\$859	\$859
Low water cutoff for reversed heat exchanger	Kit #	<u>KM001600</u>	<u>KM001600</u>	<u>KM001600</u>	<u>KM001600</u>	<u>KM001600</u>	<u>KM001600</u>	<u>KM001600</u>
	Price	\$859	\$859	\$859	\$859	\$859	\$859	\$859
Reversed heat exchanger for unit with no pump	Kit #	<u>KM001801</u>	<u>KM001801</u>	<u>KM001803</u>	<u>KM001802</u>	<u>KM001802</u>	<u>KM001802</u>	<u>KM001802</u>
	Price	\$339	\$339	\$339	\$339	\$339	\$339	\$339
Reversed heat exchanger for unit with pump	Kit #	<u>KM001701</u>	<u>KM001701</u>	<u>KM001703</u>	<u>KM001702</u>	<u>KM001702</u>	<u>KM001702</u>	<u>KM001702</u>
	Price	\$339	\$339	\$339	\$339	\$339	\$339	\$339
200°F max controls (MT2H only)	Kit #	<u>KM001900</u>	<u>KM001900</u>	<u>KM001900</u>	<u>KM001900</u>	<u>KM001900</u>	<u>KM001900</u>	<u>KM001900</u>
	Price	\$203	\$203	\$203	\$203	\$203	\$203	\$203
Ignition failure alarm w/ bell, dry contacts, red trouble light, green main gas light	Kit #	<u>KM002000</u>	<u>KM002000</u>	<u>KM002000</u>	<u>KM002000</u>	<u>KM002000</u>	<u>KM002000</u>	<u>KM002000</u>
	Price	\$1,401	\$1,401	\$1,401	\$1,401	\$1,401	\$1,401	\$1,401
Auto reset high limit MT2H (added to manual reset limit)	Kit #	<u>KM002100</u>	<u>KM002100</u>	<u>KM002100</u>	<u>KM002300</u>	<u>KM002300</u>	<u>KM002300</u>	<u>KM002300</u>
	Price	\$307	\$307	\$307	\$307	\$307	\$307	\$307
Auto reset high limit MT2V & MT2H w/ 200°F max (added to manual reset limit)	Kit #	<u>KM002200</u>	<u>KM002200</u>	<u>KM002200</u>	<u>KM002400</u>	<u>KM002400</u>	<u>KM002400</u>	<u>KM002400</u>
	Price	\$307	\$307	\$307	\$307	\$307	\$307	\$307
Auto reset high limit MT2H for reversed HX (added to manual reset limit)	Kit #	<u>KM002100</u>	<u>KM002100</u>	<u>KM002100</u>	<u>KM002100</u>	<u>KM002100</u>	<u>KM002100</u>	<u>KM002100</u>
	Price	\$307	\$307	\$307	\$307	\$307	\$307	\$307
Auto reset high limit MT2V & MT2H w/ 200°F max, rev HX (added to manual reset limit)	Kit #	<u>KM002200</u>	<u>KM002200</u>	<u>KM002200</u>	<u>KM002200</u>	<u>KM002200</u>	<u>KM002200</u>	<u>KM002200</u>
	Price	\$307	\$307	\$307	\$307	\$307	\$307	\$307

Accessories for Field Mounting

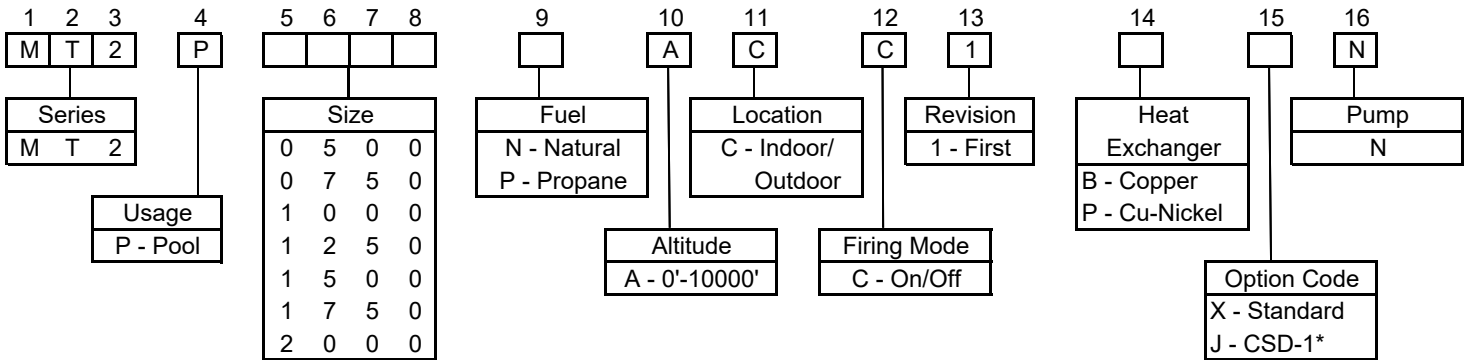
		500	750	1000	1250	1500	1750	2000
		<i>Order kit number as separate line item</i>						
Alarm package		<u>CA015800</u>	<u>CA015800</u>	<u>CA015800</u>	<u>CA015800</u>	<u>CA015800</u>	<u>CA015800</u>	<u>CA015800</u>
		\$1,401	\$1,401	\$1,401	\$1,401	\$1,401	\$1,401	\$1,401
		<i>Order kit number as separate line item</i>						
Indoor Venting Accessories								
Side-wall vent terminal (req'd for side-wall venting)	Kit #	<u>CA001406</u>	<u>CA001407</u>	<u>CA001407</u>	<u>CA001408</u>	<u>CA001408</u>	<u>CA001409</u>	<u>CA001409</u>
	Price	\$867	\$1,020	\$1,020	\$1,061	\$1,061	\$1,317	\$1,317
Side-wall comb. air terminal (req'd for side-wall ducted air)	Kit #	<u>CA20260701</u>	<u>CA20260703</u>	<u>CA20260703</u>	<u>CA20260706</u>	<u>CA20260706</u>	<u>CA20260706</u>	<u>CA20260706</u>
	Price	\$284	\$284	\$284	\$302	\$302	\$302	\$302
Outdoor Venting Accessories								
<i>Order kit number as separate line item</i>								
Outdoor vent terminal	Kit #	<u>20254703</u>	<u>20254705</u>	<u>20254705</u>	<u>D2007700</u>	<u>D2007700</u>	<u>D2007800</u>	<u>D2007800</u>
	Price	\$1,340	\$1,822	\$1,822	\$2,010	\$2,010	\$2,010	\$2,010
Outdoor combustion air terminal*	Kit #	<u>CA014701</u>	<u>CA014702</u>	<u>CA014702</u>	<u>CA014704</u>	<u>CA014704</u>	<u>CA014704</u>	<u>CA014704</u>
	Price	\$461	\$576	\$576	\$1,012	\$1,012	\$1,012	\$1,012
*Alternate terminals may be used. Consult factory								
<i>Order kit number as separate line item</i>								
Conversion Kits								
Propane to Natural Gas	Kit #	<u>CA007701</u>	<u>CA007702</u>	<u>CA007703</u>	<u>CA007704</u>	<u>CA007705</u>	<u>CA007706</u>	<u>CA007707</u>
	Price	\$90	\$126	\$163	\$201	\$237	\$274	\$310
Natural Gas to Propane	Kit #	<u>CA007708</u>	<u>CA007709</u>	<u>CA007710</u>	<u>CA007711</u>	<u>CA007712</u>	<u>CA007713</u>	<u>CA007714</u>
	Price	\$90	\$126	\$163	\$201	\$237	\$274	\$310

Mighty Therm 2 Pool Heater Pricing - Effective July 18, 2022

Standard Features

- ASME 160 psi working pressure
- ASME "H" stamp
- Indoor / outdoor
- Flanged water connections
- Glass-lined cast iron headers
- External header gaskets
- 75 psi (517kPa) ASME rated pressure relief valve
- Flow switch
- Temperature and pressure gauge
- Pump mounted and wired
- Automatic bypass and mixing system for low temperature protection
- Multiple operating gas valve/pressure regulators
- Manual "A" gas valve
- Intake air filter
- Multiple, removable burner trays
- Stainless steel burners
- Built-in draft fan(s) for Category I or III venting
- Air pressure switch
- Heater auto high limit 200°F
- Pool loop auto limit 135°F
- Burner site glass
- 24V control system
- 115/24VAC transformer
- Hot surface ignition
- On/Off toggle switch
- Pump time delay
- Diagnostic lights
- Less than 10ppm NOx
- External controller connections with selector switch

Model Nomenclature



*Option J: for CSD-1, GAP, FM, IL (low water cutoff not included)

- Adds high and low gas pressure switches
- Adds lead test valves
- Changes ignition control from the standard three-attempt to a single attempt
- Changes heater automatic high limit to manual reset high limit

Pricing

Copper, Standard (Natural, Propane)

Model Number	List Price
MT2P0500 (N,P) ACC1BXN	\$18,673
MT2P0750 (N,P) ACC1BXN	\$20,621
MT2P1000 (N,P) ACC1BXN	\$24,926
MT2P1250 (N,P) ACC1BXN	\$30,125
MT2P1500 (N,P) ACC1BXN	\$32,376
MT2P1750 (N,P) ACC1BXN	\$35,708
MT2P2000 (N,P) ACC1BXN	\$37,368

Copper, CSD-1 (Natural, Propane)

Model Number	List Price
MT2P0500 (N,P) ACC1BJN	\$19,445
MT2P0750 (N,P) ACC1BJN	\$21,513
MT2P1000 (N,P) ACC1BJN	\$25,971
MT2P1250 (N,P) ACC1BJN	\$31,701
MT2P1500 (N,P) ACC1BJN	\$33,952
MT2P1750 (N,P) ACC1BJN	\$37,284
MT2P2000 (N,P) ACC1BJN	\$39,037

Cu-nickel, Standard (Natural, Propane)

Model Number	List Price
MT2P0500 (N,P) ACC1PXN	\$19,714
MT2P0750 (N,P) ACC1PXN	\$22,359
MT2P1000 (N,P) ACC1PXN	\$27,159
MT2P1250 (N,P) ACC1PXN	\$33,116
MT2P1500 (N,P) ACC1PXN	\$35,557
MT2P1750 (N,P) ACC1PXN	\$39,702
MT2P2000 (N,P) ACC1PXN	\$41,455

Cu-nickel, CSD-1 (Natural, Propane)

Model Number	List Price
MT2P0500 (N,P) ACC1PJN	\$20,486
MT2P0750 (N,P) ACC1PJN	\$23,251
MT2P1000 (N,P) ACC1PJN	\$28,204
MT2P1250 (N,P) ACC1PJN	\$34,692
MT2P1500 (N,P) ACC1PJN	\$37,133
MT2P1750 (N,P) ACC1PJN	\$41,278
MT2P2000 (N,P) ACC1PJN	\$43,124

Mighty Therm 2 Pool Heater Pricing - Effective July 18, 2022

Installed Options

Order kit number as separate line item

		500	750	1000	1250	1500	1750	2000
Reversed heat exchanger	Kit #	<u>KM005900</u>	<u>KM005900</u>	<u>KM006000</u>	<u>KM006000</u>	<u>KM006000</u>	<u>KM006000</u>	<u>KM006000</u>
	Price	\$339	\$339	\$339	\$339	\$339	\$339	\$339
Low water cutoff	Kit #	<u>KM001500</u>	<u>KM001500</u>	<u>KM001500</u>	<u>KM001500</u>	<u>KM001500</u>	<u>KM001500</u>	<u>KM001500</u>
	Price	\$859	\$859	\$859	\$859	\$859	\$859	\$859
Low water cutoff for reversed heat exchanger	Kit #	<u>KM001600</u>	<u>KM001600</u>	<u>KM001600</u>	<u>KM001600</u>	<u>KM001600</u>	<u>KM001600</u>	<u>KM001600</u>
	Price	\$859	\$859	\$859	\$859	\$859	\$859	\$859
Ignition failure alarm w/ bell, dry contacts, & lights	Kit #	<u>KM002000</u>	<u>KM002000</u>	<u>KM002000</u>	<u>KM002000</u>	<u>KM002000</u>	<u>KM002000</u>	<u>KM002000</u>
	Price	\$1,401	\$1,401	\$1,401	\$1,401	\$1,401	\$1,401	\$1,401

Accessories for Field Mounting

500 750 1000 1250 1500 1750 2000

Order kit number as separate line item

Alarm package	Kit #	<u>CA015800</u>	<u>CA015800</u>	<u>CA015800</u>	<u>CA015800</u>	<u>CA015800</u>	<u>CA015800</u>	<u>CA015800</u>
	Price	\$1,401	\$1,401	\$1,401	\$1,401	\$1,401	\$1,401	\$1,401

Indoor Installations

Order kit number as separate line item

Side-wall vent terminal (req'd for side-wall venting)	Kit #	<u>CA001406</u>	<u>CA001407</u>	<u>CA001407</u>	<u>CA001408</u>	<u>CA001408</u>	<u>CA001409</u>	<u>CA001409</u>
	Price	\$867	\$1,020	\$1,020	\$1,061	\$1,061	\$1,317	\$1,317
Side-wall comb. air terminal (req'd for side-wall ducted air)	Kit #	<u>CA20260701</u>	<u>CA20260703</u>	<u>CA20260703</u>	<u>CA20260706</u>	<u>CA20260706</u>	<u>CA20260706</u>	<u>CA20260706</u>
	Price	\$284	\$284	\$284	\$302	\$302	\$302	\$302

Outdoor Installations

Order kit number as separate line item

Outdoor vent terminal	Kit #	<u>20254703</u>	<u>20254705</u>	<u>20254705</u>	<u>D2007700</u>	<u>D2007700</u>	<u>D2007800</u>	<u>D2007800</u>
	Price	\$1,340	\$1,822	\$1,822	\$2,010	\$2,010	\$2,010	\$2,010
Outdoor comb. air terminal*	Kit #	<u>CA014701</u>	<u>CA014702</u>	<u>CA014702</u>	<u>CA014704</u>	<u>CA014704</u>	<u>CA014704</u>	<u>CA014704</u>
	Price	\$461	\$576	\$576	\$1,012	\$1,012	\$1,012	\$1,012

*Alternate terminals may be used. Consult factory.

Conversion Kits

Order kit number as separate line item

Propane to Natural Gas	Kit #	<u>CA007701</u>	<u>CA007702</u>	<u>CA007703</u>	<u>CA007704</u>	<u>CA007705</u>	<u>CA007706</u>	<u>CA007707</u>
	Price	\$90	\$126	\$163	\$201	\$237	\$274	\$310
Natural Gas to Propane	Kit #	<u>CA007708</u>	<u>CA007709</u>	<u>CA007710</u>	<u>CA007711</u>	<u>CA007712</u>	<u>CA007713</u>	<u>CA007714</u>
	Price	\$90	\$126	\$163	\$201	\$237	\$274	\$310

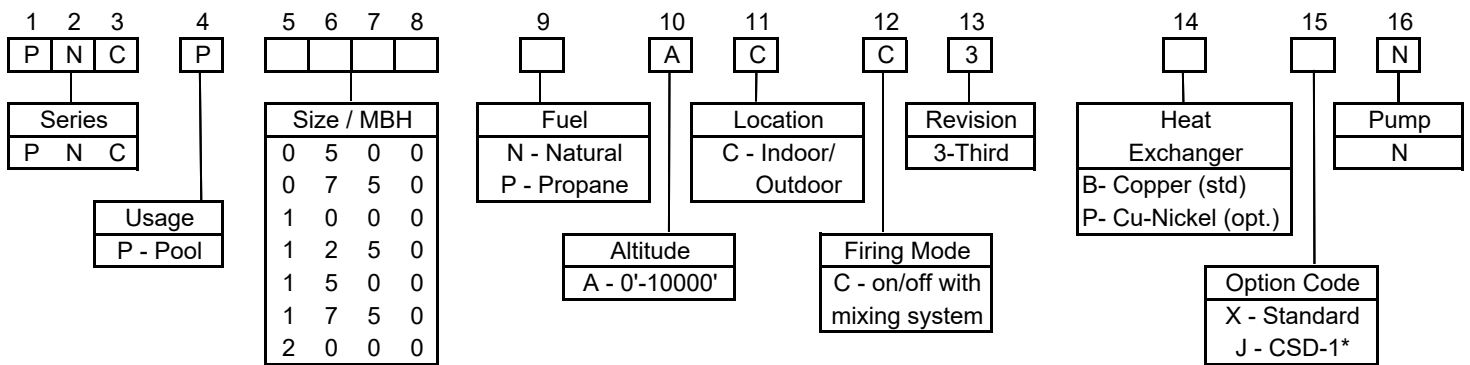
Pennant CP Pool Heater Pricing - Effective July 18, 2022

Pool Heater With Automatic Anti-Condense Mixing System

Standard Features

- ASME 160 psi working pressure heat exchanger
- ASME "H" stamp
- Indoor / Outdoor
- Anti-condense mixing system
- Electronic staging & ignition control with LCD touchscreen
- Control of heater and pool pump
- Adjustable pump time delays
- BACnet MSTP & Modbus with opt. BACnet IP, Metasys, LonWorks
- Accepts External 0-10VDC or 4-20mA for remote control of temp or stages
- Displays clear text messages
- Diagnostics for analog/digital inputs
- Password protected parameters
- Quick start configuration
- Hot surface ignition
- 24V control system
- On/Off toggle switch
- 115/24VAC transformer
- Heater inlet & outlet sensors
- Pool loop supply & return sensors
- Manual reset heater high limit
- Auto reset heater high limit
- Manual reset pool loop high limit
- Auto reset pool loop high limit
- Dry run and alarm contacts
- Anti-frost mode
- Anti-short-cycle mode
- Pump, mounted & wired
- Flanged water connections
- Glass-lined cast iron headers
- External header gaskets
- Air pressure switch
- 75 psi (517kPa) ASME rated pressure relief valve (PNCH)
- Water flow switch
- Temperature and pressure gauge
- Multiple operating gas valve/pressure regulators
- Manual "A" gas valve
- Multiple, removable burner trays
- Stainless steel burners
- Built-in draft fan(s) for Category I or III venting
- Intake air filter
- Burner site glass

Model Nomenclature



***Option J: for CSD-1, GAP, FM, IL (low water cutoff NOT included)**

Adds high and low gas pressure switches, leak test valves, and changes standard ignition control to single trial.

List Pricing

Copper, Standard (Natural, Propane)

Model Number	List Price
PNCP0500 (N,P) ACC3BXN	\$20,279
PNCP0750 (N,P) ACC3BXN	\$22,032
PNCP1000 (N,P) ACC3BXN	\$27,471
PNCP1250 (N,P) ACC3BXN	\$31,518
PNCP1500 (N,P) ACC3BXN	\$37,007
PNCP1750 (N,P) ACC3BXN	\$42,982
PNCP2000 (N,P) ACC3BXN	\$43,850

Cu-nickel, Standard (Natural, Propane)

Model Number	List Price
PNCP0500 (N,P) ACC3PXN	\$21,319
PNCP0750 (N,P) ACC3PXN	\$23,770
PNCP1000 (N,P) ACC3PXN	\$29,705
PNCP1250 (N,P) ACC3PXN	\$34,509
PNCP1500 (N,P) ACC3PXN	\$40,189
PNCP1750 (N,P) ACC3PXN	\$46,975
PNCP2000 (N,P) ACC3PXN	\$47,937

Copper, CSD-1 (Natural, Propane)

Model Number	List Price
PNCP0500 (N,P) ACC3BJN	\$21,050
PNCP0750 (N,P) ACC3BJN	\$22,925
PNCP1000 (N,P) ACC3BJN	\$28,516
PNCP1250 (N,P) ACC3BJN	\$33,094
PNCP1500 (N,P) ACC3BJN	\$38,583
PNCP1750 (N,P) ACC3BJN	\$44,558
PNCP2000 (N,P) ACC3BJN	\$45,519

Cu-nickel, CSD-1 (Natural, Propane)

Model Number	List Price
PNCP0500 (N,P) ACC3PJN	\$22,091
PNCP0750 (N,P) ACC3PJN	\$24,662
PNCP1000 (N,P) ACC3PJN	\$30,749
PNCP1250 (N,P) ACC3PJN	\$36,085
PNCP1500 (N,P) ACC3PJN	\$41,765
PNCP1750 (N,P) ACC3PJN	\$48,551
PNCP2000 (N,P) ACC3PJN	\$49,605

Pennant CP Pool Heater Pricing - Effective July 18, 2022

Pool Heater With Automatic Anti-Condense Mixing System

Installed Options

Order kit number as separate line item

		500	750	1000	1250	1500	1750	2000
Low water cutoff for non-reversed heat exchanger	Kit #	<u>KM000202</u>	<u>KM000202</u>	<u>KM000202</u>	<u>KM000202</u>	<u>KM000202</u>	<u>KM000202</u>	<u>KM000202</u>
	Price	\$859	\$859	\$859	\$859	\$859	\$859	\$859
Low water cutoff for reversed heat exchanger	Kit #	<u>KM000202</u>	<u>KM000202</u>	<u>KM000201</u>	<u>KM000201</u>	<u>KM000201</u>	<u>KM000201</u>	<u>KM000201</u>
	Price	\$859	\$859	\$859	\$859	\$859	\$859	\$859
Reversed heat exchanger	Kit #	<u>KM007003</u>	<u>KM007003</u>	<u>KM007003</u>	<u>KM007003</u>	<u>KM007003</u>	<u>KM007003</u>	<u>KM007003</u>
	Price	\$339	\$339	\$339	\$339	\$339	\$339	\$339
Alternate display orientation for top unit in stacked system	Kit #	<u>KM007501</u>	<u>KM007501</u>	<u>KM007501</u>	<u>KM007501</u>	<u>KM007501</u>	<u>KM007501</u>	<u>KM007501</u>
	Price	n/c	n/c	n/c	n/c	n/c	n/c	n/c

Accessories for Field Mounting

Controls

Order kit number as separate line item

Gateway for BACnet IP and Modbus TCP/IP	Kit #	<u>CA015900</u>	<u>CA015900</u>	<u>CA015900</u>	<u>CA015900</u>	<u>CA015900</u>	<u>CA015900</u>	<u>CA015900</u>
	Price	\$3,166	\$3,166	\$3,166	\$3,166	\$3,166	\$3,166	\$3,166
Gateway for LonWorks	Kit #	<u>CA015901</u>	<u>CA015901</u>	<u>CA015901</u>	<u>CA015901</u>	<u>CA015901</u>	<u>CA015901</u>	<u>CA015901</u>
	Price	\$3,166	\$3,166	\$3,166	\$3,166	\$3,166	\$3,166	\$3,166

Indoor Venting Accessories

Order kit number as separate line item

Side-wall vent terminal (req'd for side-wall venting)	Kit #	<u>CA001401</u>	<u>CA001402</u>	<u>CA001402</u>	<u>CA001405</u>	<u>CA001405</u>	<u>CA001404</u>	<u>CA001404</u>
	Price	\$827	\$1,020	\$1,020	\$1,061	\$1,061	\$1,317	\$1,317
Side-wall comb. air terminal (req'd for side-wall ducted air)	Kit #	<u>CA20260701</u>	<u>CA20260703</u>	<u>CA20260703</u>	<u>CA20260706</u>	<u>CA20260706</u>	<u>CA20260706</u>	<u>CA20260706</u>
	Price	\$284	\$284	\$284	\$302	\$302	\$302	\$302

Outdoor Venting Accessories

Order kit number as separate line item

Outdoor vent terminal	Kit #	<u>20254703</u>	<u>20254705</u>	<u>20254705</u>	<u>D2007700</u>	<u>D2007700</u>	<u>D2007800</u>	<u>D2007800</u>
	Price	\$1,340	\$1,822	\$1,822	\$2,010	\$2,010	\$2,010	\$2,010
Outdoor combustion air terminal*	Kit #	<u>D2007900</u>	<u>D2008000</u>	<u>D2008000</u>	<u>D2008200</u>	<u>D2008200</u>	<u>D2008200</u>	<u>D2008200</u>
	Price	\$229	\$405	\$405	\$507	\$507	\$507	\$507

*Alternate terminals may be used. Consult factory

Conversion Kits

Order kit number as separate line item

Propane to Natural Gas	Kit #	<u>CA007701</u>	<u>CA007702</u>	<u>CA007703</u>	<u>CA007704</u>	<u>CA007705</u>	<u>CA007706</u>	<u>CA007707</u>
	Price	\$90	\$126	\$163	\$201	\$237	\$274	\$310
Natural Gas to Propane	Kit #	<u>CA007708</u>	<u>CA007709</u>	<u>CA007710</u>	<u>CA007711</u>	<u>CA007712</u>	<u>CA007713</u>	<u>CA007714</u>
	Price	\$90	\$126	\$163	\$201	\$237	\$274	\$310

Reversed Heat Exchangers

Order kit number as separate line item

Reversed heat exchanger	Kit #	<u>CA015203</u>	<u>CA015203</u>	<u>CA015203</u>	<u>CA015203</u>	<u>CA015203</u>	<u>CA015203</u>	<u>CA015203</u>
	Price	\$339	\$339	\$339	\$339	\$339	\$339	\$339

Additional Information

	500	750	1000	1250	1500	1750	2000
Input, BTU/hr	500,000	750,000	999,000	1,250,000	1,500,000	1,750,000	1,999,000
Shipping Weight, lbs	775	870	1035	1130	1285	1380	1510

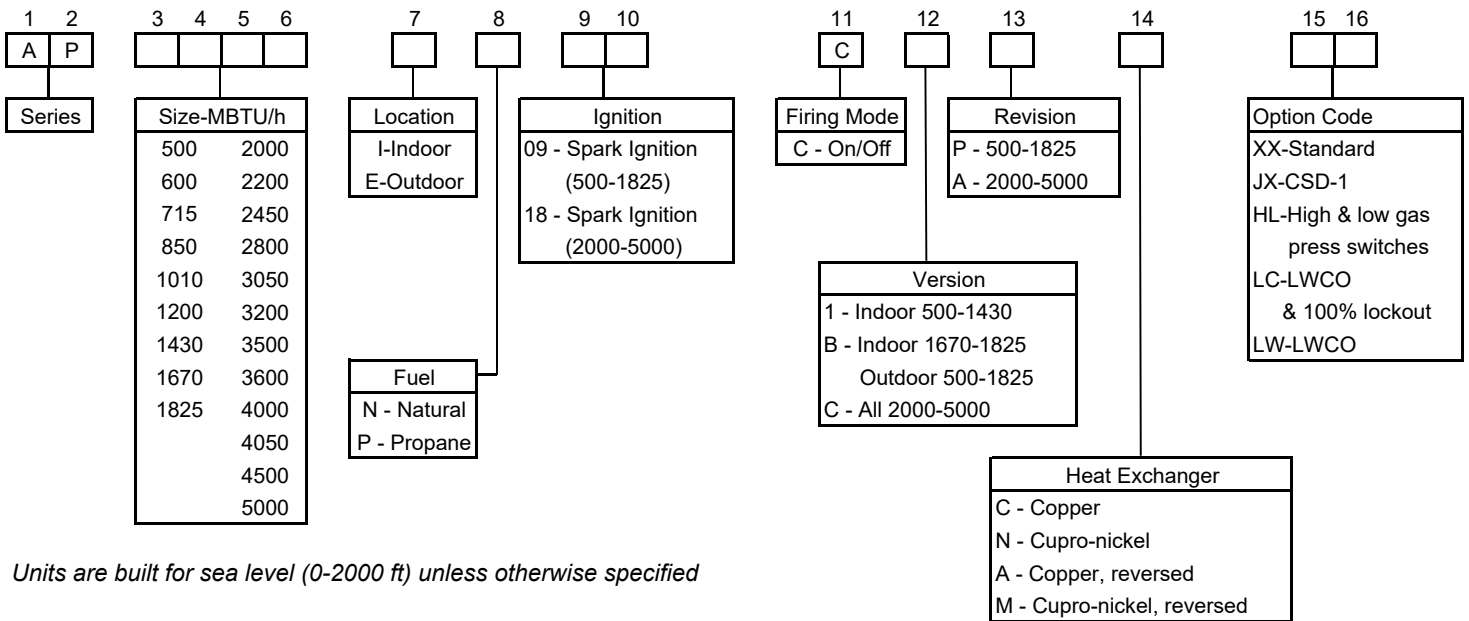
Mighty Therm AP Pricing - Effective July 18, 2022

Commercial Pool Heating Boilers

Standard Features

- Integral finned copper tube heat exchanger, ASME 160 psi working pressure, 2-pass configuration
- Integral pump (500-1825)
- Glass-lined cast iron headers
- 75 psi (517kPa) ASME rated PRV
- Two temperature gauges (500-1825)
- Water flow switch (500-1825)
- Water pressure switch (2000-5000)
- Built-in integral draft hood (indoor models)
- Stainless steel burners
- Redundant safety gas valve
- High gas pressure switch (2800 & up)
- Manual "A" gas valve
- Manual pilot valve
- Pilot gas regulator
- Non-combustible base (500-1825 outdoor)
- Electronic operating control with remote sensor for pool loop (500-1825)
- Pump time delay (500-1825)
- Adjustable auto reset high limit for pool loop (max 135°F) (500-1825)
- Adj. auto reset high limit for heater outlet (max 200°F) (500-1825)
- Adjustable manual reset high limit for heater outlet (max 140°F)
- 115/24VAC transformer
- On/Off toggle switch
- Power on light
- 2 amp fuse

Model Nomenclature



Pricing - Standard Unit

Indoor Units			
Size	List Price	Size	List Price
	Ign Sys 9		Ign Sys 18
500	\$17,863	2000	\$35,809
600	\$18,577	2450	\$37,804
715	\$19,045	3050	\$43,299
850	\$20,244	3500	\$48,172
1010	\$21,377	4050	\$52,036
1200	\$22,454	4500	\$56,216
1430	\$23,453	5000	\$58,890
1670	\$25,405		
1825	\$26,361		

Outdoor Units			
Size	List Price	Size	List Price
	Ign Sys 9		Ign Sys 18
500	\$20,752	2200	\$41,869
600	\$21,311	2800	\$47,447
715	\$21,993	3200	\$53,485
850	\$22,840	3600	\$56,164
1010	\$24,735	4000	\$59,990
1200	\$25,883	4500	\$62,722
1430	\$26,949		
1670	\$27,455		
1825	\$29,610		

Mighty Therm AP Pricing - Effective July 18, 2022

Commercial Pool Heating Boilers

Additional Equipment Information

Components	Model Size	
	500-2450	2800-5000
High gas pressure switch	Optional	Standard
Low gas pressure switch	Optional	Optional
100% lockout ignition control	Standard on propane and all CSD-1 units. Optional on natural gas non-CSD-1 units.	Standard on propane and all CSD-1 units. Optional on natural gas non-CSD-1 units.

Special Codes & Options - Descriptions

Size	CSD-1	Size	CSD-1
500-2450	Adds: <ul style="list-style-type: none"> • LWCO (with manual reset and test button) • Manual firing valve • Leak test valve • 100% lockout ignition control 	2800-5000	Adds: <ul style="list-style-type: none"> • LWCO (with manual reset and test button) • Manual firing valve • Multiple leak test valves • 100% lockout ignition control • Low gas pressure switches

Special Codes & Options - List Price Adders

Size	CSD-1	Low Water Cutoff	LWCO and 100% Lockout*	High & Low Gas Pressure Switches	Cupro-Nickel Tubes
500	\$1,174	\$826	\$970	\$1,023	\$1,594
600	\$1,174	\$826	\$970	\$1,023	\$1,842
715	\$1,174	\$826	\$970	\$1,023	\$2,114
850	\$1,174	\$826	\$970	\$1,023	\$2,296
1010	\$1,214	\$826	\$970	\$1,023	\$2,480
1200	\$1,214	\$826	\$970	\$1,023	\$2,828
1430	\$1,214	\$826	\$970	\$1,023	\$3,270
1670	\$1,279	\$826	\$970	\$1,023	\$3,700
1825	\$1,279	\$826	\$970	\$1,023	\$4,008
2000	\$1,279	\$826	\$970	\$1,023	\$5,376
2200 E / 2450 I	\$1,279	\$826	\$970	\$974	\$6,509
2800 E / 3050 I	\$2,244	\$826	\$970	\$733	\$8,070
3200 E / 3500 I	\$2,244	\$826	\$970	\$733	\$9,190
3600 E / 4050 I	\$2,244	\$826	\$970	\$848	\$10,323
4000 E / 4500 I	\$2,244	\$826	\$970	\$848	\$11,309
4500 E / 5000 I	\$2,244	\$826	\$970	\$848	\$12,241

*100% lockout is standard on all propane units.

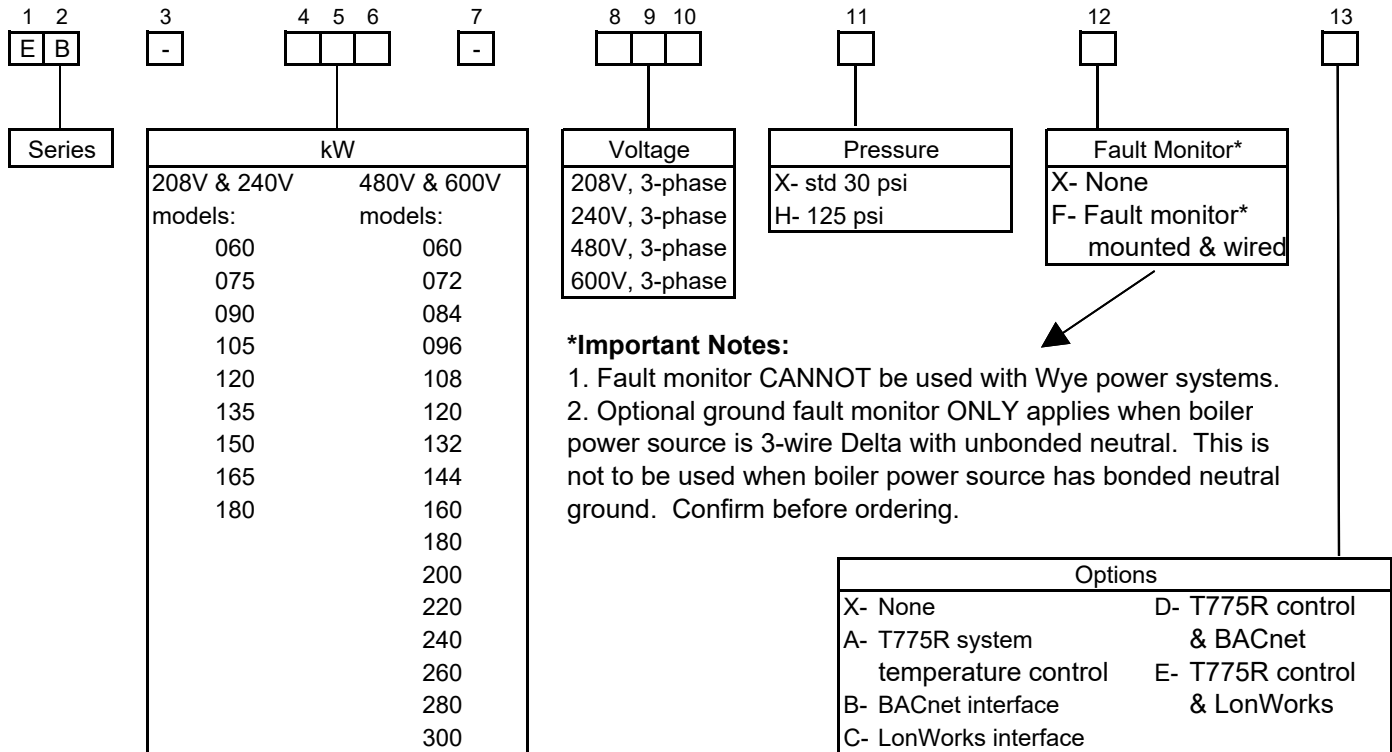
Laars Commercial Electric Boiler Pricing - Effective July 18, 2022

Model EB

Standard Features

- ASME pressure vessel
- National Board & CRN registration
- Meets ASME CSD-1 requirements
- ASME 30 psi pressure rating and relief valve (125 psi optional)
- SCCR rated at 5 kW
- Temperature & pressure gauge
- 3" Inspection opening
- 3" NPT water connections
- Integrated 1/2" air vent
- Supply and return water temperature sensing
- Digital temperature control with display
- Multiple boiler lead-lag control
- 0-10VDC external boiler control
- Adjustable outdoor reset
- Manual reset high limit, 220°F
- Auto reset high limit, 210°F
- Low water cutoff with manual reset
- Stage active lights
- Circuit breakers or fuse protection on each stage
- Emergency shutdown connections point
- Safety door interlock
- Lockable door latch

Model Nomenclature



Options Pricing

Add to list price of boiler

12th Model Character	Description	List Price
F	Boiler Fault Monitor, Mounted & Wired	Call Laars

Add to list price of boiler

13th Model Character	Description	List Price
A	T775R System Temperature Control	\$2,370
B	BACnet Interface	\$2,490
C	LonWorks Interface	\$2,490
D	T775R Control & BACnet Interface	\$4,860
E	T775R Control & LonWorks Interface	\$4,860

Laars Commercial Electric Boiler Pricing - Effective July 18, 2022

Model EB List Prices

Standard Models (with 30 psi Rating & PRV)

Model Number	kW	Btu/hour Output	Voltage 3-Phase	Total Amps	Element Quantity	Steps	Boiler Weight	List Price
EB-060-208XXX	60	204,728	208	166.5	4	4 @ 15	680 lbs	\$29,708
EB-075-208XXX	75	255,910	208	208.2	5	5 @ 15	685 lbs	\$31,539
EB-090-208XXX	90	307,092	208	249.8	6	6 @ 15	690 lbs	\$33,370
EB-105-208XXX	105	358,274	208	291.5	7	7 @ 15	695 lbs	\$37,547
EB-120-208XXX	120	409,457	208	333.1	8	8 @ 15	700 lbs	\$39,501
EB-135-208XXX	135	460,639	208	374.7	9	9 @ 15	705 lbs	\$41,455
EB-150-208XXX	150	511,821	208	416.4	10	10 @ 15	710 lbs	\$43,408
EB-165-208XXX	165	563,003	208	458.0	11	11 @ 15	715 lbs	\$45,362
EB-180-208XXX	180	614,185	208	499.6	12	12 @ 15	720 lbs	\$50,696
EB-060-240XXX	60	204,728	240	144.3	4	4 @ 15	680 lbs	\$29,708
EB-075-240XXX	75	255,910	240	180.4	5	5 @ 15	685 lbs	\$31,539
EB-090-240XXX	90	307,092	240	216.5	6	6 @ 15	690 lbs	\$33,370
EB-105-240XXX	105	358,274	240	252.6	7	7 @ 15	695 lbs	\$37,547
EB-120-240XXX	120	409,457	240	288.7	8	8 @ 15	700 lbs	\$39,501
EB-135-240XXX	135	460,639	240	324.8	9	9 @ 15	705 lbs	\$41,455
EB-150-240XXX	150	511,821	240	360.8	10	10 @ 15	710 lbs	\$43,408
EB-165-240XXX	165	563,003	240	396.9	11	11 @ 15	715 lbs	\$45,362
EB-180-240XXX	180	614,185	240	433.0	12	12 @ 15	720 lbs	\$50,696
EB-060-480XXX	60	204,728	480	72.2	5	5 @ 12	685 lbs	\$28,579
EB-072-480XXX	72	245,674	480	86.6	6	6 @ 12	690 lbs	\$29,675
EB-084-480XXX	84	286,619	480	101.0	7	7 @ 12	695 lbs	\$30,771
EB-096-480XXX	96	327,565	480	115.5	8	8 @ 12	700 lbs	\$31,867
EB-108-480XXX	108	368,511	480	129.9	9	9 @ 12	705 lbs	\$35,025
EB-120-480XXX	120	409,457	480	144.3	10	10 @ 12	710 lbs	\$36,189
EB-132-480XXX	132	450,402	480	158.8	11	11 @ 12	715 lbs	\$37,355
EB-144-480XXX	144	491,348	480	173.2	12	12 @ 12	720 lbs	\$38,519
EB-160-480XXX	160	545,942	480	192.5	8	8 @ 20	700 lbs	\$39,684
EB-180-480XXX	180	614,185	480	216.5	9	9 @ 20	705 lbs	\$43,571
EB-200-480XXX	200	682,428	480	240.6	10	10 @ 20	710 lbs	\$44,813
EB-220-480XXX	220	750,671	480	264.6	11	11 @ 20	715 lbs	\$53,142
EB-240-480XXX	240	818,914	480	288.7	12	12 @ 20	720 lbs	\$54,575
EB-260-480XXX	260	887,156	480	312.7	13	13 @ 20	725 lbs	\$56,009
EB-280-480XXX	280	955,400	480	336.8	14	14 @ 20	730 lbs	\$57,442
EB-300-480XXX	300	1,023,642	480	360.8	15	15 @ 20	735 lbs	\$58,876
EB-060-600XXX	60	204,728	600	57.7	5	5 @ 12	685 lbs	\$28,579
EB-072-600XXX	72	245,674	600	69.3	6	6 @ 12	690 lbs	\$29,675
EB-084-600XXX	84	286,619	600	80.8	7	7 @ 12	695 lbs	\$30,771
EB-096-600XXX	96	327,565	600	92.4	8	8 @ 12	700 lbs	\$31,867
EB-108-600XXX	108	368,511	600	103.9	9	9 @ 12	705 lbs	\$35,025
EB-120-600XXX	120	409,457	600	115.5	10	10 @ 12	710 lbs	\$36,189
EB-132-600XXX	132	450,402	600	127.0	11	11 @ 12	715 lbs	\$37,355
EB-144-600XXX	144	491,348	600	138.6	12	12 @ 12	720 lbs	\$38,519
EB-160-600XXX	160	545,942	600	154.0	8	8 @ 20	700 lbs	\$39,684
EB-180-600XXX	180	614,185	600	173.2	9	9 @ 20	705 lbs	\$43,571
EB-200-600XXX	200	682,428	600	192.5	10	10 @ 20	710 lbs	\$44,813
EB-220-600XXX	220	750,671	600	211.7	11	11 @ 20	715 lbs	\$53,142
EB-240-600XXX	240	818,914	600	230.9	12	12 @ 20	720 lbs	\$54,575
EB-260-600XXX	260	887,156	600	250.2	13	13 @ 20	725 lbs	\$56,009
EB-280-600XXX	280	955,400	600	269.4	14	14 @ 20	730 lbs	\$57,442
EB-300-600XXX	300	1,023,642	600	288.7	15	15 @ 20	735 lbs	\$58,876

Laars Commercial Electric Boiler Pricing - Effective July 18, 2022

Model EB List Prices

Models with Optional 125 psi Rating & PRV

Model Number	kW	Btu/hour Output	Voltage 3-Phase	Total Amps	Element Quantity	Steps	Boiler Weight	List Price
EB-060-208HXX	60	204,728	208	166.5	4	4 @ 15	680 lbs	\$30,767
EB-075-208HXX	75	255,910	208	208.2	5	5 @ 15	685 lbs	\$32,599
EB-090-208HXX	90	307,092	208	249.8	6	6 @ 15	690 lbs	\$34,430
EB-105-208HXX	105	358,274	208	291.5	7	7 @ 15	695 lbs	\$38,608
EB-120-208HXX	120	409,457	208	333.1	8	8 @ 15	700 lbs	\$40,560
EB-135-208HXX	135	460,639	208	374.7	9	9 @ 15	705 lbs	\$42,514
EB-150-208HXX	150	511,821	208	416.4	10	10 @ 15	710 lbs	\$44,469
EB-165-208HXX	165	563,003	208	458.0	11	11 @ 15	715 lbs	\$46,422
EB-180-208HXX	180	614,185	208	499.6	12	12 @ 15	720 lbs	\$51,755
EB-060-240HXX	60	204,728	240	144.3	4	4 @ 15	680 lbs	\$30,767
EB-075-240HXX	75	255,910	240	180.4	5	5 @ 15	685 lbs	\$32,599
EB-090-240HXX	90	307,092	240	216.5	6	6 @ 15	690 lbs	\$34,430
EB-105-240HXX	105	358,274	240	252.6	7	7 @ 15	695 lbs	\$38,608
EB-120-240HXX	120	409,457	240	288.7	8	8 @ 15	700 lbs	\$40,560
EB-135-240HXX	135	460,639	240	324.8	9	9 @ 15	705 lbs	\$42,514
EB-150-240HXX	150	511,821	240	360.8	10	10 @ 15	710 lbs	\$44,469
EB-165-240HXX	165	563,003	240	396.9	11	11 @ 15	715 lbs	\$46,422
EB-180-240HXX	180	614,185	240	433.0	12	12 @ 15	720 lbs	\$51,755
EB-060-480HXX	60	204,728	480	72.2	5	5 @ 12	685 lbs	\$29,640
EB-072-480HXX	72	245,674	480	86.6	6	6 @ 12	690 lbs	\$30,735
EB-084-480HXX	84	286,619	480	101.0	7	7 @ 12	695 lbs	\$31,831
EB-096-480HXX	96	327,565	480	115.5	8	8 @ 12	700 lbs	\$32,927
EB-108-480HXX	108	368,511	480	129.9	9	9 @ 12	705 lbs	\$36,084
EB-120-480HXX	120	409,457	480	144.3	10	10 @ 12	710 lbs	\$37,248
EB-132-480HXX	132	450,402	480	158.8	11	11 @ 12	715 lbs	\$38,414
EB-144-480HXX	144	491,348	480	173.2	12	12 @ 12	720 lbs	\$39,579
EB-160-480HXX	160	545,942	480	192.5	8	8 @ 20	700 lbs	\$40,743
EB-180-480HXX	180	614,185	480	216.5	9	9 @ 20	705 lbs	\$44,630
EB-200-480HXX	200	682,428	480	240.6	10	10 @ 20	710 lbs	\$45,874
EB-220-480HXX	220	750,671	480	264.6	11	11 @ 20	715 lbs	\$54,203
EB-240-480HXX	240	818,914	480	288.7	12	12 @ 20	720 lbs	\$55,636
EB-260-480HXX	260	887,156	480	312.7	13	13 @ 20	725 lbs	\$57,069
EB-280-480HXX	278	948,575	480	334.4	13	7@20/6@23	725 lbs	\$58,502
EB-300-480HXX	299	1,020,230	480	359.6	13	13 @ 23	725 lbs	\$59,938
EB-060-600HXX	60	204,728	600	57.7	5	5 @ 12	685 lbs	\$29,640
EB-072-600HXX	72	245,674	600	69.3	6	6 @ 12	690 lbs	\$30,735
EB-084-600HXX	84	286,619	600	80.8	7	7 @ 12	695 lbs	\$31,831
EB-096-600HXX	96	327,565	600	92.4	8	8 @ 12	700 lbs	\$32,927
EB-108-600HXX	108	368,511	600	103.9	9	9 @ 12	705 lbs	\$36,084
EB-120-600HXX	120	409,457	600	115.5	10	10 @ 12	710 lbs	\$37,248
EB-132-600HXX	132	450,402	600	127.0	11	11 @ 12	715 lbs	\$38,414
EB-144-600HXX	144	491,348	600	138.6	12	12 @ 12	720 lbs	\$39,579
EB-160-600HXX	160	545,942	600	154.0	8	8 @ 20	700 lbs	\$40,743
EB-180-600HXX	180	614,185	600	173.2	9	9 @ 20	705 lbs	\$44,630
EB-200-600HXX	200	682,428	600	192.5	10	10 @ 20	710 lbs	\$45,874
EB-220-600HXX	220	750,671	600	211.7	11	11 @ 20	715 lbs	\$54,203
EB-240-600HXX	240	818,914	600	230.9	12	12 @ 20	720 lbs	\$55,636
EB-260-600HXX	260	887,156	600	250.2	13	13 @ 20	725 lbs	\$57,069
EB-280-600HXX	278	948,575	600	267.5	13	7@20/6@23	725 lbs	\$58,502
EB-300-600HXX	299	1,020,230	600	287.7	13	13 @ 23	725 lbs	\$59,938

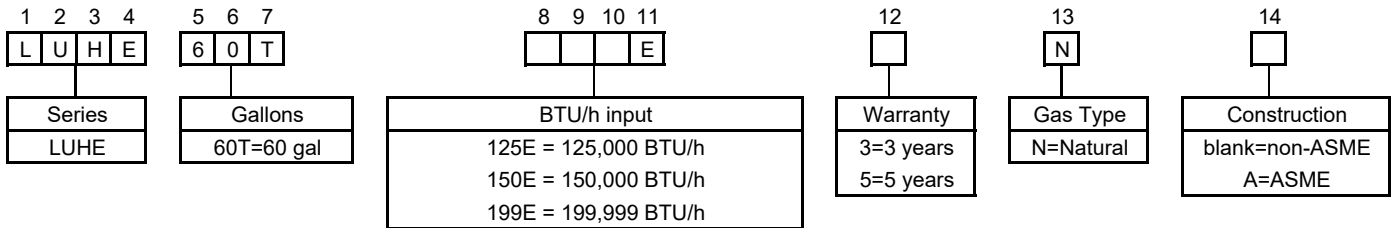
Laars U.H.E. Series Pricing - Effective July 18, 2022

Standard Features

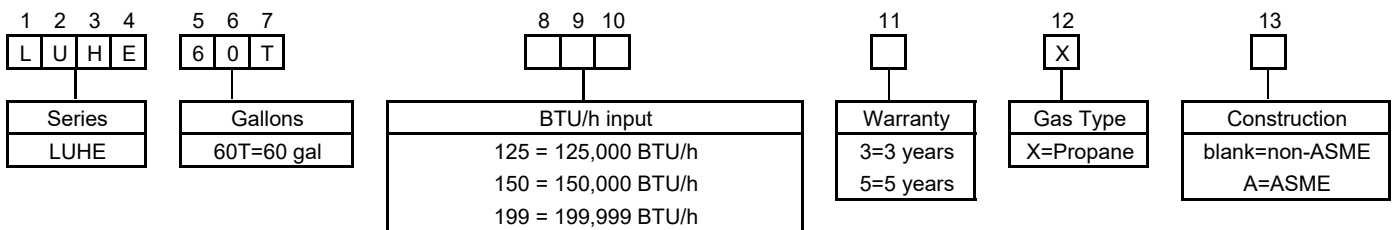
- ASME and non-ASME models
- Energy Star qualified
- Minimum 94% thermal efficiency
- Complies with the latest ultra-low NOx requirement (14ng/J limit)
- Temperature setting up to 180°F for sanitizing capability
- Electronic integrated temperature and ignition control with diagnostics
- NSF construction kit available
- Eight digitally displayed service screens
- Flame current and diagnostic codes are clearly displayed
- Lockable maximum temperature
- Direct spark ignition
- °F or °C operation and display
- Down-fired, premix power burner
- Submerged combustion chamber
- Three-pass heat exchanger
- Sediment reduction system
- 1" NPT side connections for space heating
- Flexible venting options
- Exhaust pressure switch
- T&P relief valve installed
- Low restrictive brass drain valve

Model Nomenclature

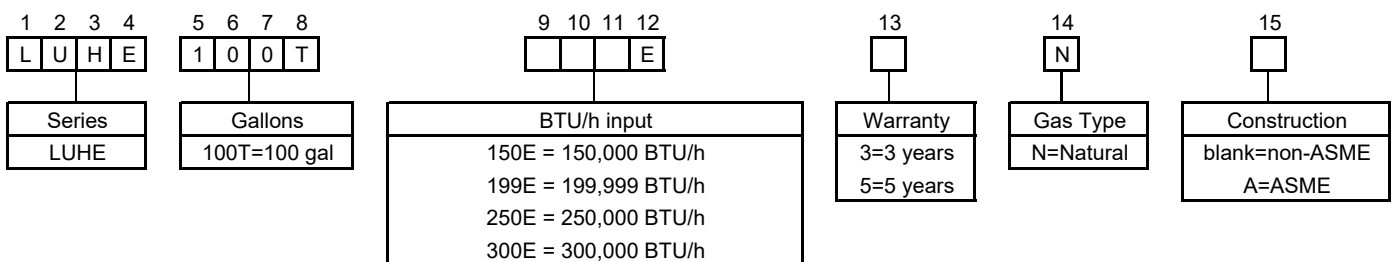
Natural Gas 60 Gallon Models



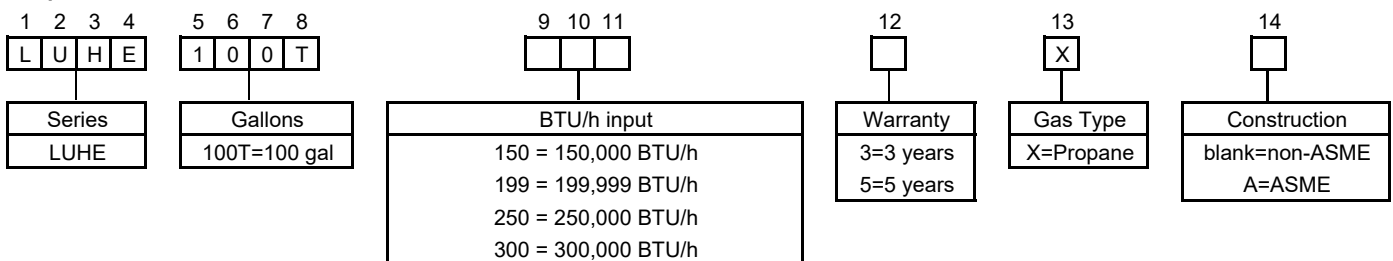
Propane 60 Gallon Models



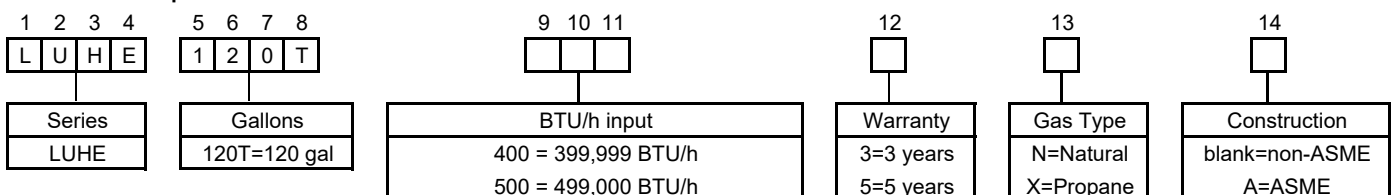
Natural Gas 100 Gallon Models



Propane 100 Gallon Models



Natural and Propane 120 Gallon Models



Laars U.H.E. Series Pricing - Effective July 18, 2022

Ultra High Efficiency Commercial Gas Water Heaters

Model	Gallons	Weight lbs	List Price	Model	Gallons	Weight lbs	List Price
Natural, Non-ASME, 3-year Warranty				Natural, ASME, 3-year Warranty			
LUHE60T125E3N	60	570	\$10,178	LUHE60T125E3NA	60	570	\$12,997
LUHE60T150E3N	60	570	\$13,697	LUHE60T150E3NA	60	570	\$15,581
LUHE60T199E3N	60	570	\$13,929	LUHE60T199E3NA	60	570	\$16,295
LUHE100T150E3N	100	900	\$14,200	LUHE100T150E3NA	100	900	\$17,344
LUHE100T199E3N	100	900	\$14,270	LUHE100T199E3NA	100	900	\$17,374
LUHE100T250E3N	100	900	\$15,954	LUHE100T250E3NA	100	900	\$19,088
LUHE100T300E3N	100	900	\$17,994	LUHE100T300E3NA	100	900	\$21,300
LUHE120T4003N	119	1120	\$19,748	LUHE120T4003NA	119	1120	\$22,836
LUHE120T5003N	119	1135	\$23,131	LUHE120T5003NA	119	1135	\$25,217
Propane, Non-ASME, 3-year Warranty				Propane, ASME, 3-year Warranty			
LUHE60T1253X	60	570	\$10,178	LUHE60T1253XA	60	570	\$12,997
LUHE60T1503X	60	570	\$13,697	LUHE60T1503XA	60	570	\$15,581
LUHE60T1993X	60	570	\$13,929	LUHE60T1993XA	60	570	\$16,295
LUHE100T1503X	100	900	\$14,200	LUHE100T1503XA	100	900	\$17,344
LUHE100T1993X	100	900	\$14,270	LUHE100T1993XA	100	900	\$17,374
LUHE100T2503X	100	900	\$15,954	LUHE100T2503XA	100	900	\$19,088
LUHE100T3003X	100	900	\$17,994	LUHE100T3003XA	100	900	\$21,300
LUHE120T4003X	119	1120	\$19,748	LUHE120T4003XA	119	1120	\$22,836
LUHE120T5003X	119	1135	\$23,131	LUHE120T5003XA	119	1135	\$25,217
Natural, Non-ASME, 5-year Warranty				Natural, ASME, 5-year Warranty			
LUHE60T125E5N	60	570	\$10,929	LUHE60T125E5NA	60	570	\$13,962
LUHE60T150E5N	60	570	\$14,765	LUHE60T150E5NA	60	570	\$16,911
LUHE60T199E5N	60	570	\$15,158	LUHE60T199E5NA	60	570	\$17,798
LUHE100T150E5N	100	900	\$15,220	LUHE100T150E5NA	100	900	\$18,601
LUHE100T199E5N	100	900	\$15,318	LUHE100T199E5NA	100	900	\$18,658
LUHE100T250E5N	100	900	\$17,142	LUHE100T250E5NA	100	900	\$20,498
LUHE100T300E5N	100	900	\$19,347	LUHE100T300E5NA	100	900	\$22,892
LUHE120T4005N	119	1120	\$21,622	LUHE120T4005NA	119	1120	\$24,949
LUHE120T5005N	119	1135	\$25,005	LUHE120T5005NA	119	1135	\$27,330
Propane, Non-ASME, 5-year Warranty				Propane, ASME, 5-year Warranty			
LUHE60T1255X	60	570	\$10,929	LUHE60T1255XA	60	570	\$13,962
LUHE60T1505X	60	570	\$14,765	LUHE60T1505XA	60	570	\$16,911
LUHE60T1995X	60	570	\$15,158	LUHE60T1995XA	60	570	\$17,798
LUHE100T1505X	100	900	\$15,220	LUHE100T1505XA	100	900	\$18,601
LUHE100T1995X	100	900	\$15,318	LUHE100T1995XA	100	900	\$18,658
LUHE100T2505X	100	900	\$17,142	LUHE100T2505XA	100	900	\$20,498
LUHE100T3005X	100	900	\$19,347	LUHE100T3005XA	100	900	\$22,892
LUHE120T4005X	119	1120	\$21,622	LUHE120T4005XA	119	1120	\$24,949
LUHE120T5005X	119	1135	\$25,005	LUHE120T5005XA	119	1135	\$27,330

BACnet gateway

Part Number 415-53943-00 - List Price \$2960

Condensate Neutralizer Kits

Part Number A2123601 for 125,000 to 150,000 units - List Price \$165

Part Number A2123602 for 199,000 to 499,000 units - List Price \$264

Concentric Vent Kits:*

Part Number	Description	List Price	*Check specification/submittal sheet for allowable terminal types and sizes
239-44069-01	3" Concentric Terminal	\$140	
239-44069-02	2" Concentric Terminal	\$140	
CA010101	3" Low Profile Terminal	\$130	
CA010102	4" Low Profile Terminal	\$140	

NSF Compliance Kit - Part Number 265-44542-04 - List Price \$74

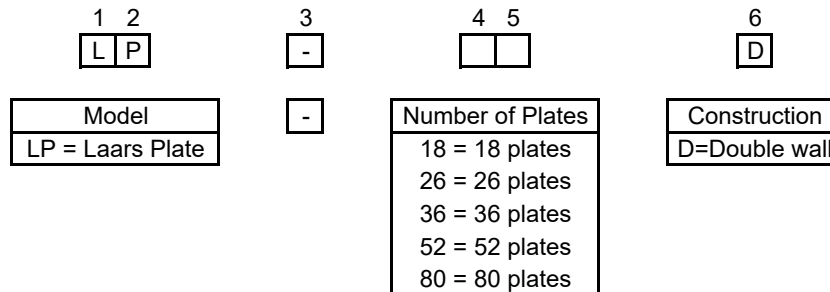
Laars Plate Pricing - Effective July 18, 2022

Plate and Frame Commercial Indirect Water Heater

Standard Features

- ASME section VIII stamped
- Rated in accordance with ANSI/AHRI Standard 400
- PID controller
- RS 485 Modbus and BACnet data port
- Compatible with BAS/BMS
- Audible over-temp alarm
- Completely skid-mounted and wired
- Double-wall stainless steel construction
- 3-way control valve
- 150psi temperature & pressure relief valve
- Backflush connections
- Isolation valves
- Temperature gauge
- Drain valve
- Inlet strainers
- Compatible with condensing and non-condensing boilers
- 5-year heat exchanger warranty

Model Nomenclature



List Pricing

Model	List Price
LP-18D	\$46,880
LP-26D	\$50,675
LP-36D	\$54,470
LP-52D	\$60,720
LP-80D	\$72,329

Laars-Stor Pricing - Effective July 18, 2022

Indirect Water Heaters

Model	Description	Weight Lbs	List Price
Commercial (single wall)			
LS-SW65C5	58 gallon	265	\$4,481
LS-SW80C5	73 gallon	293	\$4,837
LS-SW120C5	114 gallon	415	\$6,545

Jacketed Hot Water Storage Tank Pricing - Effective July 18, 2022

Glass-Lined, Insulated, Jacketed and Painted Tanks

Part Number	Description	Weight	List Price
A0073100	80 gallons, 2" connections	250	\$2,778
A0073101	80 gallons, 2" connections, ASME	250	\$5,838
A0078800	120 gallons, 2" connections	315	\$4,295
A0070101	120 gallons, 2.5" connections, ASME	315	\$8,780
A2086000	200 gallons, 2.5" connections, ASME	750	\$13,807
A0031900	Anode replacement, aluminum, 3/4" NPT, 48" segmented		\$467

Commercial Products Pricing and Ordering

Please visit www.laars.com/termsandconditions to review the complete and current Terms and Conditions for all Laars purchases.

Laars Boiler Controls Pricing - Effective July 18, 2022

Multiple Boiler Controls for Modulating Boilers, such as NeoTherm and MagnaTherm

Part Number	Description	M4 Control Family		Weight	List
				lbs	Price
CA009200	Laars M4-LHS - Multiple boiler sequencing control with outdoor reset for up to four modulating boilers, or a combination of modulating and stage-fired boilers. This controller is especially useful for hybrid systems with a mix of condensing and non-condensing boilers. Use with up to two M4EXT modules to control more stages, and use with the Laars XSIG or Laars H-BAC module. M4-LHS includes water sensor, outdoor air sensor and clip.			2.5	\$4,391
CA009100	Laars X-BAC - Use this module with the M4-LHS controller to allow a BACnet system to control the M4-LHS, and to obtain information from it. When used with an M4-LHS and NeoTherm or MagnaTherm units, the X-BAC will allow a user to send information directly from the boiler to the BACnet system.			1	\$1,890
CA004400	Laars M4-EXT - Extension module control, to add 6 more boilers to the control system. Includes RS485 connection cable. Up to two M4EXT modules can be used with one M4 control, for control of up to 16 boilers from the same system			2.5	\$4,494
CA004200	Laars X-SIG - Module that can be used with S8 and M4 controls, allowing an external 4-20mA signal to adjust the control setpoint. Includes RS485 cable.			1	\$1,638
CA002400	Sensor - System water temp and outdoor air, two included with each M4-LHS			1	\$267
CA002500	Sensor well - used with CA002400, included with each M4-LHS			1	\$154

Multiple Boiler Controls for Stage-Fired Boilers, such as Pennant and Mighty Therm2

S8 Control Family

CA004000	S8 - Multiple boiler sequencing control with outdoor reset for up to eight boiler stages. Will control on/off, two-stage and four-stage boilers.			2.5	\$3,681
CA004100	S8EXT - Extension module for S8 control, to add 8 boiler stages to the control system. Includes RS485 cable. Up to two S8EXT modules can be used with one S8 control, for control of up to 24 boiler stages on the same system.			2.5	\$2,762
CA004200	Laars X-SIG - Module that can be used with S8 and M4 controls, allowing an external 4-20mA signal to adjust the control setpoint. Includes RS485 cable.			1	\$1,638
CA002400	Sensor - System water temp and outdoor air, two included with each S8			1	\$267
CA002500	Sensor well - used with CA002400, included with each S8			1	\$154



Customer Service and Product Support: 800.900.9276 • Fax 800.559.1583
 Headquarters: 20 Industrial Way, Rochester, NH, USA 03867 • 603.335.6300 • Fax 603.335.3355
 9 Brigden Gate, Halton Hills, Ontario, Canada L7G 0A3 • 905.203.0600 • Fax 905.636.0666
www.Laars.com

Litho in U.S.A. © Laars Heating Systems 22-07 Document 6041AW