

# Commercial Products Pricing and Ordering

NeoTherm NTH Indoor (399-850).....	2	Mighty Therm2 (200-400) .....	35
NeoTherm NTH Outdoor (399-850).....	4	Mighty Therm2 (500-2000) .....	37
NeoTherm NTV Indoor (150-850).....	6	Mighty Therm2 Commercial Pool Heaters .....	40
NeoTherm NTV Outdoor (150-850).....	8	Pennant CP Commercial Pool Heaters.....	42
NeoTherm (1000-1200) .....	10	Mighty Therm AP Commercial Pool Heaters.....	44
MagnaTherm FT (1000-3000) .....	13	Laars Commercial Electric Boiler .....	46
MagnaTherm HTD (1600-4000) .....	15	Laars U.H.E. Series Water Heaters .....	49
MagnaTherm (1600-4000).....	18	Laars Plate .....	51
OmniTherm Cat II & IV (1250-3000).....	21	Laars-Stor Indirect Water Heaters .....	51
OmniTherm Cat I & III (1250-2500) .....	24	Jacketed Storage Tanks.....	51
Pennant .....	27	Boiler Controls.....	52
Low-Temp Pennant .....	31		



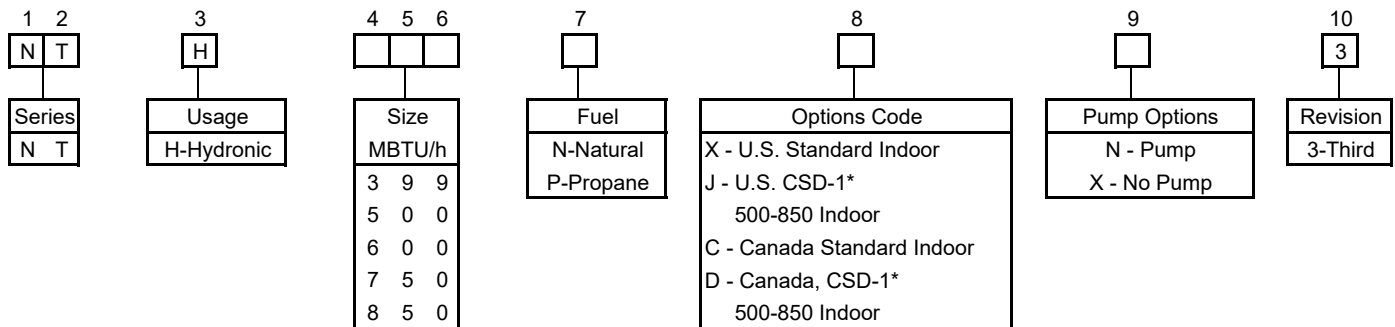
# NeoTherm NTH (399-850) Indoor Pricing - Effective December 6, 2021

## Commercial Modulating Condensing Boilers

### Standard Features

- High condensing efficiency
- Modulation down to 20% of full fire (5:1 turndown)
- Sealed combustion chamber
- Pre-mix stainless steel burner
- Low NOx system exceeds the most stringent regulations for air quality - 10ppm NOx
- Horizontal or vertical direct vent
- Horizontal vent and air terminals
- Vent and air pipe lengths of up to 100 equivalent feet (each)
- Built-in condensate trap
- Vent temperature cutoff
- Indirect water heater priority (sensor included)
- ASME 160psi (207kPa) working pressure heat exchanger
- Stainless steel heat exchanger with welded construction
- ASME "H" stamp
- 75psi (517kPa) ASME rated pressure relief valve
- Temperature and pressure gauge
- Multiple pump control for boiler pump, system pump, and indirect domestic water pump, each with delay
- Optional pump (sized to model) included for field installation
- Water flow switch
- Electronic PID modulating control
- Direct spark ignition
- Large touch screen user interface and color display
- Alarm output
- Accepts external (4-20mA or 0-10VDC) modulation signal
- Outdoor reset (sensor included)
- On/Off toggle switch
- Drain valve
- Manual reset high limit
- Burner site glass
- Zero clearance to combustible surfaces
- 10-year limited warranty

### Model Nomenclature



### Pricing

#### No Pump

Model Number	List Price
NTH 399 (N,P) (X,C) X3	\$17,676
NTH 500 (N,P) (X,C) X3	\$22,384
NTH 600 (N,P) (X,C) X3	\$25,103
NTH 750 (N,P) (X,C) X3	\$27,458
NTH 850 (N,P) (X,C) X3	\$29,752

#### No Pump - With CSD-1\*

Model Number	List Price
NTH 500 (N,P) (J,D) X3	\$23,422
NTH 600 (N,P) (J,D) X3	\$26,141
NTH 750 (N,P) (J,D) X3	\$28,496
NTH 850 (N,P) (J,D) X3	\$30,790

#### Pump Included

Model Number	List Price
NTH 399 (N,P) (X,C) N3	\$18,257
NTH 500 (N,P) (X,C) N3	\$23,971
NTH 600 (N,P) (X,C) N3	\$26,794
NTH 750 (N,P) (X,C) N3	\$29,149
NTH 850 (N,P) (X,C) N3	\$31,443

#### Pump Included - With CSD-1\*

Model Number	List Price
NTH 500 (N,P) (J,D) N3	\$25,009
NTH 600 (N,P) (J,D) N3	\$27,832
NTH 750 (N,P) (J,D) N3	\$30,187
NTH 850 (N,P) (J,D) N3	\$32,481

List prices for U.S. units include a PVC vent terminal and intake air terminal, a "starter section" of CPVC vent pipe and adapter for standard PVC pipe.

\*CSD-1 (model character 8 = J or D) includes low water cutoff and high/low gas pressure switches

# NeoTherm NTH (399-850) Indoor Pricing - Effective December 6, 2021

## Commercial Modulating Condensing Boilers

### Factory Mounted Options

*Order kit number as separate line item*

		399	500	600	750	850
Low water cutoff	Kit #	<u>KM002507</u>	<u>KM002500</u>	<u>KM002500</u>	<u>KM002504</u>	<u>KM002504</u>
	Price	\$524	\$524	\$524	\$524	\$524
Additional auto reset high limit	Kit #	<u>KM002701</u>	<u>KM002701</u>	<u>KM002701</u>	<u>KM002701</u>	<u>KM002701</u>
	Price	\$124	\$124	\$124	\$124	\$124
High/low gas pressure switches	Kit #	N/A	<u>KM002801</u>	<u>KM002800</u>	<u>KM003300</u>	<u>KM003300</u>
	Price		\$514	\$514	\$514	\$514
Alarm bell w/ silence switch for ignition failure	Kit #	<u>KM003100</u>	<u>KM003100</u>	<u>KM003100</u>	<u>KM003100</u>	<u>KM003100</u>
	Price	\$696	\$696	\$696	\$696	\$696
30psi relief valve	Kit #	<u>KM002901</u>	<u>KM002901</u>	<u>KM002901</u>	<u>KM002911</u>	<u>KM002911</u>
	Price	no charge	no charge	no charge	no charge	no charge
50psi relief valve	Kit #	<u>KM002902</u>	<u>KM002902</u>	<u>KM002902</u>	<u>KM002912</u>	<u>KM002912</u>
	Price	no charge	no charge	no charge	no charge	no charge
60psi relief valve	Kit #	<u>KM002903</u>	<u>KM002903</u>	<u>KM002903</u>	<u>KM002913</u>	<u>KM002913</u>
	Price	no charge	no charge	no charge	no charge	no charge
125psi relief valve	Kit #	<u>KM002904</u>	<u>KM002922</u>	<u>KM002922</u>	<u>KM002914</u>	<u>KM002914</u>
	Price	no charge	no charge	no charge	no charge	no charge
150psi relief valve	Kit #	<u>KM002905</u>	<u>KM002905</u>	<u>KM002905</u>	<u>KM002915</u>	<u>KM002915</u>
	Price	no charge	no charge	no charge	no charge	no charge

### Accessories for Field Mounting

*Order kit number as separate line item*

		399	500	600	750	850
Low water cutoff	Kit #	<u>CA004902</u>	<u>CA004901</u>	<u>CA004901</u>	<u>CA004906</u>	<u>CA004906</u>
	Price	\$543	\$543	\$543	\$543	\$543
High/low gas pressure switches	Kit #	<u>CA005700</u>	<u>CA005101</u>	<u>CA005100</u>	<u>CA006700</u>	<u>CA006700</u>
	Price	\$543	\$543	\$543	\$543	\$543
Boiler pump	Kit #	<u>CA006800</u>	<u>CA005300</u>	<u>CA005301</u>	<u>CA005301</u>	<u>CA005301</u>
	Price	\$915	\$2,343	\$2,566	\$2,566	\$2,566
Common vent kit (One kit required for each NeoTherm unit)	Kit #	<u>CA016402</u>	<u>CA016402</u>			
	Price	\$1,212	\$1,212	N/A	N/A	N/A
Flush-mount concentric terminal, 4"	Kit #	<u>CA010102</u>	<u>CA010102</u>	<u>CA010102</u>	<u>CA010102</u>	<u>CA010102</u>
	Price	\$120	\$120	\$120	\$120	\$120
Propane conversion kit	Kit #	<u>CA006207</u>	<u>CA006207</u>	<u>CA006207</u>	<u>CA006207</u>	<u>CA006207</u>
	Price	\$26	\$26	\$26	\$26	\$26
Condensate neutralizer kit	Kit #	<u>A2123602</u>	<u>A2123602</u>	<u>A2123603</u>	<u>A2123603</u>	<u>A2123603</u>
	Price	\$264	\$264	\$664	\$664	\$664
Vari-Prime variable speed pump drive	Kit #	<u>CA013600</u>	<u>CA013600</u>	<u>CA013600</u>	<u>CA013600</u>	<u>CA013600</u>
	Price	\$952	\$952	\$952	\$952	\$952
Add'l auto high limit	Kit #	<u>CA005001</u>	<u>CA005001</u>	<u>CA005001</u>	<u>CA005001</u>	<u>CA005001</u>
	Price	\$121	\$121	\$121	\$121	\$121
BACnet gateway	Kit #	<u>CA010300</u>	<u>CA010300</u>	<u>CA010300</u>	<u>CA010300</u>	<u>CA010300</u>
	Price	\$3,015	\$3,015	\$3,015	\$3,015	\$3,015
LON gateway	Kit #	<u>CA010301</u>	<u>CA010301</u>	<u>CA010301</u>	<u>CA010301</u>	<u>CA010301</u>
	Price	\$3,015	\$3,015	\$3,015	\$3,015	\$3,015

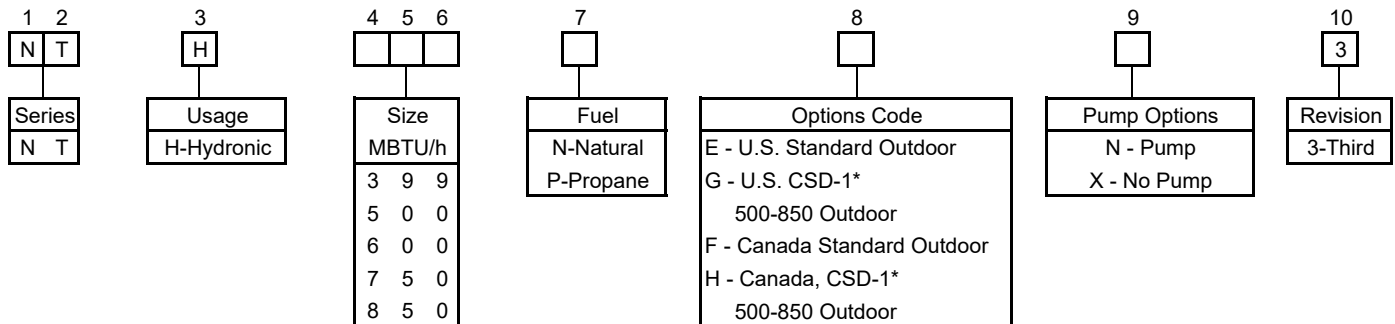
# NeoTherm NTH (399-850) Outdoor Pricing - Effective December 6, 2021

## Commercial Modulating Condensing Boilers

### Standard Features

- High condensing efficiency
- Modulation down to 20% of full fire (5:1 turndown)
- Sealed combustion chamber
- Pre-mix stainless steel burner
- Low NOx system exceeds the most stringent regulations for air quality - 10ppm NOx
- All necessary venting items are included
- Built-in condensate trap
- Vent temperature cutoff
- ASME 160psi (207kPa) working pressure heat exchanger
- ASME "H" stamp
- Stainless steel heat exchanger with welded construction
- 75psi (517kPa) ASME rated pressure relief valve
- Electronic PID modulating control
- Large touch screen user interface and color display
- Accepts external (4-20mA or 0-10VDC) modulation signal
- Multiple pump control for boiler pump, system pump, and indirect domestic water pump, each with delay
- Direct spark ignition
- Alarm output
- Outdoor reset (sensor included)
- Indirect water heater priority (sensor included)
- Optional pump (sized to model) included for field installation
- Temperature and pressure gauge
- Water flow switch
- On/Off toggle switch
- Drain valve
- Manual reset high limit
- Burner site glass
- Zero clearance to combustible surfaces
- 10-year limited warranty

### Model Nomenclature



### Pricing

#### No Pump

Model Number	List Price
NTH 399 (N,P) (E,F) X3	\$18,558
NTH 500 (N,P) (E,F) X3	\$23,503
NTH 600 (N,P) (E,F) X3	\$26,357
NTH 750 (N,P) (E,F) X3	\$28,831
NTH 850 (N,P) (E,F) X3	\$31,240

#### No Pump - With CSD-1\*

Model Number	List Price
NTH 500 (N,P) (G,H) X3	\$24,541
NTH 600 (N,P) (G,H) X3	\$27,395
NTH 750 (N,P) (G,H) X3	\$29,869
NTH 850 (N,P) (G,H) X3	\$32,278

#### Pump Included

Model Number	List Price
NTH 399 (N,P) (E,F) N3	\$19,210
NTH 500 (N,P) (E,F) N3	\$25,159
NTH 600 (N,P) (E,F) N3	\$28,118
NTH 750 (N,P) (E,F) N3	\$30,592
NTH 850 (N,P) (E,F) N3	\$33,001

#### Pump Included - With CSD-1\*

Model Number	List Price
NTH 500 (N,P) (G,H) N3	\$26,197
NTH 600 (N,P) (G,H) N3	\$29,156
NTH 750 (N,P) (G,H) N3	\$31,630
NTH 850 (N,P) (G,H) N3	\$34,039

List prices include a polypropylene vent terminal

\*CSD-1 (model character 8 = G or H) includes low water cutoff and high/low gas pressure switches

# NeoTherm NTH (399-850) Outdoor Pricing - Effective December 6, 2021

## Commercial Modulating Condensing Boilers

### Factory Mounted Options

*Order kit number as separate line item*

		<b>399</b>	<b>500</b>	<b>600</b>	<b>750</b>	<b>850</b>
Low water cutoff	Kit #	N/A	<u>KM002500</u>	<u>KM002500</u>	<u>KM002509</u>	<u>KM002509</u>
	Price		\$524	\$524	\$524	\$524
Additional auto reset high limit	Kit #	<u>KM002701</u>	<u>KM002701</u>	<u>KM002701</u>	<u>KM002701</u>	<u>KM002701</u>
	Price	\$124	\$124	\$124	\$124	\$124
High/low gas pressure switches	Kit #	N/A	<u>KM002801</u>	<u>KM002800</u>	<u>KM003300</u>	<u>KM003300</u>
	Price		\$514	\$514	\$514	\$514
Alarm bell with silence switch	Kit #	<u>KM003100</u>	<u>KM003100</u>	<u>KM003100</u>	<u>KM003100</u>	<u>KM003100</u>
	Price	\$696	\$696	\$696	\$696	\$696
30psi relief valve	Kit #	<u>KM002901</u>	<u>KM002901</u>	<u>KM002901</u>	<u>KM002911</u>	<u>KM002911</u>
	Price	no charge	no charge	no charge	no charge	no charge
50psi relief valve	Kit #	<u>KM002902</u>	<u>KM002902</u>	<u>KM002902</u>	<u>KM002912</u>	<u>KM002912</u>
	Price	no charge	no charge	no charge	no charge	no charge
60psi relief valve	Kit #	<u>KM002903</u>	<u>KM002903</u>	<u>KM002903</u>	<u>KM002913</u>	<u>KM002913</u>
	Price	no charge	no charge	no charge	no charge	no charge
125psi relief valve	Kit #	<u>KM002904</u>	<u>KM002922</u>	<u>KM002922</u>	<u>KM002914</u>	<u>KM002914</u>
	Price	no charge	no charge	no charge	no charge	no charge
150psi relief valve	Kit #	<u>KM002905</u>	<u>KM002905</u>	<u>KM002905</u>	<u>KM002915</u>	<u>KM002915</u>
	Price	no charge	no charge	no charge	no charge	no charge

### Accessories for Field Mounting

*Order kit number as separate line item*

		<b>399</b>	<b>500</b>	<b>600</b>	<b>750</b>	<b>850</b>
Low water cutoff	Kit #	<u>CA015603</u>	<u>CA015606</u>	<u>CA015606</u>	<u>CA015605</u>	<u>CA015605</u>
	Price	\$543	\$543	\$543	\$543	\$543
High/low gas pressure switches	Kit #	<u>CA005700</u>	<u>CA005101</u>	<u>CA005100</u>	<u>CA006700</u>	<u>CA006700</u>
	Price	\$543	\$543	\$543	\$543	\$543
Boiler pump	Kit #	<u>CA018403</u>	<u>CA018404</u>	<u>CA018405</u>	<u>CA018406</u>	<u>CA018406</u>
	Price	\$968	\$2,412	\$2,637	\$2,637	\$2,637
Propane conversion kit	Kit #	<u>CA006207</u>	<u>CA006207</u>	<u>CA006207</u>	<u>CA006207</u>	<u>CA006207</u>
	Price	\$26	\$26	\$26	\$26	\$26
Condensate neutralizer kit	Kit #	<u>A2123602</u>	<u>A2123602</u>	<u>A2123603</u>	<u>A2123603</u>	<u>A2123603</u>
	Price	\$264	\$264	\$664	\$664	\$664
Vari-Prime variable speed pump drive	Kit #	<u>CA013600</u>	<u>CA013600</u>	<u>CA013600</u>	<u>CA013600</u>	<u>CA013600</u>
	Price	\$952	\$952	\$952	\$952	\$952
Add'l auto high limit	Kit #	<u>CA005001</u>	<u>CA005001</u>	<u>CA005001</u>	<u>CA005001</u>	<u>CA005001</u>
	Price	\$121	\$121	\$121	\$121	\$121
BACnet gateway	Kit #	<u>CA010300</u>	<u>CA010300</u>	<u>CA010300</u>	<u>CA010300</u>	<u>CA010300</u>
	Price	\$3,015	\$3,015	\$3,015	\$3,015	\$3,015
LON gateway	Kit #	<u>CA010301</u>	<u>CA010301</u>	<u>CA010301</u>	<u>CA010301</u>	<u>CA010301</u>
	Price	\$3,015	\$3,015	\$3,015	\$3,015	\$3,015

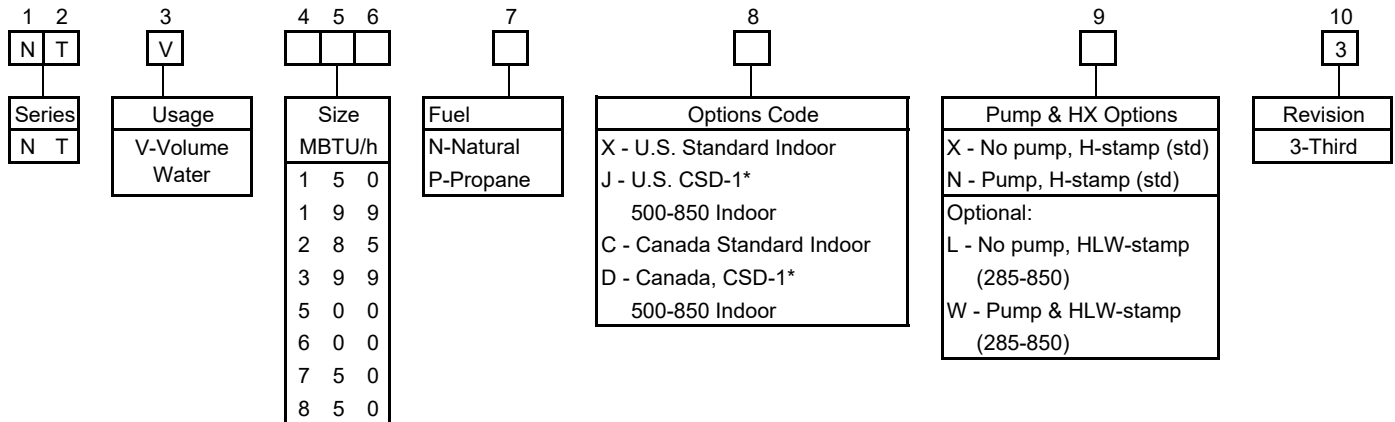
# NeoTherm NTV (150-850) Indoor Pricing - Effective December 6, 2021

## Commercial Modulating Condensing Water Heater

### Standard Features

- High condensing efficiency
- Modulation down to 20% of full fire (5:1 turndown)
- Sealed combustion chamber
- Pre-mix stainless steel burner
- Low NOx system exceeds the most stringent regulations for air quality - 10ppm NOx
- Horizontal or vertical direct vent
- Horizontal vent and air terminals
- Vent and air pipe lengths of up to 100 equivalent feet (each)
- Built-in condensate trap
- Vent temperature cutoff
- Direct spark ignition
- ASME 160psi working pressure heat exchanger
- ASME "H" stamp
- Opt. ASME "HLW" stamp
- Stainless steel heat exchanger with welded construction
- 125psi (862kPa) ASME rated pressure relief valve
- Temperature and pressure gauge
- Drain valve
- Water flow switch (399 to 850)
- Electronic PID modulating control
- Alarm output
- Large touch screen user interface and color display
- Optional pump (sized to model) included for field installation
- Accepts external (4-20mA or 0-10VDC) modulation signal
- Built-in cascade function for up to eight NeoTherms
- On/Off toggle switch
- Manual reset high limit
- Burner site glass
- Zero clearance to combustible surfaces
- 8-year limited warranty

### Model Nomenclature



### Pricing

#### No Pump

Model Number	List Price
NTV 150 (N,P) (X,C) X 3	\$9,398
NTV 199 (N,P) (X,C) X 3	\$11,916
NTV 285 (N,P) (X,C) (X,L) 3	\$15,300
NTV 399 (N,P) (X,C) (X,L) 3	\$19,158
NTV 500 (N,P) (X,C) (X,L) 3	\$23,712
NTV 600 (N,P) (X,C) (X,L) 3	\$26,488
NTV 750 (N,P) (X,C) (X,L) 3	\$29,612
NTV 850 (N,P) (X,C) (X,L) 3	\$31,951

#### No Pump - With CSD-1\*

Model Number	List Price
NTV 500 (N,P) (J,D) (X,L) 3	\$24,750
NTV 600 (N,P) (J,D) (X,L) 3	\$27,526
NTV 750 (N,P) (J,D) (X,L) 3	\$30,650
NTV 850 (N,P) (J,D) (X,L) 3	\$32,989

#### Pump Included

Model Number	List Price
NTV 150 (N,P) (X,C) N 3	\$10,104
NTV 199 (N,P) (X,C) N 3	\$12,623
NTV 285 (N,P) (X,C) (N,W) 3	\$16,233
NTV 399 (N,P) (X,C) (N,W) 3	\$21,350
NTV 500 (N,P) (X,C) (N,W) 3	\$25,904
NTV 600 (N,P) (X,C) (N,W) 3	\$28,493
NTV 750 (N,P) (X,C) (N,W) 3	\$31,617
NTV 850 (N,P) (X,C) (N,W) 3	\$33,956

#### Pump Included - With CSD-1\*

Model Number	List Price
NTV 500 (N,P) (J,D) (N,W) 3	\$26,942
NTV 600 (N,P) (J,D) (N,W) 3	\$29,531
NTV 750 (N,P) (J,D) (N,W) 3	\$32,655
NTV 850 (N,P) (J,D) (N,W) 3	\$34,994

List prices for U.S. units include a PVC vent terminal and intake air terminal, a "starter section" of CPVC vent pipe, and adapter for standard PVC pipe.

\*CSD-1 (model character 8 = J or D) includes low water cutoff and high/low gas pressure switches

## NeoTherm NTV (150-850) Indoor Pricing - Effective December 6, 2021

### Commercial Modulating Condensing Water Heater

#### Factory Mounted Options - Order kit number as separate line item

	150	199	285	399	500	600	750	850
<b>Low water cutoff</b>								
Kit #	N/A	N/A	N/A	N/A	<u>KM002503</u>	<u>KM002505</u>	<u>KM002506</u>	<u>KM002506</u>
Price					\$524	\$524	\$524	\$524
<b>Additional auto reset high limit</b>								
Kit #	<u>KM002701</u>	<u>KM002701</u>	<u>KM002701</u>	<u>KM002701</u>	<u>KM002701</u>	<u>KM002701</u>	<u>KM002701</u>	<u>KM002701</u>
Price	\$124	\$124	\$124	\$124	\$124	\$124	\$124	\$124
<b>High/low gas pressure switches</b>								
Kit #	N/A	N/A	N/A	N/A	<u>KM002801</u>	<u>KM002800</u>	<u>KM003300</u>	<u>KM003300</u>
Price					\$514	\$514	\$514	\$514
<b>Alarm bell w/ silence switch for ignition failure</b>								
Kit #	<u>KM003100</u>	<u>KM003100</u>	<u>KM003100</u>	<u>KM003100</u>	<u>KM003100</u>	<u>KM003100</u>	<u>KM003100</u>	<u>KM003100</u>
Price	\$696	\$696	\$696	\$696	\$696	\$696	\$696	\$696
<b>60 psi relief valve - No charge</b>								
Kit #	<u>KM002916</u>	<u>KM002916</u>	<u>KM002916</u>	<u>KM002916</u>	<u>KM002919</u>	<u>KM002919</u>	<u>KM002919</u>	<u>KM002919</u>
<b>75 psi relief valve - No charge</b>								
Kit #	<u>KM002917</u>	<u>KM002917</u>	<u>KM002917</u>	<u>KM002917</u>	<u>KM002920</u>	<u>KM002920</u>	<u>KM002920</u>	<u>KM002920</u>
<b>150 psi relief valve - No charge</b>								
Kit #	<u>KM002918</u>	<u>KM002918</u>	<u>KM002918</u>	<u>KM002918</u>	<u>KM002921</u>	<u>KM002921</u>	<u>KM002921</u>	<u>KM002921</u>

#### Accessories for Field Mounting - Order kit number as separate line item

	150	199	285	399	500	600	750	850
<b>Water flow switch</b>								
Kit #	<u>CA004805</u>	<u>CA004805</u>	<u>CA004804</u>	Standard	Standard	Standard	Standard	Standard
Price	\$261	\$261	\$261					
<b>Low water cutoff</b>								
Kit #	<u>CA004905</u>	<u>CA004905</u>	<u>CA004904</u>	<u>CA004904</u>	<u>CA004904</u>	<u>CA004907</u>	<u>CA004904</u>	<u>CA004904</u>
Price	\$543	\$543	\$543	\$543	\$543	\$543	\$543	\$543
<b>High/low gas pressure switches</b>								
Kit #	<u>CA005700</u>	<u>CA005700</u>	<u>CA005700</u>	<u>CA005700</u>	<u>CA005101</u>	<u>CA005100</u>	<u>CA006700</u>	<u>CA006700</u>
Price	\$543	\$543	\$543	\$543	\$543	\$543	\$543	\$543
<b>Heater pump</b>								
Kit #	<u>CA007000</u>	<u>CA007001</u>	<u>CA007002</u>	<u>CA007003</u>	<u>CA007003</u>	<u>CA007004</u>	<u>CA007004</u>	<u>CA007004</u>
Price	\$960	\$985	\$1,112	\$3,251	\$3,251	\$2,994	\$2,994	\$2,994
<b>Common vent kit (One kit required for each NeoTherm unit)</b>								
Kit #	<u>CA016401</u>	<u>CA016401</u>	<u>CA016402</u>	<u>CA016402</u>	<u>CA016402</u>	N/A	N/A	N/A
Price	\$1,184	\$1,184	\$1,212	\$1,212	\$1,212			
<b>Concentric vent terminal, 2"</b>								
Kit #	<u>239-44069-02</u>	<u>239-44069-02</u>	N/A	N/A	N/A	N/A	N/A	N/A
Price	\$133	\$133						
<b>Concentric vent terminal, 3"</b>								
Kit #	<u>239-44069-01</u>	<u>239-44069-01</u>	<u>239-44069-01</u>	N/A	N/A	N/A	N/A	N/A
Price	\$133	\$133	\$133					
<b>Flush-mount concentric vent terminal, 3"</b>								
Kit #	<u>CA010101</u>	<u>CA010101</u>	<u>CA010101</u>	N/A	N/A	N/A	N/A	N/A
Price	\$120	\$120	\$120					
<b>Flush-mount concentric vent terminal, 4"</b>								
Kit #	N/A	N/A	<u>CA010102</u>	<u>CA010102</u>	<u>CA010102</u>	<u>CA010102</u>	<u>CA010102</u>	<u>CA010102</u>
Price			\$120	\$120	\$120	\$120	\$120	\$120
<b>Propane conversion kit</b>								
Kit #	<u>CA006203</u>	<u>CA006204</u>	<u>CA006205</u>	<u>CA006207</u>	<u>CA006207</u>	<u>CA006207</u>	<u>CA006207</u>	<u>CA006207</u>
Price	\$64	\$64	\$64	\$26	\$26	\$26	\$26	\$26
<b>Condensate neutralizer kit</b>								
Kit #	<u>A2123601</u>	<u>A2123601</u>	<u>A2123602</u>	<u>A2123602</u>	<u>A2123602</u>	<u>A2123603</u>	<u>A2123603</u>	<u>A2123603</u>
Price	\$165	\$165	\$264	\$264	\$264	\$664	\$664	\$664
<b>Add'l auto high limit</b>				Kit #	<u>CA005001</u>			
(for all sizes)				Price	\$121			
<b>BACnet gateway</b>				Kit #	<u>CA010300</u>			
(for all sizes)				Price	\$3,015			
<b>LON gateway</b>				Kit #	<u>CA010301</u>			
(for all sizes)				Price	\$3,015			



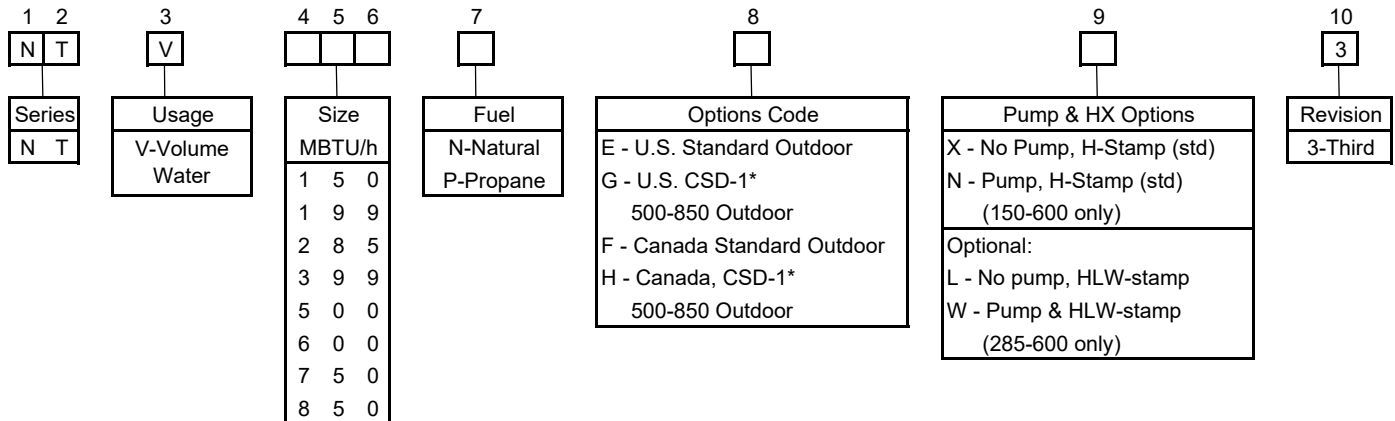
# NeoTherm NTV (150-850) Outdoor Pricing - Effective December 6, 2021

## Commercial Modulating Condensing Water Heater

### Standard Features

- High condensing efficiency
- Modulation down to 20% of full fire (5:1 turndown)
- Sealed combustion chamber
- Pre-mix stainless steel burner
- Low NOx system exceeds the most stringent regulations for air quality - 10ppm NOx
- Built-in condensate trap
- All necessary venting items are included
- ASME 160psi working pressure heat exchanger
- 8-year limited warranty
- ASME "H" stamp
- Opt. ASME "HLW" stamp
- Stainless steel heat exchanger with welded construction
- 125psi (862kPa) ASME rated pressure relief valve
- Temperature and pressure gauge
- Drain valve
- Water flow switch (399 to 850)
- Electronic PID modulating control
- Large touch screen user interface and color display
- Vent temperature cutoff
- Direct spark ignition
- Alarm output
- Optional pump (sized to model) included for field installation (150-750 only)
- Accepts external (4-20mA or 0-10VDC) modulation signal
- Built-in cascade function for up to eight NeoTherms
- On/Off toggle switch
- Manual reset high limit
- Burner site glass
- Zero clearance to combustible surfaces

### Model Nomenclature



### Pricing

#### No Pump

Model Number	List Price
NTV 150 (N,P) (E,F) X 3	\$9,869
NTV 199 (N,P) (E,F) X 3	\$12,513
NTV 285 (N,P) (E,F) (X,L) 3	\$16,066
NTV 399 (N,P) (E,F) (X,L) 3	\$20,078
NTV 500 (N,P) (E,F) (X,L) 3	\$24,897
NTV 600 (N,P) (E,F) (X,L) 3	\$27,808
NTV 750 (N,P) (E,F) (X,L) 3	\$30,971
NTV 850 (N,P) (E,F) (X,L) 3	\$33,548

#### No Pump - With CSD-1\*

Model Number	List Price
NTV 500 (N,P) (G,H) (X,L) 3	\$25,935
NTV 600 (N,P) (G,H) (X,L) 3	\$28,846
NTV 750 (N,P) (G,H) (X,L) 3	\$32,009
NTV 850 (N,P) (G,H) (X,L) 3	\$34,586

#### Pump Included

Model Number	List Price
NTV 150 (N,P) (E,F) N 3	\$10,645
NTV 199 (N,P) (E,F) N 3	\$13,288
NTV 285 (N,P) (E,F) (N,W) 3	\$17,068
NTV 399 (N,P) (E,F) (N,W) 3	\$22,341
NTV 500 (N,P) (E,F) (N,W) 3	\$27,160
NTV 600 (N,P) (E,F) (N,W) 3	\$29,884

#### Pump Included - With CSD-1\*

Model Number	List Price
NTV 500 (N,P) (G,H) (N,W) 3	\$28,198
NTV 600 (N,P) (G,H) (N,W) 3	\$30,922

List prices include a polypropylene vent terminal

\*CSD-1 (model character 8 = G or H) includes low water cutoff and high/low gas pressure switches



**NeoTherm NTV (150-850) Outdoor Pricing - Effective December 6, 2021**  
**Commercial Modulating Condensing Water Heater**

**Factory Mounted Options - Order kit number as separate line item**

	<b>150</b>	<b>199</b>	<b>285</b>	<b>399</b>	<b>500</b>	<b>600</b>	<b>750</b>	<b>850</b>
<b>Low water cutoff</b>								
Kit #	N/A	N/A	N/A	N/A	<u>KM002503</u>	<u>KM002505</u>	<u>KM002506</u>	<u>KM002506</u>
Price					\$524	\$524	\$524	\$524
<b>Additional auto reset high limit</b>								
Kit #	<u>KM002701</u>	<u>KM002701</u>	<u>KM002701</u>	<u>KM002701</u>	<u>KM002701</u>	<u>KM002701</u>	<u>KM002701</u>	<u>KM002701</u>
Price	\$124	\$124	\$124	\$124	\$124	\$124	\$124	\$124
<b>High/low gas pressure switches</b>								
Kit #	N/A	N/A	N/A	N/A	<u>KM002801</u>	<u>KM002800</u>	<u>KM003300</u>	<u>KM003300</u>
Price					\$514	\$514	\$514	\$514
<b>Alarm bell w/ silence switch for ignition failure</b>								
Kit #	<u>KM003100</u>	<u>KM003100</u>	<u>KM003100</u>	<u>KM003100</u>	<u>KM003100</u>	<u>KM003100</u>	<u>KM003100</u>	<u>KM003100</u>
Price	\$696	\$696	\$696	\$696	\$696	\$696	\$696	\$696
<b>60 psi relief valve - No charge</b>								
Kit #	<u>KM002916</u>	<u>KM002916</u>	<u>KM002916</u>	<u>KM002916</u>	<u>KM002919</u>	<u>KM002919</u>	<u>KM002919</u>	<u>KM002919</u>
<b>75 psi relief valve - No charge</b>								
Kit #	<u>KM002917</u>	<u>KM002917</u>	<u>KM002917</u>	<u>KM002917</u>	<u>KM002920</u>	<u>KM002920</u>	<u>KM002920</u>	<u>KM002920</u>
<b>150 psi relief valve - No charge</b>								
Kit #	<u>KM002918</u>	<u>KM002918</u>	<u>KM002918</u>	<u>KM002918</u>	<u>KM002921</u>	<u>KM002921</u>	<u>KM002921</u>	<u>KM002921</u>

**Accessories for Field Mounting - Order kit number as separate line item**

	<b>150</b>	<b>199</b>	<b>285</b>	<b>399</b>	<b>500</b>	<b>600</b>	<b>750</b>	<b>850</b>
<b>Water flow switch</b>								
Kit #	<u>CA015502</u>	<u>CA015502</u>	<u>CA015504</u>	Standard	Standard	Standard	Standard	Standard
Price	\$261	\$261	\$261					
<b>Low water cutoff</b>								
Kit #	<u>CA015602</u>	<u>CA015602</u>	<u>CA015604</u>	<u>CA015604</u>	<u>CA015604</u>	<u>CA015604</u>	<u>CA015604</u>	<u>CA015604</u>
Price	\$543	\$543	\$543	\$543	\$543	\$543	\$543	\$543
<b>High/low gas pressure switches</b>								
Kit #	<u>CA005700</u>	<u>CA005700</u>	<u>CA005700</u>	<u>CA005700</u>	<u>CA005101</u>	<u>CA005100</u>	<u>CA006700</u>	<u>CA006700</u>
Price	\$543	\$543	\$543	\$543	\$543	\$543	\$543	\$543
<b>Heater pump</b>								
Kit #	<u>CA018501</u>	<u>CA018502</u>	<u>CA018503</u>	<u>CA018506</u>	<u>CA018504</u>	<u>CA018505</u>	<u>CA018505</u>	<u>CA018505</u>
Price	\$1,031	\$1,054	\$1,183	\$3,321	\$3,321	\$2,891	\$2,891	\$2,891
<b>Propane conversion kit</b>								
Kit #	<u>CA006203</u>	<u>CA006204</u>	<u>CA006205</u>	<u>CA006207</u>	<u>CA006207</u>	<u>CA006207</u>	<u>CA006207</u>	<u>CA006207</u>
Price	\$64	\$64	\$64	\$26	\$26	\$26	\$26	\$26
<b>Condensate neutralizer kit</b>								
Kit #	<u>A2123601</u>	<u>A2123601</u>	<u>A2123602</u>	<u>A2123602</u>	<u>A2123602</u>	<u>A2123603</u>	<u>A2123603</u>	<u>A2123603</u>
Price	\$165	\$165	\$264	\$264	\$264	\$664	\$664	\$664
<b>Add'l auto high limit</b> (for all sizes)				Kit #	<u>CA005001</u>			
				Price	\$121			
<b>BACnet gateway</b> (for all sizes)				Kit #	<u>CA010300</u>			
				Price	\$3,015			
<b>LON gateway</b> (for all sizes)				Kit #	<u>CA010301</u>			
				Price	\$3,015			

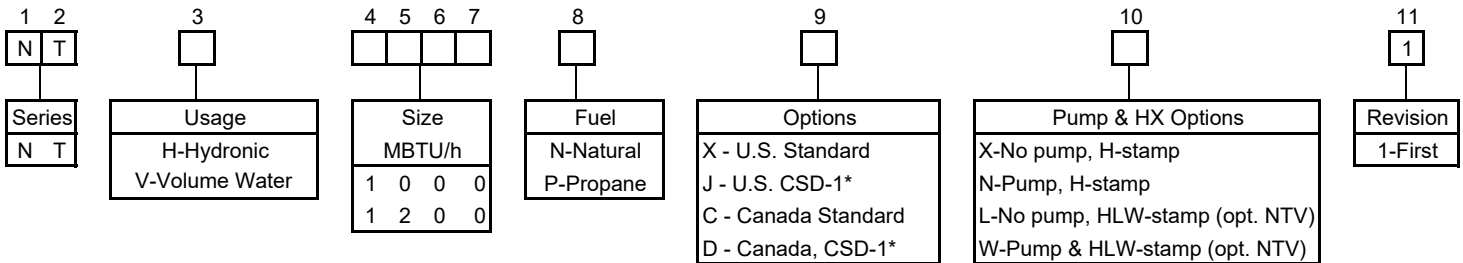
# NeoTherm LC (1000-1200) Pricing - Effective December 6, 2021

## Commercial Modulating Condensing Boilers and Water Heater

### Standard Features

- High condensing efficiency
- Modulation down to 10% of full fire (10:1 turndown)
- Sealed combustion chamber
- Pre-mix stainless steel burner
- Low NOx system exceeds the most stringent regulations for air quality - 10ppm NOx
- For indoor or outdoor placement
- Horizontal or vertical direct vent
- Vent and air pipe lengths of up to 100 equivalent feet (each)
- Electronic PID modulating control, large touchscreen & color display
- Accepts external (4-20mA or 0-10VDC) modulation signal
- Controller cascades up to three other NeoTherm LC units to lead/lag a total of four units together
- Multiple pump control for boiler pump, system pump, and indirect domestic water pump, each with delay
- Alarm output
- Direct spark ignition
- Sensor for domestic water tank
- Indirect water heater priority (boiler)
- Optional pump (sized to model) included for field installation
- Outdoor reset (boiler)
- Outdoor air temperature sensor (boiler)
- Manual reset high limit
- On/Off toggle switch
- Vent temperature cutoff
- Built-in condensate trap
- ASME 160psi working pressure heat exchanger
- Stainless steel heat exchanger with welded construction
- ASME "H" stamp
- ASME rated pressure relief valve  
Boiler: 75psi (517kPa)  
Volume Water: 125psi (862kPa)
- Water flow switch
- Temperature and pressure gauge
- Burner site glass
- 10-year limited warranty- boiler
- 8-year limited warranty- water heater

### Model Nomenclature



### Pricing

#### No Pump

Model Number	List Price
NTH 1000 N (X,C) X 1	\$45,635
NTH 1000 P (X,C) X 1	\$45,635
NTH 1200 N (X,C) X 1	\$56,098
NTH 1200 P (X,C) X 1	\$56,098
NTV 1000 N (X,C) (X,L) 1	\$48,319
NTV 1000 P (X,C) (X,L) 1	\$48,319
NTV 1200 N (X,C) (X,L) 1	\$58,783
NTV 1200 P (X,C) (X,L) 1	\$58,783

#### No Pump - With CSD-1\*

Model Number	List Price
NTH 1000 N (J,D) X 1	\$47,029
NTH 1000 P (J,D) X 1	\$47,029
NTH 1200 N (J,D) X 1	\$57,492
NTH 1200 P (J,D) X 1	\$57,492
NTV 1000 N (J,D) (X,L) 1	\$49,713
NTV 1000 P (J,D) (X,L) 1	\$49,713
NTV 1200 N (J,D) (X,L) 1	\$60,177
NTV 1200 P (J,D) (X,L) 1	\$60,177

#### Pump Included

Model Number	List Price
NTH 1000 N (X,C) N 1	\$47,705
NTH 1000 P (X,C) N 1	\$47,705
NTH 1200 N (X,C) N 1	\$58,168
NTH 1200 P (X,C) N 1	\$58,168
NTV 1000 N (X,C) (N,W) 1	\$50,721
NTV 1000 P (X,C) (N,W) 1	\$50,721
NTV 1200 N (X,C) (N,W) 1	\$61,185
NTV 1200 P (X,C) (N,W) 1	\$61,185

#### Pump Included - With CSD-1\*

Model Number	List Price
NTH 1000 N (J,D) N 1	\$49,099
NTH 1000 P (J,D) N 1	\$49,099
NTH 1200 N (J,D) N 1	\$59,562
NTH 1200 P (J,D) N 1	\$59,562
NTV 1000 N (J,D) (N,W) 1	\$52,115
NTV 1000 P (J,D) (N,W) 1	\$52,115
NTV 1200 N (J,D) (N,W) 1	\$62,579
NTV 1200 P (J,D) (N,W) 1	\$62,579

\*CSD-1, FM, GAP, IL (model character 9 = J or D) includes low water cutoff and high/low gas pressure switches

**NeoTherm LC (1000-1200) Pricing - Effective December 6, 2021**  
**Commercial Modulating Condensing Boilers and Water Heater**

**Factory Mounted Options**

*Order kit number as separate line item*

		<b>NTH1000</b>	<b>NTV1000</b>	<b>NTH1200</b>	<b>NTV1200</b>
Low water cutoff	Kit #	<u>KM004300</u>	<u>KM004302</u>	<u>KM004300</u>	<u>KM004302</u>
	Price	\$524	\$524	\$524	\$524
High/low gas pressure switches	Kit #	<u>KM004500</u>	<u>KM004500</u>	<u>KM004500</u>	<u>KM004500</u>
	Price	\$870	\$870	\$870	\$870
Additional auto reset high limit*	Kit #	<u>KM004400</u>	<u>KM004402</u>	<u>KM004400</u>	<u>KM004402</u>
	Price	\$393	\$393	\$393	\$393
Additional manual reset high limit*	Kit #	<u>KM004401</u>	<u>KM004403</u>	<u>KM004401</u>	<u>KM004403</u>
	Price	\$393	\$393	\$393	\$393
Alarm bell w/silence switch - ignition failure	Kit #	<u>KM004200</u>	<u>KM004200</u>	<u>KM004200</u>	<u>KM004200</u>
	Price	\$677	\$677	\$677	\$677
Air filter	Kit #	<u>KM005000</u>	<u>KM005000</u>	<u>KM005000</u>	<u>KM005000</u>
	Price	\$673	\$673	\$673	\$673
Vari-Prime variable speed pump frequency drive	Kit #	<u>KM004900</u>	<u>n/a</u>	<u>KM004900</u>	<u>n/a</u>
	Price	\$952		\$952	
BACnet gateway	Kit #	<u>KM005600</u>	<u>KM005600</u>	<u>KM005600</u>	<u>KM005600</u>
	Price	\$3,015	\$3,015	\$3,015	\$3,015
LON gateway	Kit #	<u>KM005601</u>	<u>KM005601</u>	<u>KM005601</u>	<u>KM005601</u>
	Price	\$3,015	\$3,015	\$3,015	\$3,015

\*Additional auto reset high limit and additional manual reset high limit cannot be ordered together.

**Alternate Pressure Relief Valves**

*Order kit number as separate line item*

		<b>NTH1000</b>	<b>NTV1000</b>	<b>NTH1200</b>	<b>NTV1200</b>
30 psi relief valve	Kit #	<u>KM004101</u>	<u>KM004106</u>	<u>KM004101</u>	<u>KM004106</u>
	Price	no charge	no charge	no charge	no charge
50 psi relief valve	Kit #	<u>KM004102</u>	<u>KM004107</u>	<u>KM004111</u>	<u>KM004112</u>
	Price	no charge	no charge	no charge	no charge
60 psi relief valve	Kit #	<u>KM004103</u>	<u>KM004108</u>	<u>KM004103</u>	<u>KM004108</u>
	Price	no charge	no charge	no charge	no charge
75 psi relief valve	Kit #	Standard	<u>KM004109</u>	Standard	<u>KM004109</u>
	Price		no charge		no charge
125 psi relief valve	Kit #	<u>KM004104</u>	Standard	<u>KM004104</u>	Standard
	Price	no charge		no charge	
150 psi relief valve	Kit #	<u>KM004105</u>	<u>KM004110</u>	<u>KM004105</u>	<u>KM004110</u>
	Price	no charge	no charge	no charge	no charge

**NeoTherm LC (1000-1200) Pricing - Effective December 6, 2021**  
**Commercial Modulating Condensing Boilers and Water Heater**

<b>Accessories for Field Mounting</b>					
		<b>NTH1000</b>	<b>NTV1000</b>	<b>NTH1200</b>	<b>NTV1200</b>
Low water cutoff	Kit #	<u>CA009400</u>	<u>CA009401</u>	<u>CA009400</u>	<u>CA009401</u>
	Price	\$393	\$393	\$393	\$393
High/low gas pressure switches	Kit #	<u>CA009300</u>	<u>CA009300</u>	<u>CA009300</u>	<u>CA009300</u>
	Price	\$744	\$744	\$744	\$744
Pump Kit	Kit #	<u>CA018300</u>	<u>CA018301</u>	<u>CA018300</u>	<u>CA018301</u>
	Price	\$3,065	\$3,537	\$3,065	\$3,537
Envirocon outdoor sensor for single boiler installation	Kit #	<u>CA013700</u>	<u>CA013700</u>	<u>CA013700</u>	<u>CA013700</u>
	Price	\$510	\$510	\$510	\$510
Air filter	Kit #	<u>CA009800</u>	<u>CA009800</u>	<u>CA009800</u>	<u>CA009800</u>
	Price	\$547	\$547	\$547	\$547
Conversion kit, nat to LP	Kit #	<u>CA008600</u>	<u>CA008600</u>	<u>CA008600</u>	<u>CA008600</u>
	Price	\$26	\$26	\$26	\$26
Additional auto reset high limit*	Kit #	<u>CA010000</u>	<u>CA010002</u>	<u>CA010000</u>	<u>CA010002</u>
	Price	\$381	\$381	\$381	\$381
Additional manual reset high limit*	Kit #	<u>CA010001</u>	<u>CA010003</u>	<u>CA010001</u>	<u>CA010003</u>
	Price	\$381	\$381	\$381	\$381
Vari-Prime variable speed pump frequency drive	Kit #	<u>CA009900</u>	n/a	<u>CA009900</u>	n/a
	Price	\$952		\$952	
BACnet gateway	Kit #	<u>CA010300</u>	<u>CA010300</u>	<u>CA010300</u>	<u>CA010300</u>
	Price	\$3,015	\$3,015	\$3,015	\$3,015
LON gateway	Kit #	<u>CA010301</u>	<u>CA010301</u>	<u>CA010301</u>	<u>CA010301</u>
	Price	\$3,015	\$3,015	\$3,015	\$3,015
Neutralizer Kit	Kit #	<u>A2123603</u>	<u>A2123603</u>	<u>A2123603</u>	<u>A2123603</u>
	Price	\$664	\$664	\$664	\$664
Neutralizer Kit with Pump	Kit #	<u>A2123604</u>	<u>A2123604</u>	<u>A2123604</u>	<u>A2123604</u>
	Price	\$2,268	\$2,268	\$2,268	\$2,268

\*Additional auto reset high limit and additional manual reset high limit cannot be ordered together.

<b>Vent Accessories</b>					
		<b>NTH1000</b>	<b>NTV1000</b>	<b>NTH1200</b>	<b>NTV1200</b>
Horizontal/vertical vent terminal for PVC/CPVC	Kit #	<u>CA008300</u>	<u>CA008300</u>	<u>CA008300</u>	<u>CA008300</u>
	Price	\$446	\$446	\$446	\$446
Horizontal vent terminal for SSTL/PP	Kit #	<u>D2004500</u>	<u>D2004500</u>	<u>D2004500</u>	<u>D2004500</u>
	Price	\$625	\$625	\$625	\$625
Horizontal air terminal for PVC/CPVC	Kit #	<u>CA008100</u>	<u>CA008100</u>	<u>CA008100</u>	<u>CA008100</u>
	Price	\$422	\$422	\$422	\$422
Horizontal air terminal for SSTL/PP	Kit #	<u>CA008200</u>	<u>CA008200</u>	<u>CA008200</u>	<u>CA008200</u>
	Price	\$343	\$343	\$343	\$343
Vertical air terminal for PVC/CPVC	Kit #	<u>CA008400</u>	<u>CA008400</u>	<u>CA008400</u>	<u>CA008400</u>
	Price	\$703	\$703	\$703	\$703
Screen kit for SSTL/PP vertical air or vent pipe	Kit #	<u>CA008500</u>	<u>CA008500</u>	<u>CA008500</u>	<u>CA008500</u>
	Price	\$44	\$44	\$44	\$44
Outdoor vent terminal	Kit #	<u>CA008900</u>	<u>CA008900</u>	<u>CA008900</u>	<u>CA008900</u>
	Price	\$1,197	\$1,197	\$1,197	\$1,197
Outdoor air terminal	Kit #	<u>CA008700</u>	<u>CA008700</u>	<u>CA008700</u>	<u>CA008700</u>
	Price	\$222	\$222	\$222	\$222

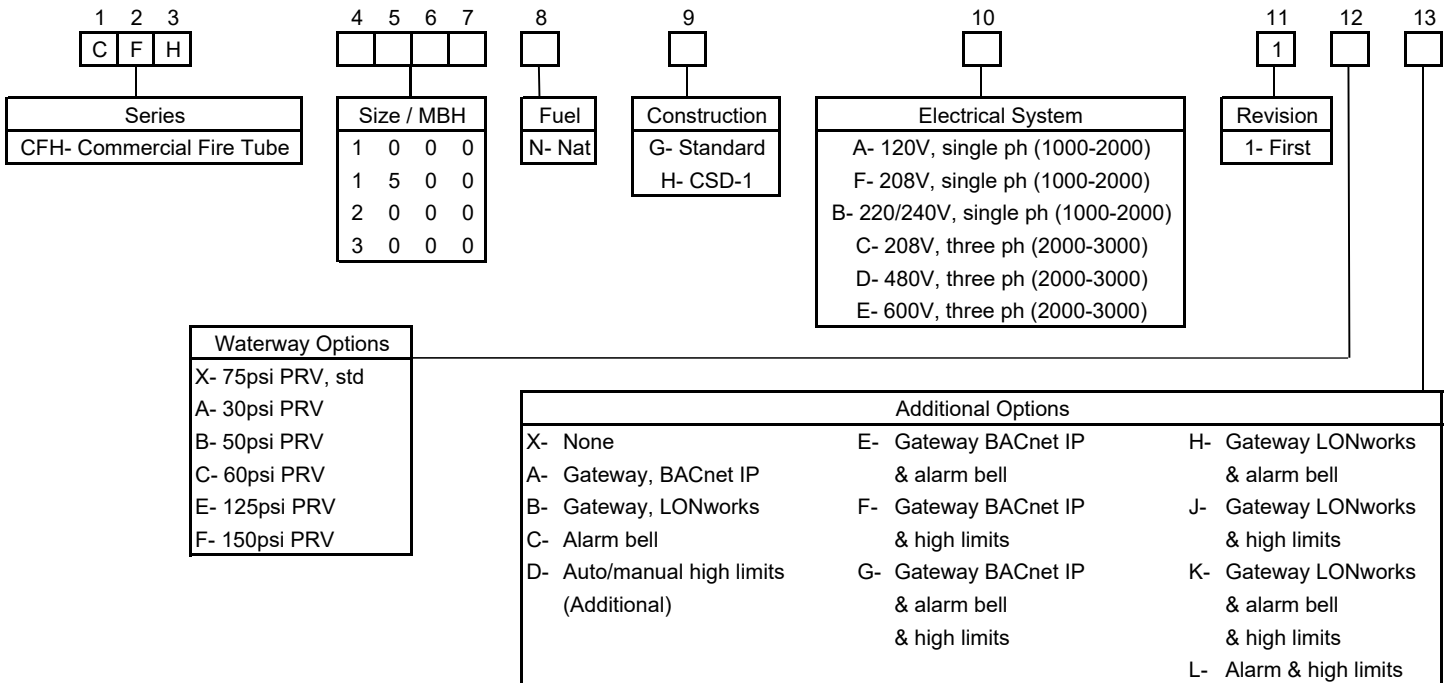
# MagnaTherm FT Pricing - Effective December 6, 2021

## Commercial Fire Tube Condensing 20:1 Boiler with Laars Linc Control

### Standard Features

- ASME "H" stamp
- 160 psi maximum working pressure
- Certified for Category II and Category IV vent systems
- Indoor / outdoor
- Low NOx system exceeds the most stringent regulations for air quality
- High condensing efficiency
- 20:1 modulation turndown
- Sophisticated gas/air valve allows for constant control of modulation
- Tru Trac real-time O<sub>2</sub> sensing maintains efficiency throughout the modulation range
- Stainless steel vertical firetube heat exchanger with welded construction
- Sealed combustion chamber
- Pre-mix stainless steel burner
- Electronic PID modulating control with large touchscreen and color display
- Multiple, independent heat demands
- VARI-PRIME boiler pump control via user-selectable fixed boiler temperature rise
- Wired and programmed to control boiler isolation valves
- Controller cascades with up to eight MagnaTherm FT boilers
- Accepts 4-20ma or 0-10VDC external modulation or external set point control
- Modbus RTU & BACnet MSTP on board
- Multiple pump control for boiler pump, system pump, & indirect DHW water pump, each with delay
- Indirect DHW priority
- Sensor for indirect DHW tank
- Outdoor reset with sensor
- Horizontal or vertical direct vent
- Vent and air pipe lengths of up to 100 equivalent feet (each)
- Vent temperature cutoff
- Normally open alarm contact
- Air filter
- Built-in condensate trap
- Temperature & pressure gauge
- Low water cutoff
- Water flow switch
- 75 psi (517kPa) ASME rated pressure relief valve
- Burner site glass
- Heat exchanger warranty: 10-Year limited non-prorated 25-yr limited thermal shock
- 1-Year limited parts warranty

### Model Nomenclature



### List Pricing

Standard	List Price
CFH1000 N G (A,B,F) 1 X X	\$53,827
CFH1500 N G (A,B,F) 1 X X	\$65,996
CFH2000 N G (A,B,C,D,E,F) 1 X X	\$75,600
CFH3000 N G (C,D,E) 1 X X	\$108,186

CSD-1	List Price
CFH1000 N H (A,B,F) 1 X X	\$54,232
CFH1500 N H (A,B,F) 1 X X	\$66,401
CFH2000 N H (A,B,C,D,E,F) 1 X X	\$76,005
CFH3000 N H (C,D,E) 1 X X	\$108,591

**MagnaTherm FT Pricing - Effective December 6, 2021**  
**Commercial Fire Tube Condensing 20:1 Boiler with Laars Linc Control**

**List Pricing - Optional Configurations**

**Waterway Options - 12th character code**

*Add amount shown to list price*

	1000	1500	2000	3000
X - std MGH	n/c	n/c	n/c	n/c
A, B, C, E, F - Alternate PRV's	n/c	n/c	n/c	n/c

**Additional Options - 13th character code**

*Add amount shown to list price*

	1000	1500	2000	3000
X- None	n/c	n/c	n/c	n/c
A- Gateway, BACnet IP & Modbus TCP/IP	\$2,953	\$2,953	\$2,953	\$2,953
B- Gateway, LonWorks	\$2,953	\$2,953	\$2,953	\$2,953
C- Alarm bell	\$542	\$542	\$542	\$542
D- Additional auto & manual reset high limits	\$801	\$801	\$801	\$801
E- Gateway BACnet & alarm bell	\$3,496	\$3,496	\$3,496	\$3,496
F- Gateway BACnet & high limits	\$3,754	\$3,754	\$3,754	\$3,754
G- Gateway BACnet & alarm & high limits	\$4,296	\$4,296	\$4,296	\$4,296
H- Gateway LonWorks & alarm bell	\$3,496	\$3,496	\$3,496	\$3,496
J- Gateway LonWorks & high limits	\$3,754	\$3,754	\$3,754	\$3,754
K- Gateway LonWorks & alarm & high limits	\$4,296	\$4,296	\$4,296	\$4,296
L- Alarm & high limits	\$1,343	\$1,343	\$1,343	\$1,343

**Accessories for Field Mounting**

	Part Number	List Price
Motorized isolation valve	CA017300	\$2,999
Gateway for BACnet IP and Modbus TCP/IP	CA010316	\$3,015
Gateway for LonWorks	CA010317	\$3,015
Condensate neutralizer	A2123603	\$664
Condensate neutralizer with pump	A2123604	\$2,268

**Vent / Air Accessories for MagnaTherms Placed Indoors**

Vent/Exhaust	1000		1500		2000		3000	
	Kit#	List Price	Kit#	List Price	Kit#	List Price	Kit#	List Price
Horiz vent terminal for SSTL	D2012004	\$555	D2012001	\$635	D2012001	\$635	D2012002	\$726
Screen kit for horiz CPVC vent	CA012104	\$325	CA012101	\$395	CA012101	\$395	CA012102	\$585
Screen for vertical SSTL vent	CA011904	\$80	CA011901	\$86	CA011901	\$86	CA011902	\$105
Screen for vertical CPVC vent	CA012504	\$278	CA012501	\$345	CA012501	\$345	CA012502	\$530

Ducted Air	1000		1500		2000		3000	
	Kit#	List Price	Kit#	List Price	Kit#	List Price	Kit#	List Price
Screen for horiz PVC air pipe	CA012004	\$164	CA012001	\$240	CA012001	\$240	CA012002	\$305
Screen for horiz polyprop air pipe	CA012200	\$255	CA012201	\$255	CA012201	\$255	CA012202	\$287
Screen for horiz galv air pipe	D2012204	\$55	D2012201	\$55	D2012201	\$55	D2012202	\$64
Screen for vert polyprop air pipe	CA012604	\$473	CA012601	\$348	CA012601	\$348	CA012602	\$447
Screen for vert galv air pipe	D2012204	\$55	D2012201	\$55	D2012201	\$55	D2012202	\$64

**Vent / Air Accessories for MagnaTherms Placed Outdoors**

Vent / Air Accessories	1000		1500		2000		3000	
	Kit#	List Price	Kit#	List Price	Kit#	List Price	Kit#	List Price
Vent terminal, outdoor	CA017201	\$1,480	CA017202	\$1,960	CA017202	\$1,960	CA017203	\$2,850
Screen kit for air, outdoor	CA011904	\$80	CA011901	\$86	CA011901	\$86	CA011901	\$86

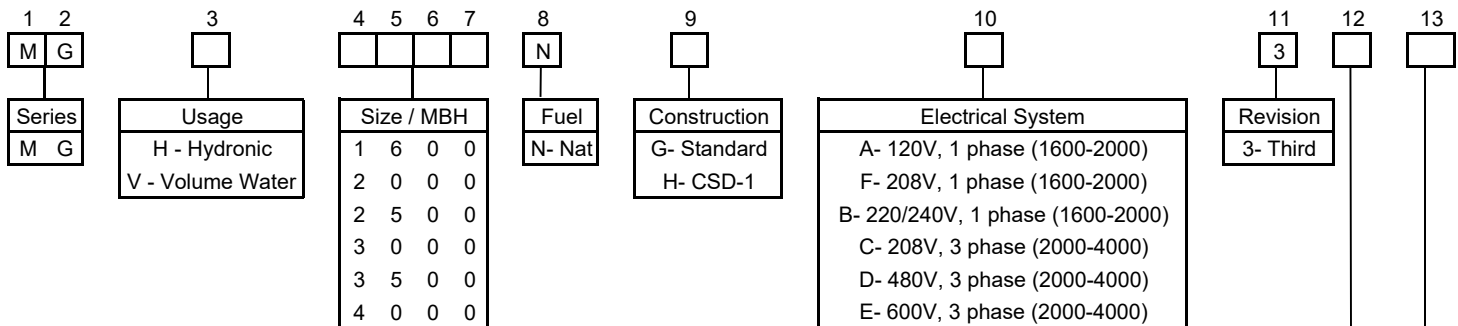
# MagnaTherm HTD Pricing - Effective December 6, 2021

## High Efficiency Condensing 20:1 Boiler / Water Heater MGH & MGV with Laars Linc Control

### Standard Features

- ASME "H" stamp (MGH)
- ASME "HLW" stamp (MGV)
- 160 psi maximum working pressure
- Certified for Category II and Category IV vent systems
- Indoor / outdoor
- Low NOx system exceeds the most stringent regulations for air quality - 9ppm NOx
- High condensing efficiency
- 20:1 modulation turndown
- Sophisticated gas/air valve allows for constant control of modulation
- Tru Trac real-time O<sub>2</sub> sensing maintains efficiency throughout the modulation range
- Sealed combustion chamber
- Stainless steel heat exchanger with welded construction
- Pre-mix stainless steel burner
- Electronic PID modulating control with large touchscreen and color display
- Multiple, independent heat demands
- VARI-PRIME boiler pump control with fixed delta T control for variable flow through boiler (MGH)
- Control cascades with up to eight MagnaTherm units
- Accepts 4-20ma or 0-10VDC external modulation or external set point control
- Modbus RTU & BACnet MSTP on board
- Multiple pump control, each with delay
- Indirect DHW priority (MGH)
- Domestic water sensor
- Outdoor reset with sensor (MGH)
- Horizontal or vertical direct vent
- Vent and air pipe lengths of up to 100 equivalent feet (each)
- Knock-down feature: Removable top section for easy handling and installation
- Vent temperature cutoff
- Normally open alarm contact
- Air filter
- Built-in condensate trap
- Water flow switch
- Temperature & pressure gauge
- Low water cutoff
- 75 psi (517kPa) ASME rated pressure relief valve (MGH)
- 125 psi (861kPa) ASME rated pressure relief valve (MGV)
- Groove lock fittings (optional flange adapter)
- Burner site glass
- 10-year limited warranty

### Model Nomenclature



#### Waterway Options

X- std MGH, 75psi PRV, H-Stamp W- std MGV, 125psi PRV, HLW-Stamp A- 30psi PRV B- 50psi PRV C- 60psi PRV D- MGV 75psi PRV E- MGH 125psi PRV F- 150psi PRV G- Flange kit & 30psi PRV H- Flange kit & 50psi PRV J- Flange kit & 60psi PRV K- Flange kit & 75psi PRV L- Flange kit & 125psi PRV M- Flange kit & 150psi PRV	N- MGV w/ H-Stamp, 30psi PRV P- MGV w/ H-Stamp, 50psi PRV R- MGV w/ H-Stamp, 60psi PRV S- MGV w/ H-Stamp, 75psi PRV T- MGV w/ H-Stamp, 125psi PRV U- MGV w/ H-Stamp, 150psi PRV 2- Flange kit, MGV w/ H-Stamp, 30psi PRV 3- Flange kit, MGV w/ H-Stamp, 50psi PRV 4- Flange kit, MGV w/ H-Stamp, 60psi PRV 5- Flange kit, MGV w/ H-Stamp, 75psi PRV 6- Flange kit, MGV w/ H-Stamp, 125psi PRV 7- Flange kit, MGV w/ H-Stamp, 150psi PRV
---	--

#### Additional Options

X- None A- Gateway, BACnet* B- Gateway, LonWorks C- Alarm bell D- Auto & manual high limits - additional E- Gateway BACnet* & alarm bell F- Gateway BACnet* & high limits G- Gateway BACnet* & alarm bell & high limits	H- Gateway LonWorks & alarm bell J- Gateway LonWorks & high limits K- Gateway LonWorks & alarm bell & high limits L- Alarm & high limits  *BACnet gateway is used for BACnet IP and Modbus TCP/IP
--	--



# MagnaTherm HTD Pricing - Effective December 6, 2021

## High Efficiency Condensing 20:1 Boiler / Water Heater MGH & MGV with Laars Linc Control

### List Pricing

#### Boiler, Standard

Model	List Price
MGH1600 N G (A,B,F) 3 X X	\$66,105
MGH2000 N G (A,B,C,D,E,F) 3 X X	\$75,600
MGH2500 N G (C,D,E) 3 X X	\$94,975
MGH3000 N G (C,D,E) 3 X X	\$108,186
MGH3500 N G (C,D,E) 3 X X	\$123,790
MGH4000 N G (C,D,E) 3 X X	\$138,136

#### Boiler, CSD-1

Model	List Price
MGH1600 N H (A,B,F) 3 X X	\$66,510
MGH2000 N H (A,B,C,D,E,F) 3 X X	\$76,005
MGH2500 N H (C,D,E) 3 X X	\$95,380
MGH3000 N H (C,D,E) 3 X X	\$108,591
MGH3500 N H (C,D,E) 3 X X	\$124,195
MGH4000 N H (C,D,E) 3 X X	\$138,541

#### Water Heater, Standard

Model	List Price
MGV1600 N G (A,B,F) 3 W X	\$66,105
MGV2000 N G (A,B,C,D,E,F) 3 W X	\$75,600
MGV2500 N G (C,D,E) 3 W X	\$94,975
MGV3000 N G (C,D,E) 3 W X	\$108,186
MGV3500 N G (C,D,E) 3 W X	\$123,790
MGV4000 N G (C,D,E) 3 W X	\$138,136

#### Water Heater, CSD-1

Model	List Price
MGV1600 N H (A,B,F) 3 W X	\$66,510
MGV2000 N H (A,B,C,D,E,F) 3 W X	\$76,005
MGV2500 N H (C,D,E) 3 W X	\$95,380
MGV3000 N H (C,D,E) 3 W X	\$108,591
MGV3500 N H (C,D,E) 3 W X	\$124,195
MGV4000 N H (C,D,E) 3 W X	\$138,541

### List Pricing - Optional Configurations

#### Waterway Options - 12th character code

*Add amount shown to list price*

	1600	2000	2500	3000	3500	4000
X - std MGH	n/c	n/c	n/c	n/c	n/c	n/c
W - std MGV	n/c	n/c	n/c	n/c	n/c	n/c
A, B, C, D, E, F - Alternate PRV's	n/c	n/c	n/c	n/c	n/c	n/c
G, H, J, K, L, M - Flange kits	\$664	\$664	\$664	\$664	\$1,795	\$1,795
N, P, R, S, T, U - MGV H-Stamp	n/c	n/c	n/c	n/c	n/c	n/c
2, 3, 4, 5, 6, 7 - Flange kits, MGV H-Stamp	\$664	\$664	\$664	\$664	\$1,795	\$1,795

#### Additional Options - 13th character code

*Add amount shown to list price*

	1600	2000	2500	3000	3500	4000
X- None	n/c	n/c	n/c	n/c	n/c	n/c
A- Gateway, BACnet IP & Modbus TCP/IP	\$2,953	\$2,953	\$2,953	\$2,953	\$2,953	\$2,953
B- Gateway, LonWorks	\$2,953	\$2,953	\$2,953	\$2,953	\$2,953	\$2,953
C- Alarm bell	\$542	\$542	\$542	\$542	\$542	\$542
D- Additional auto & manual reset high limits	\$801	\$801	\$801	\$801	\$801	\$801
E- Gateway BACnet & alarm bell	\$3,496	\$3,496	\$3,496	\$3,496	\$3,496	\$3,496
F- Gateway BACnet & high limits	\$3,754	\$3,754	\$3,754	\$3,754	\$3,754	\$3,754
G- Gateway BACnet & alarm & high limits	\$4,296	\$4,296	\$4,296	\$4,296	\$4,296	\$4,296
H- Gateway LonWorks & alarm bell	\$3,496	\$3,496	\$3,496	\$3,496	\$3,496	\$3,496
J- Gateway LonWorks & high limits	\$3,754	\$3,754	\$3,754	\$3,754	\$3,754	\$3,754
K- Gateway LonWorks & alarm & high limits	\$4,296	\$4,296	\$4,296	\$4,296	\$4,296	\$4,296
L- Alarm & high limits	\$1,343	\$1,343	\$1,343	\$1,343	\$1,343	\$1,343

## MagnaTherm HTD Pricing - Effective December 6, 2021

### High Efficiency Condensing 20:1 Boiler / Water Heater MGH & MGV with Laars Linc Control

#### Accessories for Field Mounting

		1600	2000	2500	3000	3500	4000
Gateway for BACnet IP and Modbus TCP/IP	Kit #	<u>CA010308</u>	<u>CA010308</u>	<u>CA010308</u>	<u>CA010308</u>	<u>CA010308</u>	<u>CA010308</u>
	Price	\$3,015	\$3,015	\$3,015	\$3,015	\$3,015	\$3,015
Gateway for LonWorks	Kit #	<u>CA010309</u>	<u>CA010309</u>	<u>CA010309</u>	<u>CA010309</u>	<u>CA010309</u>	<u>CA010309</u>
	Price	\$3,015	\$3,015	\$3,015	\$3,015	\$3,015	\$3,015
Condensate neutralizer	Kit #	<u>A2123603</u>	<u>A2123603</u>	<u>A2123603</u>	<u>A2123603</u>	<u>A2123603</u>	<u>A2123603</u>
	Price	\$664	\$664	\$664	\$664	\$664	\$664
Condensate neutralizer with pump	Kit #	<u>A2123604</u>	<u>A2123604</u>	<u>A2123604</u>	<u>A2123604</u>	<u>A2123604</u>	<u>A2123604</u>
	Price	\$2,268	\$2,268	\$2,268	\$2,268	\$2,268	\$2,268

#### Vent / Air Accessories for MagnaTherms Placed Indoors

Vent/Exhaust		1600	2000	2500	3000	3500	4000
Horiz vent terminal for SSTL	Kit #	<u>D2012004</u>	<u>D2012001</u>	<u>D2012001</u>	<u>D2012002</u>	<u>D2012002</u>	<u>D2012003</u>
	Price	\$555	\$635	\$635	\$726	\$726	\$930
Screen kit for horiz CPVC vent	Kit #	<u>CA012104</u>	<u>CA012101</u>	<u>CA012101</u>	<u>CA012102</u>	<u>CA012102</u>	<u>CA012103</u>
	Price	\$325	\$395	\$395	\$585	\$585	\$585
Screen for horiz polypropylene vent	Kit #	<u>CA012304</u>	<u>CA012301</u>	<u>CA012301</u>	<u>CA012302</u>	<u>CA012302</u>	<u>CA012303</u>
	Price	\$465	\$355	\$355	\$445	\$445	\$815
Screen for vertical SSTL vent	Kit #	<u>CA011904</u>	<u>D2012301</u>	<u>D2012301</u>	<u>D2012302</u>	<u>D2012302</u>	<u>D2012303</u>
	Price	\$80	\$55	\$55	\$64	\$64	\$75
Screen for vertical CPVC vent	Kit #	<u>CA012504</u>	<u>CA012501</u>	<u>CA012501</u>	<u>CA012502</u>	<u>CA012502</u>	<u>CA012503</u>
	Price	\$278	\$345	\$345	\$530	\$530	\$530
Screen for vertical polypropylene vent	Kit #	<u>CA012704</u>	<u>CA012701</u>	<u>CA012701</u>	<u>CA012702</u>	<u>CA012702</u>	<u>CA012703</u>
	Price	\$165	\$188	\$188	\$203	\$203	\$267

#### Ducted Air

Adapter/screen kit for PVC air pipe	Kit #	<u>CA012004</u>	<u>CA012001</u>	<u>CA012001</u>	<u>CA012002</u>	<u>CA012002</u>	<u>CA012003</u>
	Price	\$164	\$240	\$240	\$305	\$305	\$305
Screen for horiz polyprop air pipe	Kit #	<u>CA012200</u>	<u>CA012201</u>	<u>CA012201</u>	<u>CA012202</u>	<u>CA012202</u>	<u>CA012203</u>
	Price	\$255	\$255	\$255	\$287	\$287	\$530
Screen for horiz or vert galv air pipe	Kit #	<u>D2012204</u>	<u>D2012201</u>	<u>D2012201</u>	<u>D2012202</u>	<u>D2012202</u>	<u>D2012203</u>
	Price	\$55	\$55	\$55	\$64	\$64	\$75
Screen for vert polyprop air pipe	Kit #	<u>CA012604</u>	<u>CA012601</u>	<u>CA012601</u>	<u>CA012602</u>	<u>CA012602</u>	<u>CA012603</u>
	Price	\$473	\$348	\$348	\$447	\$447	\$821

#### Vent / Air Accessories for MagnaTherms Placed Outdoors

		1600	2000	2500	3000	3500	4000
Vent terminal, outdoor	Kit #	<u>CA017201</u>	<u>CA017202</u>	<u>CA017202</u>	<u>CA017203</u>	<u>CA017203</u>	<u>CA017204</u>
	Price	\$1,480	\$1,960	\$1,960	\$2,850	\$2,850	\$3,190
Screen kit for air, outdoor	Kit #	<u>CA011904</u>	<u>CA011901</u>	<u>CA011901</u>	<u>CA011902</u>	<u>CA011902</u>	<u>CA011903</u>
	Price	\$80	\$86	\$86	\$105	\$105	\$120

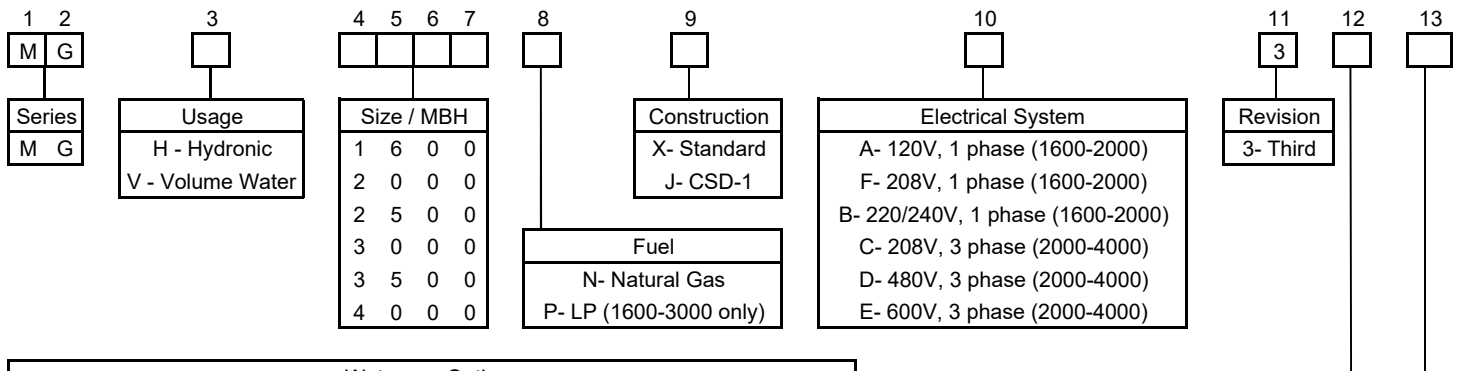
# MagnaTherm Pricing - Effective December 6, 2021

## High Efficiency Condensing 5:1 Boiler / Water Heater MGH & MGV with Laars Linc Control

### Standard Features

- ASME "H" stamp (MGH)
- ASME "HLW" stamp (MGV)
- 160 psi maximum working pressure
- Indoor / outdoor
- Low NOx system exceeds the most stringent regulations for air quality - 9ppm NOx
- High condensing efficiency
- 5:1 modulation turndown
- Sophisticated gas/air valve allows for constant control of modulation
- Sealed combustion chamber
- Pre-mix stainless steel burner
- Stainless steel heat exchanger with welded construction
- Electronic PID modulating control with large touchscreen and color display
- Multiple, independent heat demands
- VARI-PRIME boiler pump control with fixed delta T control for variable flow through boiler (MGH)
- Control cascades with up to eight MagnaTherm units
- Accepts 4-20ma or 0-10VDC external modulation or external set point control
- Modbus RTU & BACnet MSTP on board
- Multiple pump control, each with delay
- Indirect DHW priority (MGH)
- Domestic water sensor
- Outdoor reset with sensor (MGH)
- Horizontal or vertical direct vent
- Vent and air pipe lengths of up to 100 equivalent feet (each)
- Knock-down feature: Removable top section for easy handling and installation
- Vent temperature cutoff
- Normally open alarm contact
- Air filter
- Built-in condensate trap
- Water flow switch
- Temperature & pressure gauge
- Low water cutoff
- 75 psi (517kPa) ASME rated pressure relief valve (MGH)
- 125 psi (861kPa) ASME rated pressure relief valve (MGV)
- Groove lock fittings (optional flange adapter)
- Burner site glass
- 10-year limited warranty

### Model Nomenclature



#### Waterway Options

X- std MGH, 75psi PRV, H-Stamp W- std MGV, 125psi PRV, HLW-Stamp A- 30psi PRV B- 50psi PRV C- 60psi PRV D- MGV 75psi PRV E- MGH 125psi PRV F- 150psi PRV G- Flange kit & 30psi PRV H- Flange kit & 50psi PRV J- Flange kit & 60psi PRV K- Flange kit & 75psi PRV L- Flange kit & 125psi PRV M- Flange kit & 150psi PRV	N- MGV w/ H-Stamp, 30psi PRV P- MGV w/ H-Stamp, 50psi PRV R- MGV w/ H-Stamp, 60psi PRV S- MGV w/ H-Stamp, 75psi PRV T- MGV w/ H-Stamp, 125psi PRV U- MGV w/ H-Stamp, 150psi PRV 2- Flange kit, MGV w/ H-Stamp, 30psi PRV 3- Flange kit, MGV w/ H-Stamp, 50psi PRV 4- Flange kit, MGV w/ H-Stamp, 60psi PRV 5- Flange kit, MGV w/ H-Stamp, 75psi PRV 6- Flange kit, MGV w/ H-Stamp, 125psi PRV 7- Flange kit, MGV w/ H-Stamp, 150psi PRV
---	--

#### Additional Options

X- None A- Gateway, BACnet* B- Gateway, LonWorks C- Alarm bell D- Auto & manual high limits - additional E- Gateway BACnet* & alarm bell F- Gateway BACnet* & high limits G- Gateway BACnet* & alarm bell & high limits	H- Gateway LonWorks & alarm bell J- Gateway LonWorks & high limits K- Gateway LonWorks & alarm bell & high limits L- Alarm & high limits *BACnet gateway is used for BACnet IP and Modbus TCP/IP
--	--

## MagnaTherm Pricing - Effective December 6, 2021

### High Efficiency Condensing 5:1 Boiler / Water Heater MGH & MGV with Laars Linc Control

#### List Pricing

#### Boiler, Standard

Model	List Price
MGH 1600 (N,P) X (A,B,F) 3XX	\$65,089
MGH 2000 (N,P) X (A,B,C,D,E,F) 3XX	\$72,625
MGH 2500 (N,P) X (C,D,E) 3XX	\$86,389
MGH 3000 (N,P) X (C,D,E) 3XX	\$97,052
MGH 3500 N X (C,D,E) 3XX	\$114,056
MGH 4000 N X (C,D,E) 3XX	\$121,556

#### Boiler, CSD-1

Model	List Price
MGH 1600 (N,P) J (A,B,F) 3XX	\$65,494
MGH 2000 (N,P) J (A,B,C,D,E,F) 3XX	\$73,030
MGH 2500 (N,P) J (C,D,E) 3XX	\$86,794
MGH 3000 (N,P) J (C,D,E) 3XX	\$97,457
MGH 3500 N J (C,D,E) 3XX	\$114,461
MGH 4000 N J (C,D,E) 3XX	\$121,961

#### Water Heater, Standard

Model	List Price
MGV 1600 (N,P) X (A,B,F) 3WX	\$65,089
MGV 2000 (N,P) X (A,B,C,D,E,F) 3WX	\$72,625
MGV 2500 (N,P) X (C,D,E) 3WX	\$86,389
MGV 3000 (N,P) X (C,D,E) 3WX	\$97,052
MGV 3500 N X (C,D,E) 3WX	\$114,056
MGV 4000 N X (C,D,E) 3WX	\$121,556

#### Water Heater, CSD-1

Model	List Price
MGV 1600 (N,P) J (A,B,F) 3WX	\$65,494
MGV 2000 (N,P) J (A,B,C,D,E,F) 3WX	\$73,030
MGV 2500 (N,P) J (C,D,E) 3WX	\$86,794
MGV 3000 (N,P) J (C,D,E) 3WX	\$97,457
MGV 3500 N J (C,D,E) 3WX	\$114,461
MGV 4000 N J (C,D,E) 3WX	\$121,961

#### List Pricing - Optional Configurations

#### Waterway Options - 12th character code

*Add amount shown to list price*

	1600	2000	2500	3000	3500	4000
X - std MGH	n/c	n/c	n/c	n/c	n/c	n/c
W - std MGV	n/c	n/c	n/c	n/c	n/c	n/c
A, B, C, D, E, F - Alternate PRV's	n/c	n/c	n/c	n/c	n/c	n/c
G, H, J, K, L, M - Flange kits	\$664	\$664	\$664	\$664	\$1,795	\$1,795
N, P, R, S, T, U - MGV H-Stamp	n/c	n/c	n/c	n/c	n/c	n/c
2, 3, 4, 5, 6, 7 - Flange kits, MGV H-Stamp	\$664	\$664	\$664	\$664	\$1,795	\$1,795

#### Additional Options - 13th character code

*Add amount shown to list price*

	1600	2000	2500	3000	3500	4000
X- None	n/c	n/c	n/c	n/c	n/c	n/c
A- Gateway, BACnet IP & Modbus TCP/IP	\$2,953	\$2,953	\$2,953	\$2,953	\$2,953	\$2,953
B- Gateway, LonWorks	\$2,953	\$2,953	\$2,953	\$2,953	\$2,953	\$2,953
C- Alarm bell	\$542	\$542	\$542	\$542	\$542	\$542
D- Additional auto & manual reset high limits	\$801	\$801	\$801	\$801	\$801	\$801
E- Gateway BACnet & alarm bell	\$3,496	\$3,496	\$3,496	\$3,496	\$3,496	\$3,496
F- Gateway BACnet & high limits	\$3,754	\$3,754	\$3,754	\$3,754	\$3,754	\$3,754
G- Gateway BACnet & alarm & high limits	\$4,296	\$4,296	\$4,296	\$4,296	\$4,296	\$4,296
H- Gateway LonWorks & alarm bell	\$3,496	\$3,496	\$3,496	\$3,496	\$3,496	\$3,496
J- Gateway LonWorks & high limits	\$3,754	\$3,754	\$3,754	\$3,754	\$3,754	\$3,754
K- Gateway LonWorks & alarm & high limits	\$4,296	\$4,296	\$4,296	\$4,296	\$4,296	\$4,296
L- Alarm & high limits	\$1,343	\$1,343	\$1,343	\$1,343	\$1,343	\$1,343

## MagnaTherm Pricing - Effective December 6, 2021

### High Efficiency Condensing 5:1 Boiler / Water Heater MGH & MGV with Laars Linc Control

#### Accessories for Field Mounting

		1600	2000	2500	3000	3500	4000
Gateway for BACnet IP and Modbus TCP/IP	Kit #	<u>CA010312</u>	<u>CA010312</u>	<u>CA010312</u>	<u>CA010312</u>	<u>CA010312</u>	<u>CA010312</u>
	Price	\$3,015	\$3,015	\$3,015	\$3,015	\$3,015	\$3,015
Gateway for LonWorks	Kit #	<u>CA010313</u>	<u>CA010313</u>	<u>CA010313</u>	<u>CA010313</u>	<u>CA010313</u>	<u>CA010313</u>
	Price	\$3,015	\$3,015	\$3,015	\$3,015	\$3,015	\$3,015
Condensate neutralizer	Kit #	<u>A2123603</u>	<u>A2123603</u>	<u>A2123603</u>	<u>A2123603</u>	<u>A2123603</u>	<u>A2123603</u>
	Price	\$664	\$664	\$664	\$664	\$664	\$664
Condensate neutralizer with pump	Kit #	<u>A2123604</u>	<u>A2123604</u>	<u>A2123604</u>	<u>A2123604</u>	<u>A2123604</u>	<u>A2123604</u>
	Price	\$2,268	\$2,268	\$2,268	\$2,268	\$2,268	\$2,268

#### Vent / Air Accessories for MagnaTherms Placed Indoors

<b>Vent/Exhaust</b>		1600	2000	2500	3000	3500	4000
Horiz vent terminal for SSTL	Kit #	<u>D2012004</u>	<u>D2012001</u>	<u>D2012001</u>	<u>D2012002</u>	<u>D2012002</u>	<u>D2012003</u>
	Price	\$555	\$635	\$635	\$726	\$726	\$930
Screen kit for horiz CPVC vent	Kit #	<u>CA012104</u>	<u>CA012101</u>	<u>CA012101</u>	<u>CA012102</u>	<u>CA012102</u>	<u>CA012103</u>
	Price	\$325	\$395	\$395	\$585	\$585	\$585
Screen for horiz polypropylene vent	Kit #	<u>CA012304</u>	<u>CA012301</u>	<u>CA012301</u>	<u>CA012302</u>	<u>CA012302</u>	<u>CA012303</u>
	Price	\$465	\$355	\$355	\$445	\$445	\$815
Screen for vertical SSTL vent	Kit #	<u>CA011904</u>	<u>D2012301</u>	<u>D2012301</u>	<u>D2012302</u>	<u>D2012302</u>	<u>D2012303</u>
	Price	\$80	\$55	\$55	\$64	\$64	\$75
Screen for vertical CPVC vent	Kit #	<u>CA012504</u>	<u>CA012501</u>	<u>CA012501</u>	<u>CA012502</u>	<u>CA012502</u>	<u>CA012503</u>
	Price	\$278	\$345	\$345	\$530	\$530	\$530
Screen for vertical polypropylene vent	Kit #	<u>CA012704</u>	<u>CA012701</u>	<u>CA012701</u>	<u>CA012702</u>	<u>CA012702</u>	<u>CA012703</u>
	Price	\$165	\$188	\$188	\$203	\$203	\$267

#### **Ducted Air**

Adapter/screen kit for PVC air pipe	Kit #	<u>CA012004</u>	<u>CA012001</u>	<u>CA012001</u>	<u>CA012002</u>	<u>CA012002</u>	<u>CA012003</u>
	Price	\$164	\$240	\$240	\$305	\$305	\$305
Screen for horiz polyprop air pipe	Kit #	<u>CA012200</u>	<u>CA012201</u>	<u>CA012201</u>	<u>CA012202</u>	<u>CA012202</u>	<u>CA012203</u>
	Price	\$255	\$255	\$255	\$287	\$287	\$530
Screen for horiz or vert galv air pipe	Kit #	<u>D2012204</u>	<u>D2012201</u>	<u>D2012201</u>	<u>D2012202</u>	<u>D2012202</u>	<u>D2012203</u>
	Price	\$55	\$55	\$55	\$64	\$64	\$75
Screen for vert polyprop air pipe	Kit #	<u>CA012604</u>	<u>CA012601</u>	<u>CA012601</u>	<u>CA012602</u>	<u>CA012602</u>	<u>CA012603</u>
	Price	\$473	\$348	\$348	\$447	\$447	\$821

#### Vent / Air Accessories for MagnaTherms Placed Outdoors

		1600	2000	2500	3000	3500	4000
Vent terminal, outdoor	Kit #	<u>CA017201</u>	<u>CA017202</u>	<u>CA017202</u>	<u>CA017203</u>	<u>CA017203</u>	<u>CA017204</u>
	Price	\$1,480	\$1,960	\$1,960	\$2,850	\$2,850	\$3,190
Screen kit for air, outdoor	Kit #	<u>CA011904</u>	<u>CA011901</u>	<u>CA011901</u>	<u>CA011902</u>	<u>CA011902</u>	<u>CA011903</u>
	Price	\$80	\$86	\$86	\$105	\$105	\$120

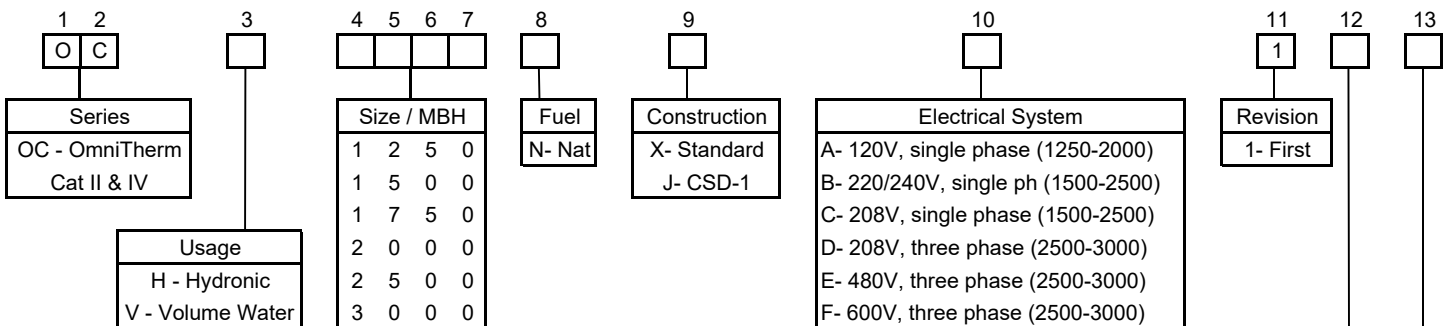
# OmniTherm - Cat II / IV Vent Pricing - Effective December 6, 2021

## Commercial Boiler / Water Heater Models OCH & OCV - For Vent Category II / IV

### Standard Features

- ASME "H" stamp (OCH)
- ASME "HLW" stamp (OCV)
- 160 psi maximum working pressure
- Certified for Category II & IV vent
- Indoor / outdoor
- Low NOx system exceeds the most stringent NOx regulations
- Sophisticated gas/air valve allows for constant control of combustion
- Sealed combustion chamber
- Stainless steel heat exchanger with welded construction
- Pre-mix stainless steel burner
- Electronic PID modulating control with large touchscreen and color display
- Multiple, independent heat demands
- VARI-PRIME boiler pump control with fixed delta T control for variable flow through boiler (OCH)
- Control cascades with up to eight OmniTherm OCH / OCV units
- Accepts 4-20ma or 0-10VDC external modulation or external set point control
- Modbus RTU & BACnet MSTP on board
- Multiple pump control, each with delay
- Indirect DHW priority (OCH)
- Domestic water sensor
- Outdoor reset with sensor (OCH)
- Vent temperature cutoff
- Cat IV horizontal or vertical direct vent
- Cat IV vent & air pipe lengths of up to 100 equivalent feet (each)
- Normally open alarm contact
- Air filter
- Water flow switch
- Temperature & pressure gauge
- Low water cutoff
- 75 psi (517kPa) ASME rated pressure relief valve (OCH)
- 125 psi (861kPa) ASME rated pressure relief valve (OCV)
- Groove lock fittings (optional flange adapter)
- Burner site glass
- 10-yr limited warranty

### Model Nomenclature



#### Waterway Options

X- std OCH, 75psi PRV, H-Stamp	N- OCV w/ H-Stamp, 30psi PRV
W- std OCV, 125psi PRV, HLW-Stamp	P- OCV w/ H-Stamp, 50psi PRV
A- 30psi PRV	R- OCV w/ H-Stamp, 60psi PRV
B- 50psi PRV	S- OCV w/ H-Stamp, 75psi PRV
C- 60psi PRV	T- OCV w/ H-Stamp, 125psi PRV
D- OCV 75psi PRV	U- OCV w/ H-Stamp, 150psi PRV
E- OCH 125psi PRV	2- Flange kit, OCV H-Stamp, 30psi PRV
F- 150psi PRV	3- Flange kit, OCV H-Stamp, 50psi PRV
G- Flange kit & 30psi PRV	4- Flange kit, OCV H-Stamp, 60psi PRV
H- Flange kit & 50psi PRV	5- Flange kit, OCV H-Stamp, 75psi PRV
J- Flange kit & 60psi PRV	6- Flange kit, OCV H-Stamp, 125psi PRV
K- Flange kit & 75psi PRV	7- Flange kit, OCV H-Stamp, 150psi PRV
L- Flange kit & 125psi PRV	
M- Flange kit & 150psi PRV	

#### Additional Options

X- None	H- Gateway LONworks & alarm bell
A- Gateway, BACnet IP	J- Gateway LONworks & high limits
B- Gateway, LONworks	K- Gateway LONworks & alarm bell
C- Alarm bell	L- Alarm & high limits
D- Auto & manual high limits	
E- Gateway BACnet IP & alarm bell	
F- Gateway BACnet IP & high limits	
G- Gateway BACnet IP & alarm bell & high limits	

**OmniTherm - Cat II / IV Vent Pricing - Effective December 6, 2021**  
**Commercial Boiler / Water Heater Models OCH & OCV - For Vent Category II / IV**

**List Pricing**

**Boiler, Standard**

Model	List Price
OCH 1250 N X A 1 X X	\$35,081
OCH 1500 N X (A, B, C) 1 X X	\$37,909
OCH 1750 N X (A, B, C) 1 X X	\$40,042
OCH 2000 N X (A, B, C) 1 X X	\$43,177
OCH 2500 N X (B, C, D, E, F) 1 X X	\$46,551
OCH 3000 N X (D, E, F) 1 X X	\$50,728

**Boiler, CSD-1**

Model	List Price
OCH 1250 N J A 1 X X	\$35,501
OCH 1500 N J (A, B, C) 1 X X	\$38,329
OCH 1750 N J (A, B, C) 1 X X	\$40,462
OCH 2000 N J (A, B, C) 1 X X	\$43,597
OCH 2500 N J (B, C, D, E, F) 1 X X	\$46,971
OCH 3000 N J (D, E, F) 1 X X	\$51,148

**Water Heater, Standard**

Model	List Price
OCV 1250 N X A 1 W X	\$35,081
OCV 1500 N X (A, B, C) 1 W X	\$37,909
OCV 1750 N X (A, B, C) 1 W X	\$40,042
OCV 2000 N X (A, B, C) 1 W X	\$43,177
OCV 2500 N X (B, C, D, E, F) 1 W X	\$46,551
OCV 3000 N X (D, E, F) 1 W X	\$50,728

**Water Heater, CSD-1**

Model	List Price
OCV 1250 N J A 1 W X	\$35,501
OCV 1500 N J (A, B, C) 1 W X	\$38,329
OCV 1750 N J (A, B, C) 1 W X	\$40,462
OCV 2000 N J (A, B, C) 1 W X	\$43,597
OCV 2500 N J (B, C, D, E, F) 1 W X	\$46,971
OCV 3000 N J (D, E, F) 1 W X	\$51,148

**List Pricing - Optional Configurations**

**Waterway Options - 12th character code**

*Add amount shown to list price*

	1250	1500	1750	2000	2500	3000
X - std OCH	n/c	n/c	n/c	n/c	n/c	n/c
W - std OCV	n/c	n/c	n/c	n/c	n/c	n/c
A, B, C, D, E, F - Alternate PRV's	n/c	n/c	n/c	n/c	n/c	n/c
G, H, J, K, L, M - Flange kits	\$664	\$664	\$664	\$664	\$664	\$664
N, P, R, S, T, U - OCV H-Stamp	n/c	n/c	n/c	n/c	n/c	n/c
2, 3, 4, 5, 6, 7 - Flange kits, OCV H-Stamp	\$664	\$664	\$664	\$664	\$664	\$664

**Additional Options - 13th character code**

*Add amount shown to list price*

	1250	1500	1750	2000	2500	3000
X- None	n/c	n/c	n/c	n/c	n/c	n/c
A- Gateway, BACnet IP & Modbus TCP/IP	\$2,953	\$2,953	\$2,953	\$2,953	\$2,953	\$2,953
B- Gateway, LonWorks	\$2,953	\$2,953	\$2,953	\$2,953	\$2,953	\$2,953
C- Alarm bell	\$542	\$542	\$542	\$542	\$542	\$542
D- Additional auto & manual reset high limits	\$801	\$801	\$801	\$801	\$801	\$801
E- Gateway BACnet & alarm bell	\$3,496	\$3,496	\$3,496	\$3,496	\$3,496	\$3,496
F- Gateway BACnet & high limits	\$3,754	\$3,754	\$3,754	\$3,754	\$3,754	\$3,754
G- Gateway BACnet & alarm & high limits	\$4,296	\$4,296	\$4,296	\$4,296	\$4,296	\$4,296
H- Gateway LonWorks & alarm bell	\$3,496	\$3,496	\$3,496	\$3,496	\$3,496	\$3,496
J- Gateway LonWorks & high limits	\$3,754	\$3,754	\$3,754	\$3,754	\$3,754	\$3,754
K- Gateway LonWorks & alarm & high limits	\$4,296	\$4,296	\$4,296	\$4,296	\$4,296	\$4,296
L- Alarm & high limits	\$1,343	\$1,343	\$1,343	\$1,343	\$1,343	\$1,343



# OmniTherm - Cat II / IV Vent Pricing - Effective December 6, 2021

## Commercial Boiler / Water Heater OCH & OCV with Laars Linc Control

### Accessories for Field Mounting

		1250	1500	1750	2000	2500	3000
Gateway for BACnet IP and Modbus TCP/IP	Kit #	<u>CA010312</u>	<u>CA010312</u>	<u>CA010312</u>	<u>CA010312</u>	<u>CA010312</u>	<u>CA010312</u>
	Price	\$3,015	\$3,015	\$3,015	\$3,015	\$3,015	\$3,015
Gateway for LonWorks	Kit #	<u>CA010313</u>	<u>CA010313</u>	<u>CA010313</u>	<u>CA010313</u>	<u>CA010313</u>	<u>CA010313</u>
	Price	\$3,015	\$3,015	\$3,015	\$3,015	\$3,015	\$3,015
Condensate neutralizer	Kit #	<u>A2132603</u>	<u>A2132603</u>	<u>A2132603</u>	<u>A2132603</u>	<u>A2132603</u>	<u>A2132603</u>
	Price	\$664	\$664	\$664	\$664	\$664	\$664
Condensate neutralizer/pump	Kit #	<u>A2123604</u>	<u>A2123604</u>	<u>A2123604</u>	<u>A2123604</u>	<u>A2123604</u>	<u>A2123604</u>
	Price	\$2,268	\$2,268	\$2,268	\$2,268	\$2,268	\$2,268

### Vent / Air Accessories for OmniTherms Placed Indoors

		1250	1500	1750	2000	2500	3000
Horizontal Vent Terminal	Kit #	<u>D2012004</u>	<u>D2012004</u>	<u>D2012001</u>	<u>D2012001</u>	<u>D2012001</u>	<u>D2012002</u>
	Price	\$555	\$555	\$635	\$635	\$635	\$726
Screen for Air Terminal	Kit #	<u>CA011904</u>	<u>CA011904</u>	<u>CA011901</u>	<u>CA011901</u>	<u>CA011901</u>	<u>CA011902</u>
	Price	\$80	\$80	\$86	\$86	\$86	\$105

### Vent / Air Accessories for OmniTherms Placed Outdoors

		1250	1500	1750	2000	2500	3000
Vent terminal, outdoor	Kit #	<u>CA016702</u>	<u>CA016702</u>	<u>CA016802</u>	<u>CA017602</u>	<u>CA017602</u>	<u>CA017800</u>
	Price	\$1,454	\$1,454	\$1,912	\$1,912	\$1,912	\$2,404
Screen kit for air, outdoor	Kit #	<u>CA016900</u>	<u>CA016900</u>	<u>CA017000</u>	<u>CA017000</u>	<u>CA017000</u>	<u>CA018100</u>
	Price	\$78	\$78	\$82	\$82	\$82	\$93

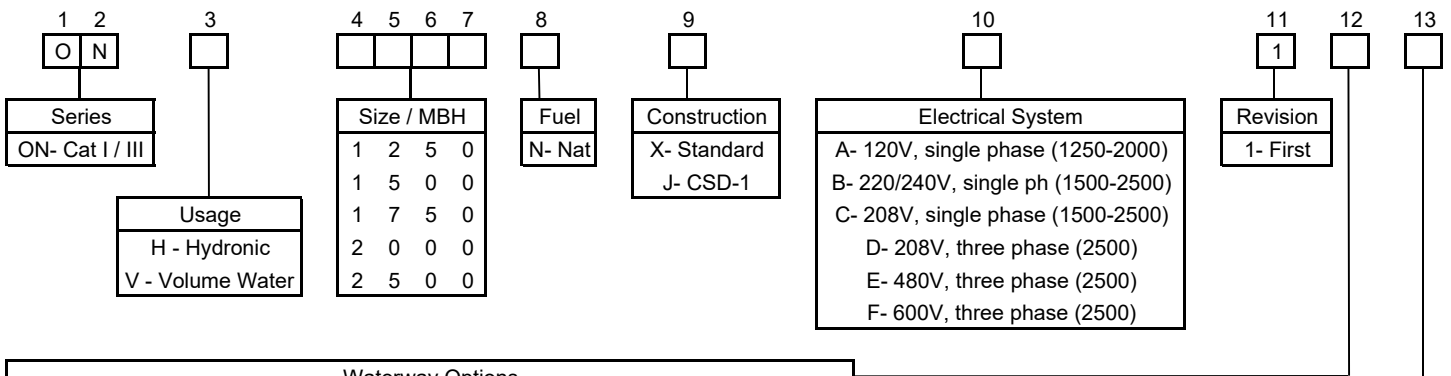
# OmniTherm - Cat I / III Vent Pricing - Effective December 6, 2021

## Commercial Boiler / Water Heater Models ONH & ONV - For Vent Category I / III

### Standard Features

- ASME "H" stamp (ONH)
- ASME "HLW" stamp (ONV)
- 160 psi maximum working pressure
- Certified for Category I & III vent
- Indoor/outdoor
- Low NOx system exceeds the most stringent NOx regulations
- Sophisticated gas/air valve allows for constant control of combustion
- Sealed combustion chamber
- Stainless steel heat exchanger with welded construction
- Pre-mix stainless steel burner
- Electronic PID modulating control with large touchscreen and color display
- Multiple, independent heat demands
- VARI-PRIME boiler pump control with fixed delta T control for variable flow through boiler (ONH)
- Control cascades with up to eight OmniTherm ONH / ONV units
- Accepts 4-20ma or 0-10VDC external modulation or external set point control
- Modbus RTU & BACnet MSTP on board
- Multiple pump control, each with delay
- Indirect DHW priority (ONH)
- Domestic water sensor
- Outdoor reset with sensor (ONH)
- Vent temperature cutoff
- Cat III horizontal or vertical direct vent
- Cat III vent & air pipe lengths of up to 100 equivalent feet (each)
- Normally open alarm contact
- Air filter
- Water flow switch
- Temperature & pressure gauge
- Low water cutoff
- 75 psi (517kPa) ASME rated pressure relief valve (ONH)
- 125 psi (861kPa) ASME rated pressure relief valve (ONV)
- Groove lock fittings (optional flange adapter)
- Burner site glass
- 10-yr limited warranty

### Model Nomenclature



Waterway Options	
X- std ONH, 75psi PRV, H-Stamp	N- ONV w/ H-Stamp, 30psi PRV
W- std ONV, 125psi PRV, HLW-Stamp	P- ONV w/ H-Stamp, 50psi PRV
A- 30psi PRV	R- ONV w/ H-Stamp, 60psi PRV
B- 50psi PRV	S- ONV w/ H-Stamp, 75psi PRV
C- 60psi PRV	T- ONV w/ H-Stamp, 125psi PRV
D- ONV 75psi PRV	U- ONV w/ H-Stamp, 150psi PRV
E- ONH 125psi PRV	2- Flange kit, ONV w/ H-Stamp, 30psi PRV
F- 150psi PRV	3- Flange kit, ONV w/ H-Stamp, 50psi PRV
G- Flange kit & 30psi PRV	4- Flange kit, ONV w/ H-Stamp, 60psi PRV
H- Flange kit & 50psi PRV	5- Flange kit, ONV w/ H-Stamp, 75psi PRV
J- Flange kit & 60psi PRV	6- Flange kit, ONV w/ H-Stamp, 125psi PRV
K- Flange kit & 75psi PRV	7- Flange kit, ONV w/ H-Stamp, 150psi PRV
L- Flange kit & 125psi PRV	
M- Flange kit & 150psi PRV	

Additional Options	
X- None	H- Gateway LONworks & alarm bell
A- Gateway, BACnet IP	J- Gateway LONworks & high limits
B- Gateway, LONworks	K- Gateway LONworks & alarm bell
C- Alarm bell	L- Alarm & high limits
D- Auto & manual high limits	
E- Gateway BACnet IP & alarm bell	
F- Gateway BACnet IP & high limits	
G- Gateway BACnet IP & alarm bell & high limits	

**OmniTherm - Cat I / III Vent Pricing - Effective December 6, 2021**  
**Commercial Boiler / Water Heater ONH & ONV - For Vent Category I / III**

**List Pricing**

**Boiler, Standard**

Model	List Price
ONH 1250 N X A 1 X X	\$30,169
ONH 1500 N X (A, B, C) 1 X X	\$36,857
ONH 1750 N X (A, B, C) 1 X X	\$38,694
ONH 2000 N X (A, B, C) 1 X X	\$41,610
ONH 2500 N X (B, C, D, E, F) 1 X X	\$45,031

**Boiler, CSD-1**

Model	List Price
ONH 1250 N J A 1 X X	\$30,589
ONH 1500 N J (A, B, C) 1 X X	\$37,277
ONH 1750 N J (A, B, C) 1 X X	\$39,114
ONH 2000 N J (A, B, C) 1 X X	\$42,030
ONH 2500 N J (B, C, D, E, F) 1 X X	\$45,451

**Water Heater, Standard**

Model	List Price
ONV 1250 N X A 1 W X	\$30,169
ONV 1500 N X (A, B, C) 1 W X	\$36,857
ONV 1750 N X (A, B, C) 1 W X	\$38,694
ONV 2000 N X (A, B, C) 1 W X	\$41,610
ONV 2500 N X (B, C, D, E, F) 1 W X	\$45,031

**Water Heater, CSD-1**

Model	List Price
ONV 1250 N J A 1 W X	\$30,589
ONV 1500 N J (A, B, C) 1 W X	\$37,277
ONV 1750 N J (A, B, C) 1 W X	\$39,114
ONV 2000 N J (A, B, C) 1 W X	\$42,030
ONV 2500 N J (B, C, D, E, F) 1 W X	\$45,451

**List Pricing - Optional Configurations**

**Waterway Options - 12th character code**

*Add amount shown to list price*

	1250	1500	1750	2000	2500
X - std ONH	n/c	n/c	n/c	n/c	n/c
W - std ONV	n/c	n/c	n/c	n/c	n/c
A, B, C, D, E, F - Alternate PRV's	n/c	n/c	n/c	n/c	n/c
G, H, J, K, L, M - Flange kits	\$664	\$664	\$664	\$664	\$664
N, P, R, S, T, U - ONV H-Stamp	n/c	n/c	n/c	n/c	n/c
2, 3, 4, 5, 6, 7 - Flange kits, ONV H-Stamp	\$664	\$664	\$664	\$664	\$664

**Additional Options - 13th character code**

*Add amount shown to list price*

	1250	1500	1750	2000	2500
X- None	n/c	n/c	n/c	n/c	n/c
A- Gateway, BACnet IP & Modbus TCP/IP	\$2,953	\$2,953	\$2,953	\$2,953	\$2,953
B- Gateway, LonWorks	\$2,953	\$2,953	\$2,953	\$2,953	\$2,953
C- Alarm bell	\$542	\$542	\$542	\$542	\$542
D- Additional auto & manual reset hi limits	\$801	\$801	\$801	\$801	\$801
E- Gateway BACnet & alarm bell	\$3,496	\$3,496	\$3,496	\$3,496	\$3,496
F- Gateway BACnet & hi limits	\$3,754	\$3,754	\$3,754	\$3,754	\$3,754
G- Gateway BACnet & alarm & hi limits	\$4,296	\$4,296	\$4,296	\$4,296	\$4,296
H- Gateway LonWorks & alarm bell	\$3,496	\$3,496	\$3,496	\$3,496	\$3,496
J- Gateway LonWorks & hi limits	\$3,754	\$3,754	\$3,754	\$3,754	\$3,754
K- Gateway LonWorks & alarm & hi limits	\$4,296	\$4,296	\$4,296	\$4,296	\$4,296
L- Alarm & hi limits	\$1,343	\$1,343	\$1,343	\$1,343	\$1,343

**OmniTherm - Cat I / III Vent Pricing - Effective December 6, 2021**  
**Commercial Boiler / Water Heater ONH & ONV - For Vent Category I / III**

**Accessories for Field Mounting**

		1250	1500	1750	2000	2500
Gateway for BACnet IP and Modbus TCP/IP	Kit #	<u>CA010312</u>	<u>CA010312</u>	<u>CA010312</u>	<u>CA010312</u>	<u>CA010312</u>
	Price	\$3,015	\$3,015	\$3,015	\$3,015	\$3,015
Gateway for LonWorks	Kit #	<u>CA010313</u>	<u>CA010313</u>	<u>CA010313</u>	<u>CA010313</u>	<u>CA010313</u>
	Price	\$3,015	\$3,015	\$3,015	\$3,015	\$3,015
Condensate neutralizer	Kit #	<u>A2123603</u>	<u>A2123603</u>	<u>A2123603</u>	<u>A2123603</u>	<u>A2123603</u>
	Price	\$664	\$664	\$664	\$664	\$664
Condensate neutralizer/pump	Kit #	<u>A2123604</u>	<u>A2123604</u>	<u>A2123604</u>	<u>A2123604</u>	<u>A2123604</u>
	Price	\$2,268	\$2,268	\$2,268	\$2,268	\$2,268

**Vent / Air Accessories for OmniTherms Placed Indoors**

		1250	1500	1750	2000	2500
Horizontal Vent Terminal	Kit #	<u>D2012004</u>	<u>D2012004</u>	<u>D2012001</u>	<u>D2012001</u>	<u>D2012001</u>
	Price	\$555	\$555	\$635	\$635	\$635
Screen for Air Terminal	Kit #	<u>CA011904</u>	<u>CA011904</u>	<u>CA011901</u>	<u>CA011901</u>	<u>CA011901</u>
	Price	\$80	\$80	\$86	\$86	\$86
Decreaser for category III vent	Kit #	<u>D2022100</u>	<u>D2022100</u>	<u>D2022200</u>	<u>D2022200</u>	<u>D2022300</u>
	Price	\$217	\$217	\$388	\$388	\$399

**Vent / Air Accessories for OmniTherms Placed Outdoors**

		1250	1500	1750	2000	2500
Vent terminal, outdoor	Kit #	<u>CA016701</u>	<u>CA016701</u>	<u>CA016801</u>	<u>CA017601</u>	<u>CA017701</u>
	Price	\$1,483	\$1,483	\$1,951	\$1,951	\$1,951
Screen kit for air, outdoor	Kit #	<u>CA016900</u>	<u>CA016900</u>	<u>CA017000</u>	<u>CA017000</u>	<u>CA017000</u>
	Price	\$78	\$78	\$82	\$82	\$82

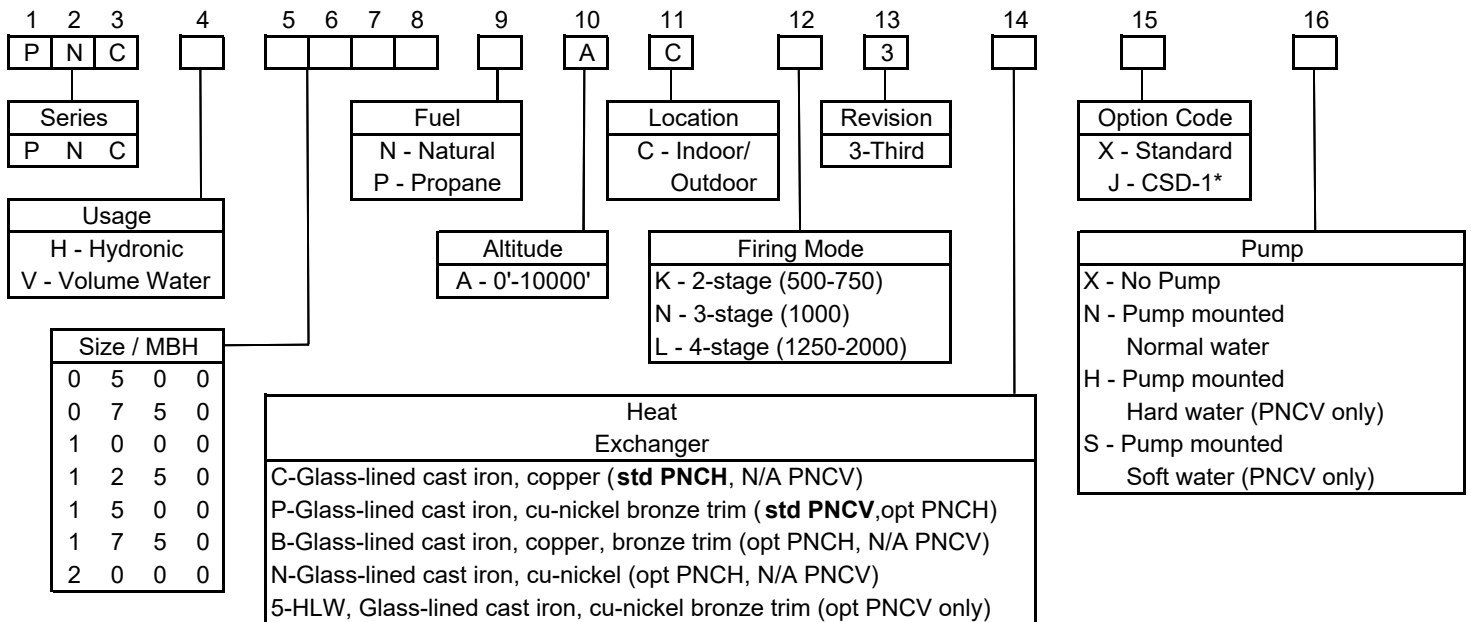
# Pennant Pricing - Effective December 6, 2021

## Hydronic Boilers and Volume Water Heaters

### Standard Features

- ASME 160 psi working pressure heat exchanger
- ASME "H" stamp (HLW opt. PNCV)
- Indoor / outdoor
- Electronic staging & ignition control with LCD touchscreen
- Cascades up to 8 units with redundancy options
- Multiple pump control system
- Adjustable pump time delays
- BACnet MSTP & Modbus with opt. BACnet IP, Metasys, LonWorks
- Accepts External 0-10VDC or 4-20mA for remote control of temp or stages
- Displays clear text messages
- Diagnostics for analog/digital inputs
- Password protected parameters
- Quick start configuration
- Hot surface ignition
- 24V control system
- On/Off toggle switch
- 115/24VAC transformer
- DHW sensor
- Boiler, system & outdoor temp sensor (PNCH)
- Manual reset high limit
- Auto reset high limit
- Dry run and alarm contacts
- Anti-frost mode
- Anti-short-cycle mode
- Pump, mounted & wired (when ordered as pump-mounted unit)
- Flanged water connections
- Bronze trim std on PNCV
- Glass-lined cast iron headers
- External header gaskets
- Air pressure switch
- 75 psi (517kPa) ASME rated pressure relief valve (PNCH)
- 125 psi (861kPa) ASME rated pressure relief valve (PNCV)
- Water flow switch
- Temperature and pressure gauge
- Multiple operating gas valve/pressure regulators
- Manual "A" gas valve
- Multiple, removable burner trays
- Stainless steel burners
- Built-in draft fan(s) for Category I or III venting
- Intake air filter
- Burner site glass

### Model Nomenclature



**\*Option J: for CSD-1, GAP, FM, IL (low water cutoff not included)**

Adds high and low gas pressure switches, leak test valves, and changes standard ignition control to single trial.

### Additional Information

	500	750	1000	1250	1500	1750	2000
<b>Input, BTU/hr</b>	500,000	750,000	999,000	1,250,000	1,500,000	1,750,000	1,999,000
<b>Shipping Weight, lbs</b>	640	735	830	925	1020	1115	1210
<b>w/ Pump Mounted, lbs</b>	715	810	955	1050	1185	1280	1410

## Pennant Pricing - Effective December 6, 2021

### Hydronic Boilers and Volume Water Heaters

#### Pricing - Standard Unit (no pump or other options)

	500	750	1000	1250	1500	1750	2000
<b>Hydronic Boiler</b>	<u>PNCH0500</u>	<u>PNCH0750</u>	<u>PNCH1000</u>	<u>PNCH1250</u>	<u>PNCH1500</u>	<u>PNCH1750</u>	<u>PNCH2000</u>
4th character - H	\$14,914	\$16,344	\$20,819	\$23,483	\$26,708	\$29,860	\$32,561
<b>Volume Water Heater</b>	<u>PNCV0500</u>	<u>PNCV0750</u>	<u>PNCV1000</u>	<u>PNCV1250</u>	<u>PNCV1500</u>	<u>PNCV1750</u>	<u>PNCV2000</u>
4th character - V	\$15,634	\$17,065	\$22,067	\$24,204	\$27,427	\$30,580	\$33,276

#### List Pricing - Optional Configurations

	500	750	1000	1250	1500	1750	2000
<b>Fuel Options - 9th character code</b>							
Natural - N	n/c	n/c	n/c	n/c	n/c	n/c	n/c
Propane - P	n/c	n/c	n/c	n/c	n/c	n/c	n/c
<b>Heat Exchanger Options - 14th character code</b>							
	<i>Add amount shown to list price</i>						
C - Copper - <b>std PNCH</b> (n/a PNCV)	n/c	n/c	n/c	n/c	n/c	n/c	n/c
<b>Cu-Nickel, Bronze trim - std PNCV</b>							
P - PNCV - std - n/c	n/c	n/c	n/c	n/c	n/c	n/c	n/c
PNCH - add	\$1,598	\$2,212	\$2,649	\$3,317	\$3,484	\$4,201	\$4,284
Copper, Bronze trim							
B - PNCH - add (n/a PNCV)	\$680	\$680	\$680	\$680	\$680	\$680	\$680
Cu-Nickel							
N - PNCH - add (n/a PNCV)	\$918	\$1,532	\$1,969	\$2,638	\$2,806	\$3,521	\$3,604
5 - HLW Cu-Ni, Bronze trim (opt. PNCV, n/a PNCH)	n/c	n/c	n/c	n/c	n/c	n/c	n/c
<b>Control / Gas Train Options - 15th character code</b>							
	<i>Add amount shown to list price</i>						
X - Standard (no LWCO)	n/c	n/c	n/c	n/c	n/c	n/c	n/c
J - CSD-1, FM, GAP, IL (no LWCO)	\$681	\$787	\$921	\$1,390	\$1,390	\$1,390	\$1,471
<b>Pump Options - 16th character code</b>							
	<i>Add amount shown to list price</i>						
X - No Pump	n/c	n/c	n/c	n/c	n/c	n/c	n/c
N - Normal Water Pump Taco Mounted and Wired	\$1,390	\$1,390	\$1,449	\$1,449	\$1,663	\$1,663	\$2,075
Hard Water Pump Taco							
H - Mounted and Wired (PNCV only)	\$1,663	\$1,663	\$1,663	\$1,663	\$1,663	\$1,663	\$2,075
Soft Water Pump Taco							
S - Mounted and Wired (PNCV only)	\$1,390	\$1,390	\$1,390	\$1,390	\$1,390	\$1,663	\$2,075

#### Pennant Racks

Part Number	Width	Used on Non-Pump Size(s)	Used on Pump-Mounted Size(s)	Weight lbs	List Price
CA000700	42"	500	---	183	\$1,962
CA000800	54"	750	500	195	\$2,005
CA000900	66"	1000	750	241	\$2,081
CA001000	84"	1250	1000	230	\$2,173
CA001100	98"	1500, 1750	1250	265	\$2,461
CA001200	108"	2000	1500, 1750	275	\$2,668
CA001300	126"	---	2000	289	\$3,036

## Pennant Pricing - Effective December 6, 2021

### Hydronic Boilers and Volume Water Heaters

#### Installed Options

*Order kit number as separate line item*

		500	750	1000	1250	1500	1750	2000
Low water cutoff for non-reversed heat exchanger	Kit #	<u>KM000202</u>	<u>KM000202</u>	<u>KM000202</u>	<u>KM000202</u>	<u>KM000202</u>	<u>KM000202</u>	<u>KM000202</u>
	Price	\$818	\$818	\$818	\$818	\$818	\$818	\$818
Low water cutoff for reversed heat exchanger	Kit #	<u>KM000202</u>	<u>KM000202</u>	<u>KM000201</u>	<u>KM000201</u>	<u>KM000201</u>	<u>KM000201</u>	<u>KM000201</u>
	Price	\$818	\$818	\$818	\$818	\$818	\$818	\$818
Reversed heat exchanger for unit with no pump	Kit #	<u>KM007001</u>	<u>KM007001</u>	<u>KM007001</u>	<u>KM007001</u>	<u>KM007001</u>	<u>KM007001</u>	<u>KM007001</u>
	Price	\$323	\$323	\$323	\$323	\$323	\$323	\$323
Reversed heat exchanger for unit with pump	Kit #	<u>KM007002</u>	<u>KM007002</u>	<u>KM007002</u>	<u>KM007002</u>	<u>KM007002</u>	<u>KM007002</u>	<u>KM007002</u>
	Price	\$323	\$323	\$323	\$323	\$323	\$323	\$323
Alternate display orientation for top unit in stacked system	Kit #	<u>KM007502</u>	<u>KM007501</u>	<u>KM007501</u>	<u>KM007501</u>	<u>KM007501</u>	<u>KM007501</u>	<u>KM007501</u>
	Price	n/c	n/c	n/c	n/c	n/c	n/c	n/c
Add'l 240°F manual reset hi limit for non-reversed HX PNCH	Kit #	<u>KM007201</u>	<u>KM007201</u>	<u>KM007201</u>	<u>KM007201</u>	<u>KM007201</u>	<u>KM007201</u>	<u>KM007201</u>
	Price	\$473	\$473	\$473	\$473	\$473	\$473	\$473
Add'l 240°F manual reset hi limit for reversed HX PNCH	Kit #	<u>KM007201</u>	<u>KM007201</u>	<u>KM007201</u>	<u>KM007202</u>	<u>KM007202</u>	<u>KM007202</u>	<u>KM007202</u>
	Price	\$473	\$473	\$473	\$473	\$473	\$473	\$473
Add'l 200°F manual reset hi limit for non-reversed HX PNCH or V	Kit #	<u>KM007101</u>	<u>KM007101</u>	<u>KM007101</u>	<u>KM007101</u>	<u>KM007101</u>	<u>KM007101</u>	<u>KM007101</u>
	Price	\$473	\$473	\$473	\$473	\$473	\$473	\$473
Add'l 200°F manual reset hi limit for reversed HX PNCH or V	Kit #	<u>KM007101</u>	<u>KM007101</u>	<u>KM007101</u>	<u>KM007102</u>	<u>KM007102</u>	<u>KM007102</u>	<u>KM007102</u>
	Price	\$473	\$473	\$473	\$473	\$473	\$473	\$473
Add'l 240°F auto reset hi limit for non-reversed HX PNCH	Kit #	<u>KM007701</u>	<u>KM007701</u>	<u>KM007701</u>	<u>KM007701</u>	<u>KM007701</u>	<u>KM007701</u>	<u>KM007701</u>
	Price	\$473	\$473	\$473	\$473	\$473	\$473	\$473
Add'l 240°F auto reset hi limit for reversed HX PNCH	Kit #	<u>KM007701</u>	<u>KM007701</u>	<u>KM007701</u>	<u>KM007702</u>	<u>KM007702</u>	<u>KM007702</u>	<u>KM007702</u>
	Price	\$473	\$473	\$473	\$473	\$473	\$473	\$473
Add'l 200°F auto reset hi limit for non-reversed HX PNCH or V	Kit #	<u>KM007601</u>	<u>KM007601</u>	<u>KM007601</u>	<u>KM007601</u>	<u>KM007601</u>	<u>KM007601</u>	<u>KM007601</u>
	Price	\$473	\$473	\$473	\$473	\$473	\$473	\$473
Add'l 200°F auto reset hi limit for reversed HX PNCH or V	Kit #	<u>KM007601</u>	<u>KM007601</u>	<u>KM007601</u>	<u>KM007602</u>	<u>KM007602</u>	<u>KM007602</u>	<u>KM007602</u>
	Price	\$473	\$473	\$473	\$473	\$473	\$473	\$473
Add'l 240°F auto & man hi limit for non-reversed HX PNCH	Kit #	<u>KM007901</u>	<u>KM007901</u>	<u>KM007901</u>	<u>KM007901</u>	<u>KM007901</u>	<u>KM007901</u>	<u>KM007901</u>
	Price	\$945	\$945	\$945	\$945	\$945	\$945	\$945
Add'l 240°F auto & man hi limit for reversed HX PNCH	Kit #	<u>KM007901</u>	<u>KM007901</u>	<u>KM007901</u>	<u>KM007902</u>	<u>KM007902</u>	<u>KM007902</u>	<u>KM007902</u>
	Price	\$945	\$945	\$945	\$945	\$945	\$945	\$945
Add'l 200°F auto & man hi limit for non-reversed HX PNCH or V	Kit #	<u>KM007801</u>	<u>KM007801</u>	<u>KM007801</u>	<u>KM007801</u>	<u>KM007801</u>	<u>KM007801</u>	<u>KM007801</u>
	Price	\$945	\$945	\$945	\$945	\$945	\$945	\$945
Add'l 200°F auto & man hi limit for reversed HX PNCH or V	Kit #	<u>KM007801</u>	<u>KM007801</u>	<u>KM007801</u>	<u>KM007802</u>	<u>KM007802</u>	<u>KM007802</u>	<u>KM007802</u>
	Price	\$945	\$945	\$945	\$945	\$945	\$945	\$945

#### Accessories for Field Mounting

##### Indoor Venting Accessories

*Order kit number as separate line item*

Side-wall vent terminal (req'd for side-wall venting)	Kit #	<u>CA001401</u>	<u>CA001402</u>	<u>CA001402</u>	<u>CA001405</u>	<u>CA001405</u>	<u>CA001404</u>	<u>CA001404</u>
	Price	\$730	\$898	\$898	\$935	\$935	\$1,161	\$1,161
Side-wall comb. air terminal (req'd for side-wall ducted air)	Kit #	<u>CA20260701</u>	<u>CA20260703</u>	<u>CA20260703</u>	<u>CA20260706</u>	<u>CA20260706</u>	<u>CA20260706</u>	<u>CA20260706</u>
	Price	\$250	\$250	\$250	\$260	\$260	\$260	\$260

##### Outdoor Venting Accessories

*Order kit number as separate line item*

Outdoor vent terminal	Kit #	<u>20254703</u>	<u>20254705</u>	<u>20254705</u>	<u>D2007700</u>	<u>D2007700</u>	<u>D2007800</u>	<u>D2007800</u>
	Price	\$1,276	\$1,735	\$1,735	\$1,914	\$1,914	\$1,914	\$1,914
Outdoor combustion air terminal*	Kit #	<u>D2007900</u>	<u>D2008000</u>	<u>D2008000</u>	<u>D2008200</u>	<u>D2008200</u>	<u>D2008200</u>	<u>D2008200</u>
	Price	\$218	\$386	\$386	\$483	\$483	\$483	\$483

\*Alternate terminals may be used. Consult factory



## Pennant Pricing - Effective December 6, 2021

### Hydronic Boilers and Volume Water Heaters

#### Accessories for Field Mounting, Cont.

<b>Conversion Kits</b>		<i>Order kit number as separate line item</i>						
Propane to Natural Gas	Kit #	<u>CA007701</u>	<u>CA007702</u>	<u>CA007703</u>	<u>CA007704</u>	<u>CA007705</u>	<u>CA007706</u>	<u>CA007707</u>
	Price	\$80	\$111	\$142	\$177	\$209	\$242	\$273
Natural Gas to Propane	Kit #	<u>CA007708</u>	<u>CA007709</u>	<u>CA007710</u>	<u>CA007711</u>	<u>CA007712</u>	<u>CA007713</u>	<u>CA007714</u>
	Price	\$85	\$119	\$155	\$188	\$223	\$256	\$292
<b>Controls</b>		<i>Order kit number as separate line item</i>						
Gateway for BACnet IP and Modbus TCP/IP	Kit #	<u>CA015900</u>	<u>CA015900</u>	<u>CA015900</u>	<u>CA015900</u>	<u>CA015900</u>	<u>CA015900</u>	<u>CA015900</u>
	Price	\$3,015	\$3,015	\$3,015	\$3,015	\$3,015	\$3,015	\$3,015
Gateway for LonWorks	Kit #	<u>CA015901</u>	<u>CA015901</u>	<u>CA015901</u>	<u>CA015901</u>	<u>CA015901</u>	<u>CA015901</u>	<u>CA015901</u>
	Price	\$3,015	\$3,015	\$3,015	\$3,015	\$3,015	\$3,015	\$3,015
Add'l 240°F manual reset hi limit for non-reversed HX PNCH	Kit #	<u>CA014901</u>	<u>CA014901</u>	<u>CA014901</u>	<u>CA014901</u>	<u>CA014901</u>	<u>CA014901</u>	<u>CA014901</u>
	Price	\$473	\$473	\$473	\$473	\$473	\$473	\$473
Add'l 240°F manual reset hi limit for reversed HX PNCH	Kit #	<u>CA014901</u>	<u>CA014901</u>	<u>CA014901</u>	<u>CA014902</u>	<u>CA014902</u>	<u>CA014902</u>	<u>CA014902</u>
	Price	\$473	\$473	\$473	\$473	\$473	\$473	\$473
Add'l 200°F manual reset hi limit for non-reversed HX PNCH or V	Kit #	<u>CA014801</u>	<u>CA014801</u>	<u>CA014801</u>	<u>CA014801</u>	<u>CA014801</u>	<u>CA014801</u>	<u>CA014801</u>
	Price	\$473	\$473	\$473	\$473	\$473	\$473	\$473
Add'l 200°F manual reset hi limit for reversed HX PNCH or V	Kit #	<u>CA014801</u>	<u>CA014801</u>	<u>CA014801</u>	<u>CA014802</u>	<u>CA014802</u>	<u>CA014802</u>	<u>CA014802</u>
	Price	\$473	\$473	\$473	\$473	\$473	\$473	\$473
Add'l 240°F auto reset hi limit for non-reversed HX PNCH	Kit #	<u>CA015101</u>	<u>CA015101</u>	<u>CA015101</u>	<u>CA015101</u>	<u>CA015101</u>	<u>CA015101</u>	<u>CA015101</u>
	Price	\$473	\$473	\$473	\$473	\$473	\$473	\$473
Add'l 240°F auto reset hi limit for reversed HX PNCH	Kit #	<u>CA015101</u>	<u>CA015101</u>	<u>CA015101</u>	<u>CA015102</u>	<u>CA015102</u>	<u>CA015102</u>	<u>CA015102</u>
	Price	\$473	\$473	\$473	\$473	\$473	\$473	\$473
Add'l 200°F auto reset hi limit for non-reversed HX PNCH or V	Kit #	<u>CA015001</u>	<u>CA015001</u>	<u>CA015001</u>	<u>CA015001</u>	<u>CA015001</u>	<u>CA015001</u>	<u>CA015001</u>
	Price	\$473	\$473	\$473	\$473	\$473	\$473	\$473
Add'l 200°F auto reset hi limit for reversed HX PNCH or V	Kit #	<u>CA015001</u>	<u>CA015001</u>	<u>CA015001</u>	<u>CA015002</u>	<u>CA015002</u>	<u>CA015002</u>	<u>CA015002</u>
	Price	\$473	\$473	\$473	\$473	\$473	\$473	\$473
Add'l 240°F auto & man hi limit for non-reversed HX PNCH	Kit #	<u>CA015401</u>	<u>CA015401</u>	<u>CA015401</u>	<u>CA015401</u>	<u>CA015401</u>	<u>CA015401</u>	<u>CA015401</u>
	Price	\$945	\$945	\$945	\$945	\$945	\$945	\$945
Add'l 240°F auto & man hi limit for reversed HX PNCH	Kit #	<u>CA015401</u>	<u>CA015401</u>	<u>CA015401</u>	<u>CA015402</u>	<u>CA015402</u>	<u>CA015402</u>	<u>CA015402</u>
	Price	\$945	\$945	\$945	\$945	\$945	\$945	\$945
Add'l 200°F auto & man hi limit for non-reversed HX PNCH or V	Kit #	<u>CA015301</u>	<u>CA015301</u>	<u>CA015301</u>	<u>CA015301</u>	<u>CA015301</u>	<u>CA015301</u>	<u>CA015301</u>
	Price	\$945	\$945	\$945	\$945	\$945	\$945	\$945
Add'l 200°F auto & man hi limit for reversed HX PNCH or V	Kit #	<u>CA015301</u>	<u>CA015301</u>	<u>CA015301</u>	<u>CA015302</u>	<u>CA015302</u>	<u>CA015302</u>	<u>CA015302</u>
	Price	\$945	\$945	\$945	\$945	\$945	\$945	\$945
<b>Reversed Heat Exchangers</b>		<i>Order kit number as separate line item</i>						
Reversed heat exchanger for unit with no pump	Kit #	<u>CA015201</u>	<u>CA015201</u>	<u>CA015201</u>	<u>CA015201</u>	<u>CA015201</u>	<u>CA015201</u>	<u>CA015201</u>
	Price	\$323	\$323	\$323	\$323	\$323	\$323	\$323
Reversed heat exchanger for unit with pump	Kit #	<u>CA015202</u>	<u>CA015202</u>	<u>CA015202</u>	<u>CA015202</u>	<u>CA015202</u>	<u>CA015202</u>	<u>CA015202</u>
	Price	\$323	\$323	\$323	\$323	\$323	\$323	\$323

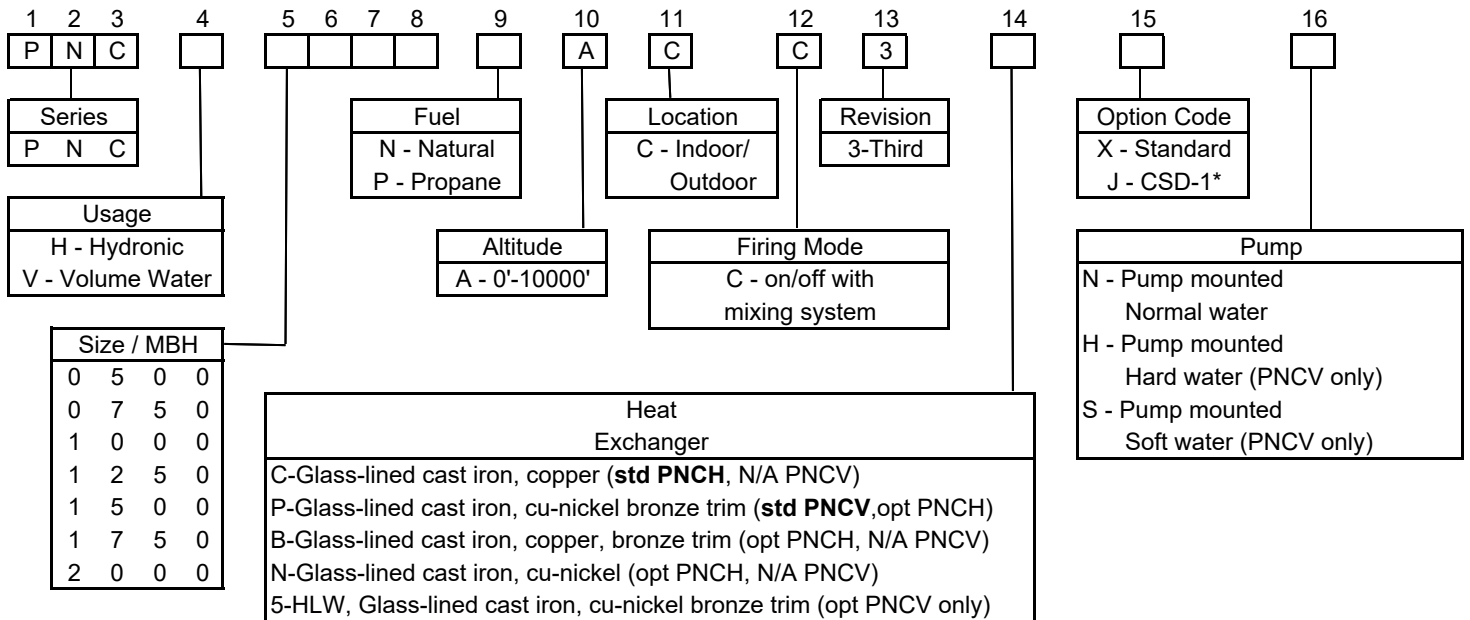
# Low-Temp Pennant Pricing - Effective December 6, 2021

## Hydronic Boilers and Volume Water Heaters With Anti-Condense Mixing System

### Standard Features

- ASME 160 psi working pressure heat exchanger
- ASME "H" stamp (HLW opt on PNCV)
- Indoor / outdoor
- Anti-condense mixing system
- Electronic staging & ignition control with LCD touchscreen
- Cascades up to 8 units with redundancy options
- Multiple pump control system
- Adjustable pump time delays
- BACnet MSTP & Modbus with opt. BACnet IP, Metasys, LonWorks
- Accepts External 0-10VDC or 4-20mA for remote control of temp or stages
- Displays clear text messages
- Diagnostics for analog/digital inputs
- Password protected parameters
- Quick start configuration
- Hot surface ignition
- 24V control system
- On/Off toggle switch
- 115/24VAC transformer
- DHW sensor
- Boiler, system & outdoor temp sensor (PNCH)
- Manual reset high limit
- Auto reset high limit
- Dry run and alarm contacts
- Anti-frost mode
- Anti-short-cycle mode
- Pump, mounted & wired
- Flanged water connections
- Bronze trim std on PNCV
- Glass-lined cast iron headers
- External header gaskets
- Air pressure switch
- 75 psi (517kPa) ASME rated pressure relief valve (PNCH)
- 125 psi (861kPa) ASME rated pressure relief valve (PNCV)
- Water flow switch
- Temperature and pressure gauge
- Multiple operating gas valve/pressure regulators
- Manual "A" gas valve
- Multiple, removable burner trays
- Stainless steel burners
- Built-in draft fan(s) for Category I or III venting
- Intake air filter
- Burner site glass

### Model Nomenclature



**\*Option J: for CSD-1, GAP, FM, IL (low water cutoff NOT included)**

Adds high and low gas pressure switches, leak test valves, and changes standard ignition control to single trial.

### Additional Information

	500	750	1000	1250	1500	1750	2000
<b>Input, BTU/hr</b>	500,000	750,000	999,000	1,250,000	1,500,000	1,750,000	1,999,000
<b>Shipping Weight, lbs</b>	775	870	1035	1130	1285	1380	1510

## Low-Temp Pennant Pricing - Effective December 6, 2021

### Hydronic Boilers and Volume Water Heaters With Anti-Condense Mixing System

#### List Pricing - Standard Unit (no pump or other options)

	500	750	1000	1250	1500	1750	2000
<b>Hydronic Boiler</b>	<u>PNCH0500</u>	<u>PNCH0750</u>	<u>PNCH1000</u>	<u>PNCH1250</u>	<u>PNCH1500</u>	<u>PNCH1750</u>	<u>PNCH2000</u>
4th character - H	\$17,596	\$19,086	\$23,621	\$26,240	\$29,628	\$32,752	\$35,526
<b>Volume Water Heater</b>	<u>PNCV0500</u>	<u>PNCV0750</u>	<u>PNCV1000</u>	<u>PNCV1250</u>	<u>PNCV1500</u>	<u>PNCV1750</u>	<u>PNCV2000</u>
4th character - V	\$18,315	\$19,750	\$24,295	\$26,960	\$30,318	\$33,472	\$36,167

#### List Pricing - Optional Configurations

	500	750	1000	1250	1500	1750	2000
<b>Fuel Options - 9th character code</b>							
Natural - N	n/c	n/c	n/c	n/c	n/c	n/c	n/c
Propane - P	n/c	n/c	n/c	n/c	n/c	n/c	n/c
<b>Heat Exchanger Options - 14th character code</b>							
	<i>Add amount shown to list price</i>						
C - Copper - <b>std PNCH</b> (n/a PNCV)	n/c	n/c	n/c	n/c	n/c	n/c	n/c
<b>Cu-Nickel, Bronze trim - std PNCV</b>							
P - PNCV - std - n/c	n/c	n/c	n/c	n/c	n/c	n/c	n/c
PNCH - add	\$1,598	\$2,212	\$2,649	\$3,317	\$3,484	\$4,201	\$4,284
<b>Copper, Bronze trim</b>							
B - PNCH - add (n/a PNCV)	\$680	\$680	\$680	\$680	\$680	\$680	\$680
<b>Cu-Nickel</b>							
N - PNCH - add (n/a PNCV)	\$918	\$1,532	\$1,969	\$2,638	\$2,806	\$3,521	\$3,604
5 - HLW Cu-Ni, Bronze trim (opt. PNCV, n/a PNCH)	n/c	n/c	n/c	n/c	n/c	n/c	n/c
<b>Control / Gas Train Options - 15th character code</b>							
	<i>Add amount shown to list price</i>						
X - Standard (no LWCO)	n/c	n/c	n/c	n/c	n/c	n/c	n/c
J - CSD-1, FM, GAP, IL (no LWCO)	\$681	\$787	\$921	\$1,390	\$1,390	\$1,390	\$1,471
<b>Pump Options - 16th character code</b>							
	<i>Add amount shown to list price</i>						
N Normal Water Pump Mounted & Wired	n/c	n/c	n/c	n/c	n/c	n/c	n/c
H Hard Water Pump Mounted & Wired (PNCV)	\$273	\$273	\$214	\$214	n/c	n/c	n/c
S Soft Water Pump Mounted & Wired (PNCV)	n/c	n/c	n/c	n/c	n/c	n/c	n/c

## Low-Temp Pennant Pricing - Effective December 6, 2021

### Hydronic Boilers and Volume Water Heaters With Anti-Condense Mixing System

#### Installed Options

*Order kit number as separate line item*

		500	750	1000	1250	1500	1750	2000
Low water cutoff for non-reversed heat exchanger	Kit #	<u>KM000202</u>	<u>KM000202</u>	<u>KM000202</u>	<u>KM000202</u>	<u>KM000202</u>	<u>KM000202</u>	<u>KM000202</u>
	Price	\$818	\$818	\$818	\$818	\$818	\$818	\$818
Low water cutoff for reversed heat exchanger	Kit #	<u>KM000202</u>	<u>KM000202</u>	<u>KM000201</u>	<u>KM000201</u>	<u>KM000201</u>	<u>KM000201</u>	<u>KM000201</u>
	Price	\$818	\$818	\$818	\$818	\$818	\$818	\$818
Reversed heat exchanger	Kit #	<u>KM007003</u>	<u>KM007003</u>	<u>KM007003</u>	<u>KM007003</u>	<u>KM007003</u>	<u>KM007003</u>	<u>KM007003</u>
	Price	\$323	\$323	\$323	\$323	\$323	\$323	\$323
Alternate display orientation for top unit in stacked system	Kit #	<u>KM007502</u>	<u>KM007501</u>	<u>KM007501</u>	<u>KM007501</u>	<u>KM007501</u>	<u>KM007501</u>	<u>KM007501</u>
	Price	n/c	n/c	n/c	n/c	n/c	n/c	n/c
Add'l 240°F manual reset hi limit for non-reversed HX PNCH	Kit #	<u>KM007201</u>	<u>KM007201</u>	<u>KM007201</u>	<u>KM007201</u>	<u>KM007201</u>	<u>KM007201</u>	<u>KM007201</u>
	Price	\$473	\$473	\$473	\$473	\$473	\$473	\$473
Add'l 240°F manual reset hi limit for reversed HX PNCH	Kit #	<u>KM007201</u>	<u>KM007201</u>	<u>KM007201</u>	<u>KM007202</u>	<u>KM007202</u>	<u>KM007202</u>	<u>KM007202</u>
	Price	\$473	\$473	\$473	\$473	\$473	\$473	\$473
Add'l 200°F manual reset hi limit for non-reversed HX PNCH or V	Kit #	<u>KM007101</u>	<u>KM007101</u>	<u>KM007101</u>	<u>KM007101</u>	<u>KM007101</u>	<u>KM007101</u>	<u>KM007101</u>
	Price	\$473	\$473	\$473	\$473	\$473	\$473	\$473
Add'l 200°F manual reset hi limit for reversed HX PNCH or V	Kit #	<u>KM007101</u>	<u>KM007101</u>	<u>KM007101</u>	<u>KM007102</u>	<u>KM007102</u>	<u>KM007102</u>	<u>KM007102</u>
	Price	\$473	\$473	\$473	\$473	\$473	\$473	\$473
Add'l 240°F auto reset hi limit for non-reversed HX PNCH	Kit #	<u>KM007701</u>	<u>KM007701</u>	<u>KM007701</u>	<u>KM007701</u>	<u>KM007701</u>	<u>KM007701</u>	<u>KM007701</u>
	Price	\$473	\$473	\$473	\$473	\$473	\$473	\$473
Add'l 240°F auto reset hi limit for reversed HX PNCH	Kit #	<u>KM007701</u>	<u>KM007701</u>	<u>KM007701</u>	<u>KM007702</u>	<u>KM007702</u>	<u>KM007702</u>	<u>KM007702</u>
	Price	\$473	\$473	\$473	\$473	\$473	\$473	\$473
Add'l 200°F auto reset hi limit for non-reversed HX PNCH or V	Kit #	<u>KM007601</u>	<u>KM007601</u>	<u>KM007601</u>	<u>KM007601</u>	<u>KM007601</u>	<u>KM007601</u>	<u>KM007601</u>
	Price	\$473	\$473	\$473	\$473	\$473	\$473	\$473
Add'l 200°F auto reset hi limit for reversed HX PNCH or V	Kit #	<u>KM007601</u>	<u>KM007601</u>	<u>KM007601</u>	<u>KM007602</u>	<u>KM007602</u>	<u>KM007602</u>	<u>KM007602</u>
	Price	\$473	\$473	\$473	\$473	\$473	\$473	\$473
Add'l 240°F auto & man hi limit for non-reversed HX PNCH	Kit #	<u>KM007901</u>	<u>KM007901</u>	<u>KM007901</u>	<u>KM007901</u>	<u>KM007901</u>	<u>KM007901</u>	<u>KM007901</u>
	Price	\$945	\$945	\$945	\$945	\$945	\$945	\$945
Add'l 240°F auto & man hi limit for reversed HX PNCH	Kit #	<u>KM007901</u>	<u>KM007901</u>	<u>KM007901</u>	<u>KM007902</u>	<u>KM007902</u>	<u>KM007902</u>	<u>KM007902</u>
	Price	\$945	\$945	\$945	\$945	\$945	\$945	\$945
Add'l 200°F auto & man hi limit for non-reversed HX PNCH or V	Kit #	<u>KM007801</u>	<u>KM007801</u>	<u>KM007801</u>	<u>KM007801</u>	<u>KM007801</u>	<u>KM007801</u>	<u>KM007801</u>
	Price	\$945	\$945	\$945	\$945	\$945	\$945	\$945
Add'l 200°F auto & man hi limit for reversed HX PNCH or V	Kit #	<u>KM007801</u>	<u>KM007801</u>	<u>KM007801</u>	<u>KM007802</u>	<u>KM007802</u>	<u>KM007802</u>	<u>KM007802</u>
	Price	\$945	\$945	\$945	\$945	\$945	\$945	\$945

#### Accessories for Field Mounting

##### Indoor Venting Accessories

*Order kit number as separate line item*

Side-wall vent terminal (req'd for side-wall venting)	Kit #	<u>CA001401</u>	<u>CA001402</u>	<u>CA001402</u>	<u>CA001405</u>	<u>CA001405</u>	<u>CA001404</u>	<u>CA001404</u>
	Price	\$730	\$898	\$898	\$935	\$935	\$1,161	\$1,161
Side-wall comb. air terminal (req'd for side-wall ducted air)	Kit #	<u>CA20260701</u>	<u>CA20260703</u>	<u>CA20260703</u>	<u>CA20260706</u>	<u>CA20260706</u>	<u>CA20260706</u>	<u>CA20260706</u>
	Price	\$250	\$250	\$250	\$260	\$260	\$260	\$260

##### Outdoor Venting Accessories

*Order kit number as separate line item*

Outdoor vent terminal	Kit #	<u>20254703</u>	<u>20254705</u>	<u>20254705</u>	<u>D2007700</u>	<u>D2007700</u>	<u>D2007800</u>	<u>D2007800</u>
	Price	\$1,276	\$1,735	\$1,735	\$1,914	\$1,914	\$1,914	\$1,914
Outdoor combustion air terminal*	Kit #	<u>D2007900</u>	<u>D2008000</u>	<u>D2008000</u>	<u>D2008200</u>	<u>D2008200</u>	<u>D2008200</u>	<u>D2008200</u>
	Price	\$218	\$386	\$386	\$483	\$483	\$483	\$483

\*Alternate terminals may be used. Consult factory

## Low-Temp Pennant Pricing - Effective December 6, 2021

### Hydronic Boilers and Volume Water Heaters With Anti-Condense Mixing System

#### Accessories for Field Mounting, Cont.

<b>Conversion Kits</b>		<i>Order kit number as separate line item</i>						
Propane to Natural Gas	Kit #	<u>CA007701</u>	<u>CA007702</u>	<u>CA007703</u>	<u>CA007704</u>	<u>CA007705</u>	<u>CA007706</u>	<u>CA007707</u>
	Price	\$80	\$111	\$142	\$177	\$209	\$242	\$273
Natural Gas to Propane	Kit #	<u>CA007708</u>	<u>CA007709</u>	<u>CA007710</u>	<u>CA007711</u>	<u>CA007712</u>	<u>CA007713</u>	<u>CA007714</u>
	Price	\$85	\$119	\$155	\$188	\$223	\$256	\$292
<b>Controls</b>		<i>Order kit number as separate line item</i>						
Gateway for BACnet IP and Modbus TCP/IP	Kit #	<u>CA015900</u>	<u>CA015900</u>	<u>CA015900</u>	<u>CA015900</u>	<u>CA015900</u>	<u>CA015900</u>	<u>CA015900</u>
	Price	\$3,015	\$3,015	\$3,015	\$3,015	\$3,015	\$3,015	\$3,015
Gateway for LonWorks	Kit #	<u>CA015901</u>	<u>CA015901</u>	<u>CA015901</u>	<u>CA015901</u>	<u>CA015901</u>	<u>CA015901</u>	<u>CA015901</u>
	Price	\$3,015	\$3,015	\$3,015	\$3,015	\$3,015	\$3,015	\$3,015
Add'l 240°F manual reset hi limit for non-reversed HX PNCH	Kit #	<u>CA014901</u>	<u>CA014901</u>	<u>CA014901</u>	<u>CA014901</u>	<u>CA014901</u>	<u>CA014901</u>	<u>CA014901</u>
	Price	\$473	\$473	\$473	\$473	\$473	\$473	\$473
Add'l 240°F manual reset hi limit for reversed HX PNCH	Kit #	<u>CA014901</u>	<u>CA014901</u>	<u>CA014901</u>	<u>CA014902</u>	<u>CA014902</u>	<u>CA014902</u>	<u>CA014902</u>
	Price	\$473	\$473	\$473	\$473	\$473	\$473	\$473
Add'l 200°F manual reset hi limit for non-reversed HX PNCH or V	Kit #	<u>CA014801</u>	<u>CA014801</u>	<u>CA014801</u>	<u>CA014801</u>	<u>CA014801</u>	<u>CA014801</u>	<u>CA014801</u>
	Price	\$473	\$473	\$473	\$473	\$473	\$473	\$473
Add'l 200°F manual reset hi limit for reversed HX PNCH or V	Kit #	<u>CA014801</u>	<u>CA014801</u>	<u>CA014801</u>	<u>CA014802</u>	<u>CA014802</u>	<u>CA014802</u>	<u>CA014802</u>
	Price	\$473	\$473	\$473	\$473	\$473	\$473	\$473
Add'l 240°F auto reset hi limit for non-reversed HX PNCH	Kit #	<u>CA015101</u>	<u>CA015101</u>	<u>CA015101</u>	<u>CA015101</u>	<u>CA015101</u>	<u>CA015101</u>	<u>CA015101</u>
	Price	\$473	\$473	\$473	\$473	\$473	\$473	\$473
Add'l 240°F auto reset hi limit for reversed HX PNCH	Kit #	<u>CA015101</u>	<u>CA015101</u>	<u>CA015101</u>	<u>CA015102</u>	<u>CA015102</u>	<u>CA015102</u>	<u>CA015102</u>
	Price	\$473	\$473	\$473	\$473	\$473	\$473	\$473
Add'l 200°F auto reset hi limit for non-reversed HX PNCH or V	Kit #	<u>CA015001</u>	<u>CA015001</u>	<u>CA015001</u>	<u>CA015001</u>	<u>CA015001</u>	<u>CA015001</u>	<u>CA015001</u>
	Price	\$473	\$473	\$473	\$473	\$473	\$473	\$473
Add'l 200°F auto reset hi limit for reversed HX PNCH or V	Kit #	<u>CA015001</u>	<u>CA015001</u>	<u>CA015001</u>	<u>CA015002</u>	<u>CA015002</u>	<u>CA015002</u>	<u>CA015002</u>
	Price	\$473	\$473	\$473	\$473	\$473	\$473	\$473
Add'l 240°F auto & man hi limit for non-reversed HX PNCH	Kit #	<u>CA015401</u>	<u>CA015401</u>	<u>CA015401</u>	<u>CA015401</u>	<u>CA015401</u>	<u>CA015401</u>	<u>CA015401</u>
	Price	\$945	\$945	\$945	\$945	\$945	\$945	\$945
Add'l 240°F auto & man hi limit for reversed HX PNCH	Kit #	<u>CA015401</u>	<u>CA015401</u>	<u>CA015401</u>	<u>CA015402</u>	<u>CA015402</u>	<u>CA015402</u>	<u>CA015402</u>
	Price	\$945	\$945	\$945	\$945	\$945	\$945	\$945
Add'l 200°F auto & man hi limit for non-reversed HX PNCH or V	Kit #	<u>CA015301</u>	<u>CA015301</u>	<u>CA015301</u>	<u>CA015301</u>	<u>CA015301</u>	<u>CA015301</u>	<u>CA015301</u>
	Price	\$945	\$945	\$945	\$945	\$945	\$945	\$945
Add'l 200°F auto & man hi limit for reversed HX PNCH or V	Kit #	<u>CA015301</u>	<u>CA015301</u>	<u>CA015301</u>	<u>CA015302</u>	<u>CA015302</u>	<u>CA015302</u>	<u>CA015302</u>
	Price	\$945	\$945	\$945	\$945	\$945	\$945	\$945
<b>Reversed Heat Exchangers</b>		<i>Order kit number as separate line item</i>						
Reversed heat exchanger	Kit #	<u>CA015203</u>	<u>CA015203</u>	<u>CA015203</u>	<u>CA015203</u>	<u>CA015203</u>	<u>CA015203</u>	<u>CA015203</u>
	Price	\$323	\$323	\$323	\$323	\$323	\$323	\$323

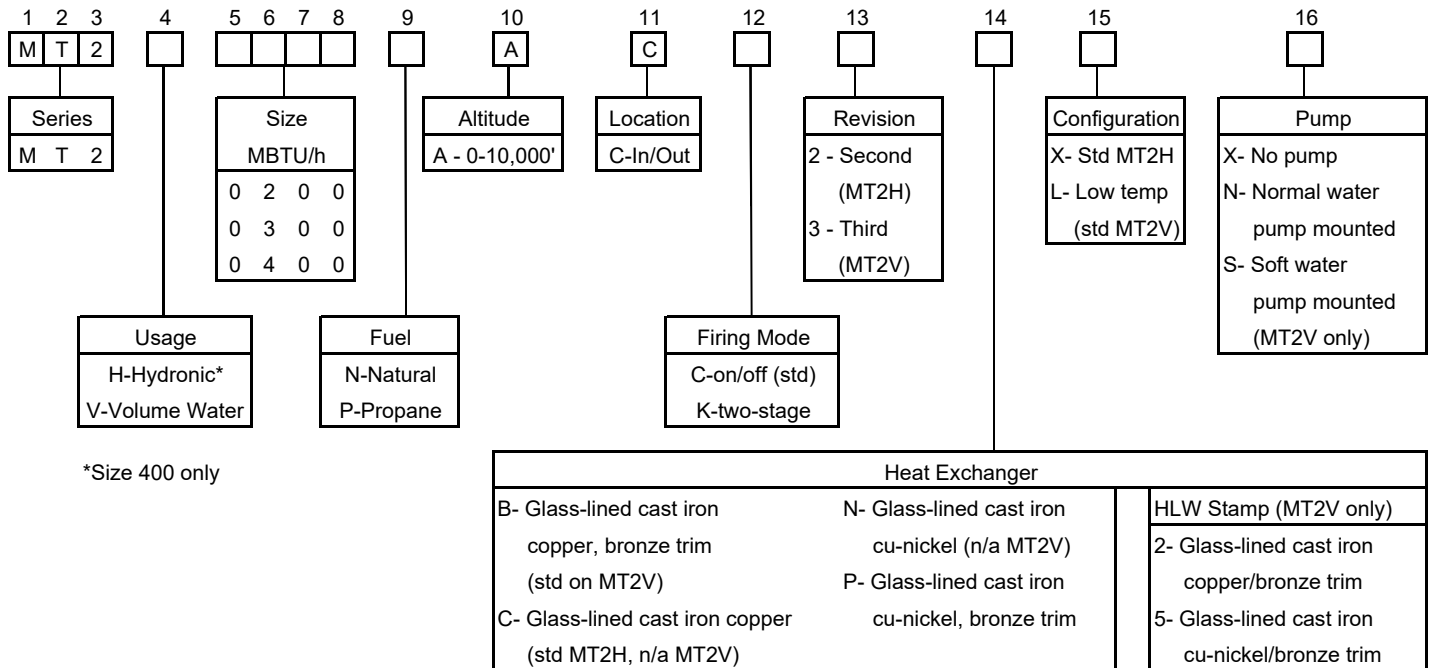
# Mighty Therm2 (200-400) Pricing - Effective December 6, 2021

## Hydronic Boilers and Volume Water Heaters

### Standard Features

- ASME 160psi working pressure heat exchanger
- ASME "H" stamp
- Indoor / outdoor
- Flanged water connections
- Glass-lined headers
- 75psi (517kPa) ASME rated pressure relief valve (MT2H)
- 125psi (861kPa) ASME rated pressure relief valve (MT2V)
- External header gaskets
- Redundant gas valve(s) / reg(s)
- Temperature/pressure gauge
- Manual "A" gas valve
- Intake air filter
- Stainless steel burners
- Built-in fan for Category I or III venting
- Air pressure switch
- Blocked vent switch
- Burner site glass
- 24V control system
- 115/24V transformer
- Flow switch
- Manual reset high limit
- Fusible link (model 200)
- Hot surface ignition
- On/off toggle switch
- Pump time delay
- Less than 30ppm NOx
- CSD-1 compliant

### Model Nomenclature



### Pricing

#### Hydronic Boilers

Model	MT2H0400
List Price	\$7,674
Weight	330

#### Volume Water Heaters

Model	MT2V0200	MT2V0300	MT2V0400
List Price	\$6,423	\$7,217	\$7,825
Weight	270	300	330

### Alternate Pressure Relief Valves

#### MT2V Water Heaters

To replace standard 125# PRV, add the kit number show, as a separate no-charge line item on the order.

- KM001301 - 30# PRV
- KM001302 - 50# PRV
- KM001303 - 60# PRV
- KM001304 - 75# PRV
- KM001305 - 150# PRV

#### MT2H Boilers

To replace standard 75# PRV, add the kit number show, as a separate no-charge line item on the order.

- KM001401 - 30# PRV
- KM001402 - 50# PRV
- KM001403 - 60# PRV
- KM001404 - 125# PRV
- KM001405 - 150# PRV

# Mighty Therm2 (200-400) Pricing - Effective December 6, 2021

## Hydronic Boilers and Volume Water Heaters

Configurations				
	Character in Model Number	Size 200	300	400
<b>Firing Mode</b> - 12th character in model number				
On/Off	C	n/c	n/c	n/c
Two-Stage	K	\$493	\$493	\$493
<b>Heat Exchanger Options</b> - 14th character in model number <span style="float: right;"><i>Add amount shown to list price</i></span>				
Glass-lined cast iron headers/copper tubes ( <b>std on MT2H</b> , n/a for MT2V)	C			n/c
Glass-lined cast iron headers/copper tubes/bronze trim ( <b>std on MT2V</b> ) (add price for MT2H)	B	MT2V - n/c	MT2V - n/c	MT2V - n/c MT2H - \$330
Glass-lined cast iron headers/cu-nickel tubes (n/a on MT2V)	N			\$857
Glass-lined cast iron headers/cu-nickel tubes/bronze trim added to MT2H	P			\$1,187
Glass-lined cast iron headers/cu-nickel tubes/bronze trim added to MT2V	P	\$421	\$622	\$857
Glass-lined cast iron headers/copper tubes/bronze trim, HLW (MT2V only)	2	n/c	n/c	n/c
Glass-lined cast iron headers/cu-nickel tubes/bronze trim, HLW (MT2V only)	5	\$421	\$622	\$857
<b>Configuration</b> - 15th character in model number <span style="float: right;"><i>Add amount shown to list price</i></span>				
Standard MT2H controls (n/a on MT2V)	X			n/c
Low-temp control (std on MT2V)	L	n/c	n/c	n/c
<b>Pump Options</b> - 16th character in model number <span style="float: right;"><i>Add amount shown to list price</i></span>				
No pump	X	n/c	n/c	n/c
Normal water, mounted	N	\$892	\$892	\$892
Soft water, mounted (MT2V only)	S	\$892	\$892	\$892
Additional Installed Options				
<b>Mounted Kits</b> <span style="float: right;"><i>Order kit number as separate line item</i></span>				
Low water cutoff, MT2H, std trim	Kit #			<u>KM000901</u>
	List Price			\$532
Low water cutoff, MT2V	Kit #	<u>KM000902</u>	<u>KM000902</u>	<u>KM000902</u>
	List Price	\$532	\$532	\$532
Low water cutoff, MT2H, bronze trim	Kit #			<u>KM000903</u>
	List Price			\$532
Reversed heat exchanger, non-pump-mounted unit	Kit #	<u>KM001000</u>	<u>KM001000</u>	<u>KM001000</u>
	List Price	\$259	\$259	\$259
Reversed heat exchanger, pump-mounted unit	Kit #	<u>KM001100</u>	<u>KM001100</u>	<u>KM001100</u>
	List Price	\$259	\$259	\$259
Accessories for Field Use				
<b>Vent/Air Parts for Units Installed Indoors</b>				
Side-wall vent terminal (required for side-wall venting)	Kit #	<u>CA003101</u>	<u>CA003102</u>	<u>CA003103</u>
	List Price	\$596	\$704	\$715
Side-wall combustion air terminal (required for ducted combustion air)	Kit #	<u>CA003201</u>	<u>CA003201</u>	<u>CA003202</u>
	List Price	\$338	\$338	\$689
<b>Vent/Air Parts for Units Installed Outdoors</b>				
Vent terminal & combustion air terminal kit <i>Kit contains flue collar adapter, length of vent pipe, rain cap, louvered air intake cover</i>	Kit #	<u>CA003001</u>	<u>CA003002</u>	<u>CA003003</u>
	List Price	\$1,020	\$1,213	\$1,549



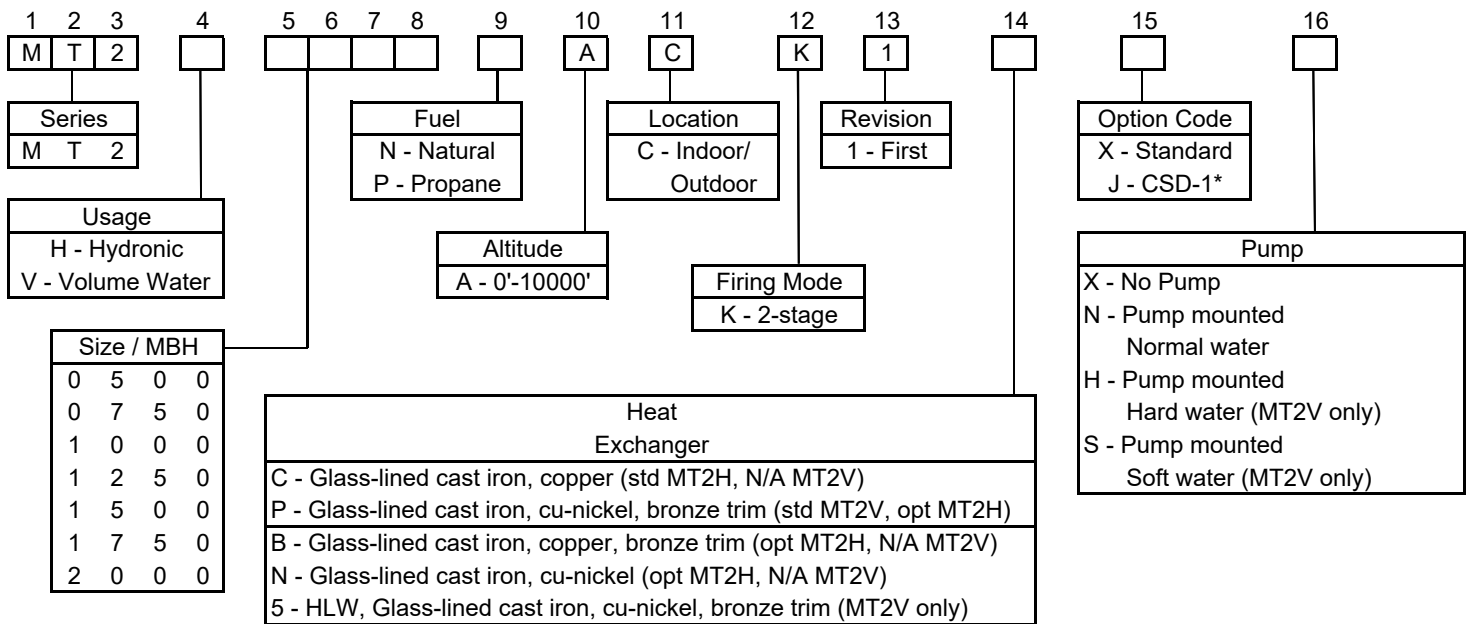
# Mighty Therm2 (500-2000) Pricing - Effective December 6, 2021

## Hydronic Boilers and Volume Water Heaters

### Standard Features

- ASME 160 psi working pressure heat exchanger
- ASME "H" stamp
- Indoor / outdoor
- Two-stage firing
- Flanged water connections
- Glass-lined cast iron headers
- Bronze trim std on MT2V
- External header gaskets
- 75 psi (517kPa) ASME rated pressure relief valve (MT2H)
- 125 psi (861kPa) ASME rated pressure relief valve (MT2V)
- Water flow switch
- Temperature and pressure gauge
- Multiple operating gas valve/ pressure regulators
- Manual "A" gas valve
- Intake air filter
- Multiple, removable burner trays
- Stainless steel burners
- Built-in draft fan(s) for Category I or III venting
- Air pressure switch
- Burner site glass
- 24V control system
- 115/24VAC transformer
- Manual reset high limit 240°F max (MT2H)
- Manual reset high limit 210°F max (MT2V)
- External controller connections with selector switch
- Hot surface ignition
- On/Off toggle switch
- Pump time delay
- Less than 10ppm NOx

### Model Nomenclature



**\*Option J: for CSD-1, GAP, FM, IL (low water cutoff not included)**

Adds high and low gas pressure switches, leak test valves, and changes standard ignition control to single trial.

### Additional Information

	500	750	1000	1250	1500	1750	2000
<b>Input, BTU/hr</b>	500,000	750,000	999,000	1,250,000	1,500,000	1,750,000	1,999,000
<b>Weight, lbs</b>	650	711	869	1051	1065	1084	1,284

(Add 55 lbs for pump-mounted units)

# Mighty Therm2 (500-2000) Pricing - Effective December 6, 2021

## Hydronic Boilers and Volume Water Heaters

### Pricing - Standard Unit (no pump or other options)

	500	750	1000	1250	1500	1750	2000
<b>Hydronic Boiler</b>	<u>MT2H0500</u>	<u>MT2H0750</u>	<u>MT2H1000</u>	<u>MT2H1250</u>	<u>MT2H1500</u>	<u>MT2H1750</u>	<u>MT2H2000</u>
4th character - H	\$12,599	\$14,344	\$16,773	\$19,281	\$22,794	\$23,442	\$26,283
<b>Volume Water Heater</b>	<u>MT2V0500</u>	<u>MT2V0750</u>	<u>MT2V1000</u>	<u>MT2V1250</u>	<u>MT2V1500</u>	<u>MT2V1750</u>	<u>MT2V2000</u>
4th character - V	\$13,246	\$14,914	\$17,275	\$19,943	\$23,442	\$24,546	\$26,915

### Pricing - Optional Configurations

	500	750	1000	1250	1500	1750	2000
<b>Fuel Options - 9th character code</b>							
Natural - N	n/c	n/c	n/c	n/c	n/c	n/c	n/c
Propane - P	n/c	n/c	n/c	n/c	n/c	n/c	n/c
<b>Heat Exchanger Options - 14th character code</b> <span style="float: right;"><i>Add amount shown to list price</i></span>							
C - Copper - <b>std MT2H</b> (n/a MT2V)	n/c	n/c	n/c	n/c	n/c	n/c	n/c
Cu-Nickel, Bronze trim - <b>std MT2V</b>							
P - MT2V - std - n/c	n/c	n/c	n/c	n/c	n/c	n/c	n/c
MT2H - add	\$1,598	\$2,212	\$2,649	\$3,317	\$3,484	\$4,201	\$4,284
Copper, Bronze trim							
B - MT2H - add (n/a MT2V)	\$680	\$680	\$680	\$680	\$680	\$680	\$680
Cu-Nickel							
N - MT2H - add (n/a MT2V)	\$918	\$1,532	\$1,969	\$2,638	\$2,806	\$3,521	\$3,604
5 - HLW Cu-Ni, Bronze trim (opt. MT2V, n/a MT2H)	n/c	n/c	n/c	n/c	n/c	n/c	n/c
<b>Control / Gas Train Options - 15th character code</b> <span style="float: right;"><i>Add amount shown to list price</i></span>							
X - Standard (no LWCO)	n/c	n/c	n/c	n/c	n/c	n/c	n/c
J - CSD-1, FM, GAP, IL (no LWCO)	\$681	\$787	\$921	\$1,390	\$1,390	\$1,390	\$1,471
<b>Pump Options - 16th character code</b> <span style="float: right;"><i>Add amount shown to list price (+55 lbs to ship weight)</i></span>							
X - No Pump	n/c	n/c	n/c	n/c	n/c	n/c	n/c
Normal Water Pump							
N - Mounted and Wired	\$1,390	\$1,390	\$1,449	\$1,449	\$1,663	\$1,663	\$2,075
Hard Water Pump							
H - Mounted and Wired (MT2V only)	\$1,663	\$1,663	\$1,663	\$1,663	\$1,663	\$1,663	\$2,075
Soft Water Pump							
S - Mounted and Wired (MT2V only)	\$1,390	\$1,390	\$1,390	\$1,390	\$1,390	\$1,663	\$2,075

# Mighty Therm2 (500-2000) Pricing - Effective December 6, 2021

## Hydronic Boilers and Volume Water Heaters

### Installed Options

*Order kit number as separate line item*

		500	750	1000	1250	1500	1750	2000
Low water cutoff for non-reversed heat exchanger	Kit #	<u>KM001500</u>	<u>KM001500</u>	<u>KM001500</u>	<u>KM001500</u>	<u>KM001500</u>	<u>KM001500</u>	<u>KM001500</u>
	Price	\$818	\$818	\$818	\$818	\$818	\$818	\$818
Low water cutoff for reversed heat exchanger	Kit #	<u>KM001600</u>	<u>KM001600</u>	<u>KM001600</u>	<u>KM001600</u>	<u>KM001600</u>	<u>KM001600</u>	<u>KM001600</u>
	Price	\$818	\$818	\$818	\$818	\$818	\$818	\$818
Reversed heat exchanger for unit with no pump	Kit #	<u>KM001801</u>	<u>KM001801</u>	<u>KM001803</u>	<u>KM001802</u>	<u>KM001802</u>	<u>KM001802</u>	<u>KM001802</u>
	Price	\$323	\$323	\$323	\$323	\$323	\$323	\$323
Reversed heat exchanger for unit with pump	Kit #	<u>KM001701</u>	<u>KM001701</u>	<u>KM001703</u>	<u>KM001702</u>	<u>KM001702</u>	<u>KM001702</u>	<u>KM001702</u>
	Price	\$323	\$323	\$323	\$323	\$323	\$323	\$323
200°F max controls (MT2H only)	Kit #	<u>KM001900</u>	<u>KM001900</u>	<u>KM001900</u>	<u>KM001900</u>	<u>KM001900</u>	<u>KM001900</u>	<u>KM001900</u>
	Price	\$193	\$193	\$193	\$193	\$193	\$193	\$193
Ignition failure alarm w/ bell, dry contacts, red trouble light, green main gas light	Kit #	<u>KM002000</u>	<u>KM002000</u>	<u>KM002000</u>	<u>KM002000</u>	<u>KM002000</u>	<u>KM002000</u>	<u>KM002000</u>
	Price	\$1,334	\$1,334	\$1,334	\$1,334	\$1,334	\$1,334	\$1,334
Auto reset high limit MT2H (added to manual reset limit)	Kit #	<u>KM002100</u>	<u>KM002100</u>	<u>KM002100</u>	<u>KM002300</u>	<u>KM002300</u>	<u>KM002300</u>	<u>KM002300</u>
	Price	\$292	\$292	\$292	\$292	\$292	\$292	\$292
Auto reset high limit MT2V & MT2H w/ 200°F max (added to manual reset limit)	Kit #	<u>KM002200</u>	<u>KM002200</u>	<u>KM002200</u>	<u>KM002400</u>	<u>KM002400</u>	<u>KM002400</u>	<u>KM002400</u>
	Price	\$292	\$292	\$292	\$292	\$292	\$292	\$292
Auto reset high limit MT2H for reversed HX (added to manual reset limit)	Kit #	<u>KM002100</u>	<u>KM002100</u>	<u>KM002100</u>	<u>KM002100</u>	<u>KM002100</u>	<u>KM002100</u>	<u>KM002100</u>
	Price	\$292	\$292	\$292	\$292	\$292	\$292	\$292
Auto reset high limit MT2V & MT2H w/ 200°F max, rev HX (added to manual reset limit)	Kit #	<u>KM002200</u>	<u>KM002200</u>	<u>KM002200</u>	<u>KM002200</u>	<u>KM002200</u>	<u>KM002200</u>	<u>KM002200</u>
	Price	\$292	\$292	\$292	\$292	\$292	\$292	\$292

### Accessories for Field Mounting

500      750      1000      1250      1500      1750      2000

*Order kit number as separate line item*

Alarm package		<u>CA015800</u>	<u>CA015800</u>	<u>CA015800</u>	<u>CA015800</u>	<u>CA015800</u>	<u>CA015800</u>	<u>CA015800</u>
		\$1,334	\$1,334	\$1,334	\$1,334	\$1,334	\$1,334	\$1,334

#### Indoor Venting Accessories

*Order kit number as separate line item*

Side-wall vent terminal (req'd for side-wall venting)	Kit #	<u>CA001406</u>	<u>CA001407</u>	<u>CA001407</u>	<u>CA001408</u>	<u>CA001408</u>	<u>CA001409</u>	<u>CA001409</u>
	Price	\$765	\$898	\$898	\$935	\$935	\$1,161	\$1,161
Side-wall comb. air terminal (req'd for side-wall ducted air)	Kit #	<u>CA20260701</u>	<u>CA20260703</u>	<u>CA20260703</u>	<u>CA20260706</u>	<u>CA20260706</u>	<u>CA20260706</u>	<u>CA20260706</u>
	Price	\$250	\$250	\$250	\$260	\$260	\$260	\$260

#### Outdoor Venting Accessories

*Order kit number as separate line item*

Outdoor vent terminal	Kit #	<u>20254703</u>	<u>20254705</u>	<u>20254705</u>	<u>D2007700</u>	<u>D2007700</u>	<u>D2007800</u>	<u>D2007800</u>
	Price	\$1,276	\$1,735	\$1,735	\$1,914	\$1,914	\$1,914	\$1,914
Outdoor combustion air terminal*	Kit #	<u>CA014701</u>	<u>CA014702</u>	<u>CA014702</u>	<u>CA014704</u>	<u>CA014704</u>	<u>CA014704</u>	<u>CA014704</u>
	Price	\$439	\$549	\$549	\$964	\$964	\$964	\$964

\*Alternate terminals may be used. Consult factory

#### Conversion Kits

*Order kit number as separate line item*

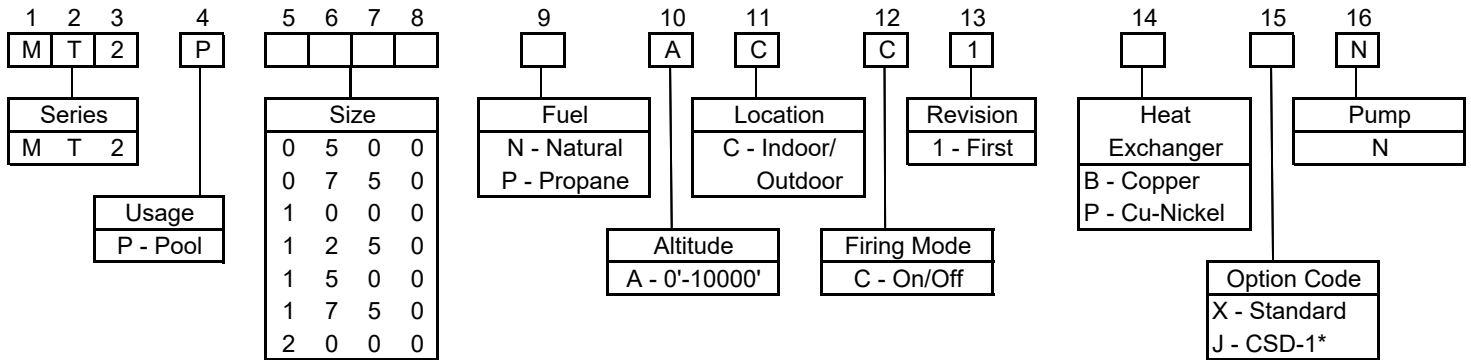
Propane to Natural Gas	Kit #	<u>CA007701</u>	<u>CA007702</u>	<u>CA007703</u>	<u>CA007704</u>	<u>CA007705</u>	<u>CA007706</u>	<u>CA007707</u>
	Price	\$80	\$111	\$142	\$177	\$209	\$242	\$273
Natural Gas to Propane	Kit #	<u>CA007708</u>	<u>CA007709</u>	<u>CA007710</u>	<u>CA007711</u>	<u>CA007712</u>	<u>CA007713</u>	<u>CA007714</u>
	Price	\$85	\$119	\$155	\$188	\$223	\$256	\$292

# Mighty Therm 2 Pool Heater Pricing - Effective December 6, 2021

## Standard Features

- ASME 160 psi working pressure
- ASME "H" stamp
- Indoor / outdoor
- Flanged water connections
- Glass-lined cast iron headers
- External header gaskets
- 75 psi (517kPa) ASME rated pressure relief valve
- Flow switch
- Temperature and pressure gauge
- Pump mounted and wired
- Automatic bypass and mixing system for low temperature protection
- Multiple operating gas valve/pressure regulators
- Manual "A" gas valve
- Intake air filter
- Multiple, removable burner trays
- Stainless steel burners
- Built-in draft fan(s) for Category I or III venting
- Air pressure switch
- Heater auto high limit 200°F
- Pool loop auto limit 135°F
- Burner site glass
- 24V control system
- 115/24VAC transformer
- Hot surface ignition
- On/Off toggle switch
- Pump time delay
- Diagnostic lights
- Less than 10ppm NOx
- External controller connections with selector switch

## Model Nomenclature



### \*Option J: for CSD-1, GAP, FM, IL (low water cutoff not included)

- Adds high and low gas pressure switches
- Adds lead test valves
- Changes ignition control from the standard three-attempt to a single attempt
- Changes heater automatic high limit to manual reset high limit

## Pricing

### Copper, Standard (Natural, Propane)

Model Number	List Price
MT2P0500 (N,P) ACC1BXN	\$16,937
MT2P0750 (N,P) ACC1BXN	\$18,704
MT2P1000 (N,P) ACC1BXN	\$22,609
MT2P1250 (N,P) ACC1BXN	\$27,324
MT2P1500 (N,P) ACC1BXN	\$29,366
MT2P1750 (N,P) ACC1BXN	\$32,389
MT2P2000 (N,P) ACC1BXN	\$33,894

### Copper, CSD-1 (Natural, Propane)

Model Number	List Price
MT2P0500 (N,P) ACC1BJN	\$17,618
MT2P0750 (N,P) ACC1BJN	\$19,491
MT2P1000 (N,P) ACC1BJN	\$23,530
MT2P1250 (N,P) ACC1BJN	\$28,714
MT2P1500 (N,P) ACC1BJN	\$30,756
MT2P1750 (N,P) ACC1BJN	\$33,779
MT2P2000 (N,P) ACC1BJN	\$35,365

### Cu-nickel, Standard (Natural, Propane)

Model Number	List Price
MT2P0500 (N,P) ACC1PXN	\$17,953
MT2P0750 (N,P) ACC1PXN	\$20,395
MT2P1000 (N,P) ACC1PXN	\$24,783
MT2P1250 (N,P) ACC1PXN	\$30,238
MT2P1500 (N,P) ACC1PXN	\$32,466
MT2P1750 (N,P) ACC1PXN	\$36,280
MT2P2000 (N,P) ACC1PXN	\$37,879

### Cu-nickel, CSD-1 (Natural, Propane)

Model Number	List Price
MT2P0500 (N,P) ACC1PJN	\$18,634
MT2P0750 (N,P) ACC1PJN	\$21,182
MT2P1000 (N,P) ACC1PJN	\$25,704
MT2P1250 (N,P) ACC1PJN	\$31,628
MT2P1500 (N,P) ACC1PJN	\$33,856
MT2P1750 (N,P) ACC1PJN	\$37,670
MT2P2000 (N,P) ACC1PJN	\$39,350

# Mighty Therm 2 Pool Heater Pricing - Effective December 6, 2021

## Installed Options

*Order kit number as separate line item*

		500	750	1000	1250	1500	1750	2000
Reversed heat exchanger	Kit #	<u>KM005900</u>	<u>KM005900</u>	<u>KM006000</u>	<u>KM006000</u>	<u>KM006000</u>	<u>KM006000</u>	<u>KM006000</u>
	Price	\$323	\$323	\$323	\$323	\$323	\$323	\$323
Low water cutoff	Kit #	<u>KM001500</u>	<u>KM001500</u>	<u>KM001500</u>	<u>KM001500</u>	<u>KM001500</u>	<u>KM001500</u>	<u>KM001500</u>
	Price	\$818	\$818	\$818	\$818	\$818	\$818	\$818
Low water cutoff for reversed heat exchanger	Kit #	<u>KM001600</u>	<u>KM001600</u>	<u>KM001600</u>	<u>KM001600</u>	<u>KM001600</u>	<u>KM001600</u>	<u>KM001600</u>
	Price	\$818	\$818	\$818	\$818	\$818	\$818	\$818
Ignition failure alarm w/ bell, dry contacts, & lights	Kit #	<u>KM002000</u>	<u>KM002000</u>	<u>KM002000</u>	<u>KM002000</u>	<u>KM002000</u>	<u>KM002000</u>	<u>KM002000</u>
	Price	\$1,334	\$1,334	\$1,334	\$1,334	\$1,334	\$1,334	\$1,334

## Accessories for Field Mounting

*Order kit number as separate line item*

		500	750	1000	1250	1500	1750	2000
Alarm package	Kit #	<u>CA015800</u>	<u>CA015800</u>	<u>CA015800</u>	<u>CA015800</u>	<u>CA015800</u>	<u>CA015800</u>	<u>CA015800</u>
	Price	\$1,334	\$1,334	\$1,334	\$1,334	\$1,334	\$1,334	\$1,334

### Indoor Installations

*Order kit number as separate line item*

Side-wall vent terminal (req'd for side-wall venting)	Kit #	<u>CA001406</u>	<u>CA001407</u>	<u>CA001407</u>	<u>CA001408</u>	<u>CA001408</u>	<u>CA001409</u>	<u>CA001409</u>
	Price	\$765	\$898	\$898	\$935	\$935	\$1,161	\$1,161
Side-wall comb. air terminal (req'd for side-wall ducted air)	Kit #	<u>CA20260701</u>	<u>CA20260703</u>	<u>CA20260703</u>	<u>CA20260706</u>	<u>CA20260706</u>	<u>CA20260706</u>	<u>CA20260706</u>
	Price	\$250	\$250	\$250	\$260	\$260	\$260	\$260

### Outdoor Installations

*Order kit number as separate line item*

Outdoor vent terminal	Kit #	<u>20254703</u>	<u>20254705</u>	<u>20254705</u>	<u>D2007700</u>	<u>D2007700</u>	<u>D2007800</u>	<u>D2007800</u>
	Price	\$1,276	\$1,735	\$1,735	\$1,914	\$1,914	\$1,914	\$1,914
Outdoor comb. air terminal*	Kit #	<u>CA014701</u>	<u>CA014702</u>	<u>CA014702</u>	<u>CA014704</u>	<u>CA014704</u>	<u>CA014704</u>	<u>CA014704</u>
	Price	\$439	\$549	\$549	\$964	\$964	\$964	\$964

\*Alternate terminals may be used. Consult factory.

### Conversion Kits

*Order kit number as separate line item*

Propane to Natural Gas	Kit #	<u>CA007701</u>	<u>CA007702</u>	<u>CA007703</u>	<u>CA007704</u>	<u>CA007705</u>	<u>CA007706</u>	<u>CA007707</u>
	Price	\$80	\$111	\$142	\$177	\$209	\$242	\$273
Natural Gas to Propane	Kit #	<u>CA007708</u>	<u>CA007709</u>	<u>CA007710</u>	<u>CA007711</u>	<u>CA007712</u>	<u>CA007713</u>	<u>CA007714</u>
	Price	\$85	\$119	\$155	\$188	\$223	\$256	\$292

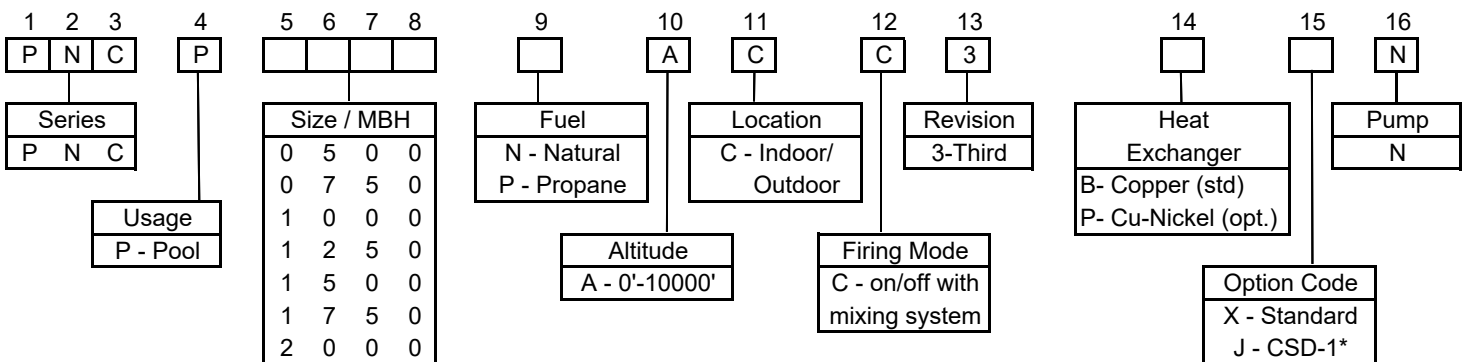
# Pennant CP Pool Heater Pricing - Effective December 6, 2021

## Pool Heater With Automatic Anti-Condense Mixing System

### Standard Features

- ASME 160 psi working pressure heat exchanger
- ASME "H" stamp
- Indoor / Outdoor
- Anti-condense mixing system
- Electronic staging & ignition control with LCD touchscreen
- Control of heater and pool pump
- Adjustable pump time delays
- BACnet MSTP & Modbus with opt. BACnet IP, Metasys, LonWorks
- Accepts External 0-10VDC or 4-20mA for remote control of temp or stages
- Displays clear text messages
- Diagnostics for analog/digital inputs
- Password protected parameters
- Quick start configuration
- Hot surface ignition
- 24V control system
- On/Off toggle switch
- 115/24VAC transformer
- Heater inlet & outlet sensors
- Pool loop supply & return sensors
- Manual reset heater high limit
- Auto reset heater high limit
- Manual reset pool loop high limit
- Auto reset pool loop high limit
- Dry run and alarm contacts
- Anti-frost mode
- Anti-short-cycle mode
- Pump, mounted & wired
- Flanged water connections
- Glass-lined cast iron headers
- External header gaskets
- Air pressure switch
- 75 psi (517kPa) ASME rated pressure relief valve (PNCH)
- Water flow switch
- Temperature and pressure gauge
- Multiple operating gas valve/pressure regulators
- Manual "A" gas valve
- Multiple, removable burner trays
- Stainless steel burners
- Built-in draft fan(s) for Category I or III venting
- Intake air filter
- Burner site glass

### Model Nomenclature



**\*Option J: for CSD-1, GAP, FM, IL (low water cutoff NOT included)**

Adds high and low gas pressure switches, leak test valves, and changes standard ignition control to single trial.

### List Pricing

#### Copper, Standard (Natural, Propane)

Model Number	List Price
PNCP0500 (N,P) ACC3BXN	\$18,393
PNCP0750 (N,P) ACC3BXN	\$19,984
PNCP1000 (N,P) ACC3BXN	\$24,917
PNCP1250 (N,P) ACC3BXN	\$28,588
PNCP1500 (N,P) ACC3BXN	\$33,567
PNCP1750 (N,P) ACC3BXN	\$38,986
PNCP2000 (N,P) ACC3BXN	\$39,773

#### Cu-nickel, Standard (Natural, Propane)

Model Number	List Price
PNCP0500 (N,P) ACC3PXN	\$19,419
PNCP0750 (N,P) ACC3PXN	\$21,690
PNCP1000 (N,P) ACC3PXN	\$27,111
PNCP1250 (N,P) ACC3PXN	\$31,531
PNCP1500 (N,P) ACC3PXN	\$36,694
PNCP1750 (N,P) ACC3PXN	\$42,915
PNCP2000 (N,P) ACC3PXN	\$43,795

#### Copper, CSD-1 (Natural, Propane)

Model Number	List Price
PNCP0500 (N,P) ACC3BJN	\$19,074
PNCP0750 (N,P) ACC3BJN	\$20,771
PNCP1000 (N,P) ACC3BJN	\$25,838
PNCP1250 (N,P) ACC3BJN	\$29,978
PNCP1500 (N,P) ACC3BJN	\$34,957
PNCP1750 (N,P) ACC3BJN	\$40,376
PNCP2000 (N,P) ACC3BJN	\$41,244

#### Cu-nickel, CSD-1 (Natural, Propane)

Model Number	List Price
PNCP0500 (N,P) ACC3PJN	\$20,100
PNCP0750 (N,P) ACC3PJN	\$22,477
PNCP1000 (N,P) ACC3PJN	\$28,032
PNCP1250 (N,P) ACC3PJN	\$32,921
PNCP1500 (N,P) ACC3PJN	\$38,084
PNCP1750 (N,P) ACC3PJN	\$44,305
PNCP2000 (N,P) ACC3PJN	\$45,266

# Pennant CP Pool Heater Pricing - Effective December 6, 2021

## Pool Heater With Automatic Anti-Condense Mixing System

### Installed Options

*Order kit number as separate line item*

		500	750	1000	1250	1500	1750	2000
Low water cutoff for non-reversed heat exchanger	Kit #	<u>KM000202</u>	<u>KM000202</u>	<u>KM000202</u>	<u>KM000202</u>	<u>KM000202</u>	<u>KM000202</u>	<u>KM000202</u>
	Price	\$818	\$818	\$818	\$818	\$818	\$818	\$818
Low water cutoff for reversed heat exchanger	Kit #	<u>KM000202</u>	<u>KM000202</u>	<u>KM000201</u>	<u>KM000201</u>	<u>KM000201</u>	<u>KM000201</u>	<u>KM000201</u>
	Price	\$818	\$818	\$818	\$818	\$818	\$818	\$818
Reversed heat exchanger	Kit #	<u>KM007003</u>	<u>KM007003</u>	<u>KM007003</u>	<u>KM007003</u>	<u>KM007003</u>	<u>KM007003</u>	<u>KM007003</u>
	Price	\$323	\$323	\$323	\$323	\$323	\$323	\$323
Alternate display orientation for top unit in stacked system	Kit #	<u>KM007502</u>	<u>KM007501</u>	<u>KM007501</u>	<u>KM007501</u>	<u>KM007501</u>	<u>KM007501</u>	<u>KM007501</u>
	Price	n/c	n/c	n/c	n/c	n/c	n/c	n/c

### Accessories for Field Mounting

#### Controls

*Order kit number as separate line item*

Gateway for BACnet IP and Modbus TCP/IP	Kit #	<u>CA015900</u>	<u>CA015900</u>	<u>CA015900</u>	<u>CA015900</u>	<u>CA015900</u>	<u>CA015900</u>	<u>CA015900</u>
	Price	\$3,015	\$3,015	\$3,015	\$3,015	\$3,015	\$3,015	\$3,015
Gateway for LonWorks	Kit #	<u>CA015901</u>	<u>CA015901</u>	<u>CA015901</u>	<u>CA015901</u>	<u>CA015901</u>	<u>CA015901</u>	<u>CA015901</u>
	Price	\$3,015	\$3,015	\$3,015	\$3,015	\$3,015	\$3,015	\$3,015

#### Indoor Venting Accessories

*Order kit number as separate line item*

Side-wall vent terminal (req'd for side-wall venting)	Kit #	<u>CA001401</u>	<u>CA001402</u>	<u>CA001402</u>	<u>CA001405</u>	<u>CA001405</u>	<u>CA001404</u>	<u>CA001404</u>
	Price	\$730	\$898	\$898	\$935	\$935	\$1,161	\$1,161
Side-wall comb. air terminal (req'd for side-wall ducted air)	Kit #	<u>CA20260701</u>	<u>CA20260703</u>	<u>CA20260703</u>	<u>CA20260706</u>	<u>CA20260706</u>	<u>CA20260706</u>	<u>CA20260706</u>
	Price	\$250	\$250	\$250	\$260	\$260	\$260	\$260

#### Outdoor Venting Accessories

*Order kit number as separate line item*

Outdoor vent terminal	Kit #	<u>20254703</u>	<u>20254705</u>	<u>20254705</u>	<u>D2007700</u>	<u>D2007700</u>	<u>D2007800</u>	<u>D2007800</u>
	Price	\$1,276	\$1,735	\$1,735	\$1,914	\$1,914	\$1,914	\$1,914
Outdoor combustion air terminal*	Kit #	<u>D2007900</u>	<u>D2008000</u>	<u>D2008000</u>	<u>D2008200</u>	<u>D2008200</u>	<u>D2008200</u>	<u>D2008200</u>
	Price	\$218	\$386	\$386	\$483	\$483	\$483	\$483

\*Alternate terminals may be used. Consult factory

#### Conversion Kits

*Order kit number as separate line item*

Propane to Natural Gas	Kit #	<u>CA007701</u>	<u>CA007702</u>	<u>CA007703</u>	<u>CA007704</u>	<u>CA007705</u>	<u>CA007706</u>	<u>CA007707</u>
	Price	\$80	\$111	\$142	\$177	\$209	\$242	\$273
Natural Gas to Propane	Kit #	<u>CA007708</u>	<u>CA007709</u>	<u>CA007710</u>	<u>CA007711</u>	<u>CA007712</u>	<u>CA007713</u>	<u>CA007714</u>
	Price	\$85	\$119	\$155	\$188	\$223	\$256	\$292

#### Reversed Heat Exchangers

*Order kit number as separate line item*

Reversed heat exchanger	Kit #	<u>CA015203</u>	<u>CA015203</u>	<u>CA015203</u>	<u>CA015203</u>	<u>CA015203</u>	<u>CA015203</u>	<u>CA015203</u>
	Price	\$323	\$323	\$323	\$323	\$323	\$323	\$323

### Additional Information

	500	750	1000	1250	1500	1750	2000
<b>Input, BTU/hr</b>	500,000	750,000	999,000	1,250,000	1,500,000	1,750,000	1,999,000
<b>Shipping Weight, lbs</b>	775	870	1035	1130	1285	1380	1510



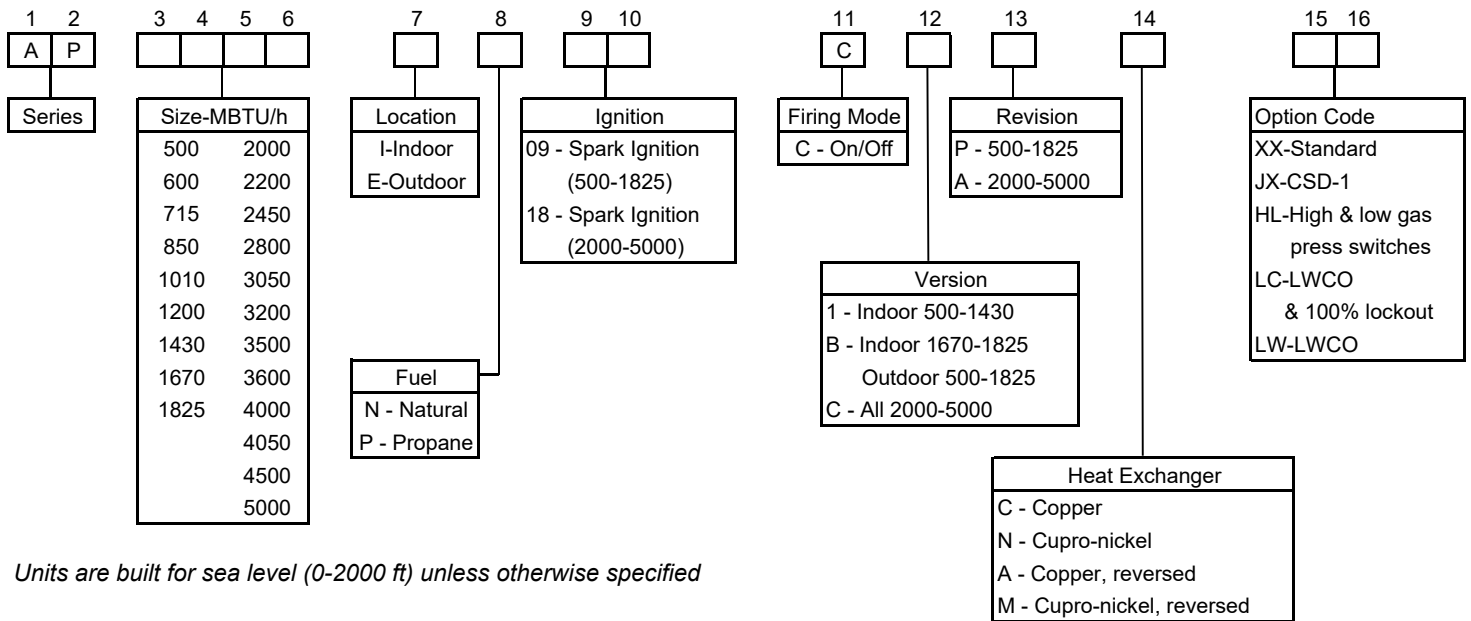
# Mighty Therm AP Pricing - Effective December 6, 2021

## Commercial Pool Heating Boilers

### Standard Features

- Integral finned copper tube heat exchanger, ASME 160 psi working pressure, 2-pass configuration
- Integral pump (500-1825)
- Glass-lined cast iron headers
- 75 psi (517kPa) ASME rated PRV
- Two temperature gauges (500-1825)
- Water flow switch (500-1825)
- Water pressure switch (2000-5000)
- Built-in integral draft hood (indoor models)
- Stainless steel burners
- Redundant safety gas valve
- High gas pressure switch (2800 & up)
- Manual "A" gas valve
- Manual pilot valve
- Pilot gas regulator
- Non-combustible base (500-1825 outdoor)
- Electronic operating control with remote sensor for pool loop (500-1825)
- Pump time delay (500-1825)
- Adjustable auto reset high limit for pool loop (max 135°F) (500-1825)
- Adj. auto reset high limit for heater outlet (max 200°F) (500-1825)
- Adjustable manual reset high limit for heater outlet (max 140°F)
- 115/24VAC transformer
- On/Off toggle switch
- Power on light
- 2 amp fuse

### Model Nomenclature



### Pricing - Standard Unit

Indoor Units			
Size	List Price	Size	List Price
	Ign Sys 9		Ign Sys 18
500	\$13,741	2000	\$27,545
600	\$14,290	2450	\$29,080
715	\$14,650	3050	\$33,307
850	\$15,572	3500	\$37,055
1010	\$16,444	4050	\$40,028
1200	\$17,272	4500	\$43,243
1430	\$18,041	5000	\$45,300
1670	\$19,542		
1825	\$20,278		

Outdoor Units			
Size	List Price	Size	List Price
	Ign Sys 9		Ign Sys 18
500	\$15,963	2200	\$32,207
600	\$16,393	2800	\$36,498
715	\$16,918	3200	\$41,142
850	\$17,569	3600	\$43,203
1010	\$19,027	4000	\$46,146
1200	\$19,910	4500	\$48,248
1430	\$20,730		
1670	\$21,119		
1825	\$22,777		

# Mighty Therm AP Pricing - Effective December 6, 2021

## Commercial Pool Heating Boilers

### Additional Equipment Information

Components	Model Size	
	500-2450	2800-5000
High gas pressure switch	Optional	Standard
Low gas pressure switch	Optional	Optional
100% lockout ignition control	Standard on propane and all CSD-1 units. Optional on natural gas non-CSD-1 units.	Standard on propane and all CSD-1 units. Optional on natural gas non-CSD-1 units.

### Special Codes & Options - Descriptions

Size	CSD-1	Size	CSD-1
500-2450	Adds: <ul style="list-style-type: none"> <li>• LWCO (with manual reset and test button)</li> <li>• Manual firing valve</li> <li>• Leak test valve</li> <li>• 100% lockout ignition control</li> </ul>	2800-5000	Adds: <ul style="list-style-type: none"> <li>• LWCO (with manual reset and test button)</li> <li>• Manual firing valve</li> <li>• Multiple leak test valves</li> <li>• 100% lockout ignition control</li> <li>• Low gas pressure switches</li> </ul>

### Special Codes & Options - List Price Adders

Size	CSD-1	Low Water Cutoff	LWCO and 100% Lockout*	High & Low Gas Pressure Switches	Cupro-Nickel Tubes
500	\$903	\$635	\$746	\$787	\$1,226
600	\$903	\$635	\$746	\$787	\$1,417
715	\$903	\$635	\$746	\$787	\$1,626
850	\$903	\$635	\$746	\$787	\$1,766
1010	\$934	\$635	\$746	\$787	\$1,908
1200	\$934	\$635	\$746	\$787	\$2,175
1430	\$934	\$635	\$746	\$787	\$2,515
1670	\$984	\$635	\$746	\$787	\$2,846
1825	\$984	\$635	\$746	\$787	\$3,083
2000	\$984	\$635	\$746	\$787	\$4,135
2200 E / 2450 I	\$984	\$635	\$746	\$749	\$5,007
2800 E / 3050 I	\$1,726	\$635	\$746	\$564	\$6,208
3200 E / 3500 I	\$1,726	\$635	\$746	\$564	\$7,069
3600 E / 4050 I	\$1,726	\$635	\$746	\$652	\$7,941
4000 E / 4500 I	\$1,726	\$635	\$746	\$652	\$8,699
4500 E / 5000 I	\$1,726	\$635	\$746	\$652	\$9,416

\*100% lockout is standard on all propane units.

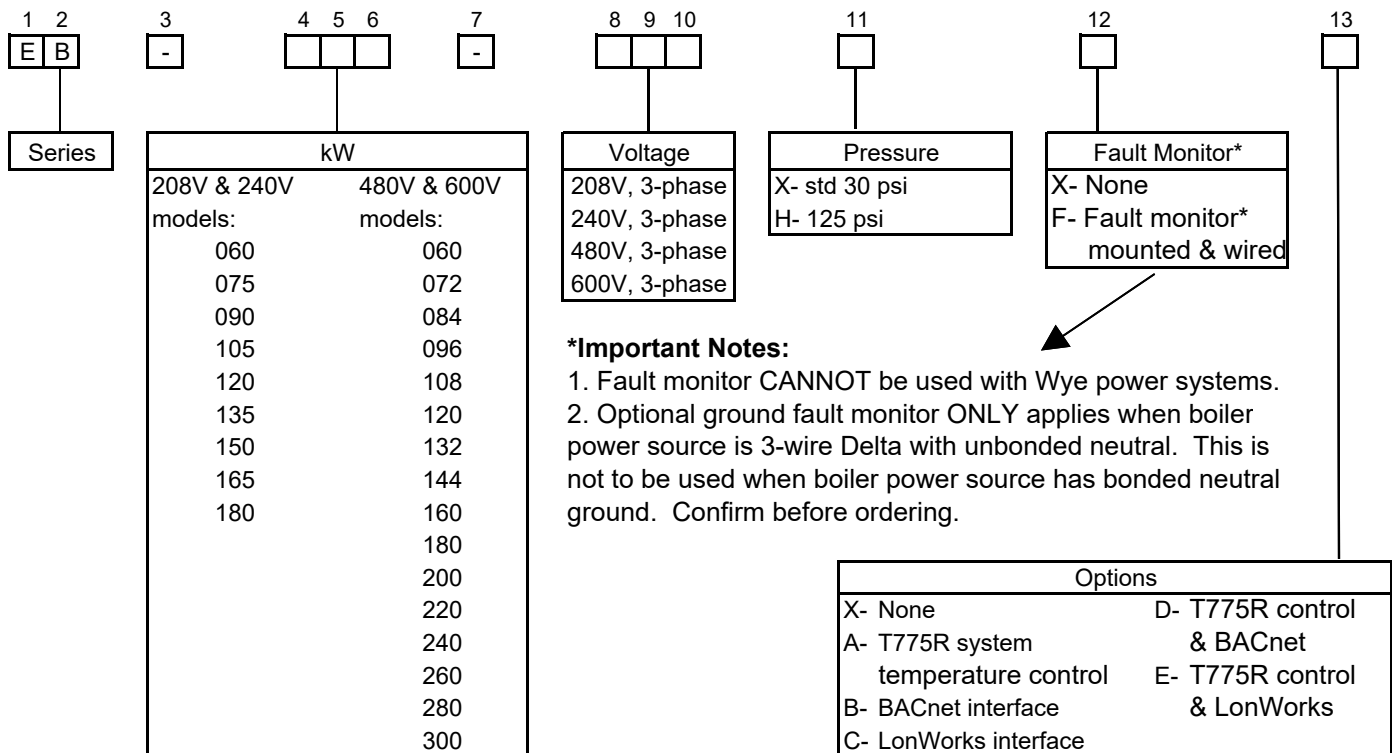
# Laars Commercial Electric Boiler Pricing - Effective December 6, 2021

## Model EB

### Standard Features

- ASME pressure vessel
- National Board & CRN registration
- Meets ASME CSD-1 requirements
- ASME 30 psi pressure rating and relief valve (125 psi optional)
- SCCR rated at 5 kW
- Temperature & pressure gauge
- 3" Inspection opening
- 3" NPT water connections
- Integrated 1/2" air vent
- Supply and return water temperature sensing
- Digital temperature control with display
- Multiple boiler lead-lag control
- 0-10VDC external boiler control
- Adjustable outdoor reset
- Manual reset high limit, 220°F
- Auto reset high limit, 210°F
- Low water cutoff with manual reset
- Stage active lights
- Circuit breakers or fuse protection on each stage
- Emergency shutdown connections point
- Safety door interlock
- Lockable door latch

### Model Nomenclature



### Options Pricing

Add to list price of boiler

12th Model Character	Description	List Price
F	Boiler Fault Monitor, Mounted & Wired	Call Laars

Add to list price of boiler

13th Model Character	Description	List Price
A	T775R System Temperature Control	\$2,154
B	BACnet Interface	\$2,264
C	LonWorks Interface	\$2,264
D	T775R Control & BACnet Interface	\$4,418
E	T775R Control & LonWorks Interface	\$4,418

# Laars Commercial Electric Boiler Pricing - Effective December 6, 2021

## Model EB List Prices

### Standard Models (with 30 psi Rating & PRV)

Model Number	kW	Btu/hour Output	Voltage 3-Phase	Total Amps	Element Quantity	Steps	Boiler Weight	List Price
EB-060-208XXX	60	204,728	208	166.5	4	4 @ 15	680 lbs	\$27,007
EB-075-208XXX	75	255,910	208	208.2	5	5 @ 15	685 lbs	\$28,672
EB-090-208XXX	90	307,092	208	249.8	6	6 @ 15	690 lbs	\$30,336
EB-105-208XXX	105	358,274	208	291.5	7	7 @ 15	695 lbs	\$34,134
EB-120-208XXX	120	409,457	208	333.1	8	8 @ 15	700 lbs	\$35,910
EB-135-208XXX	135	460,639	208	374.7	9	9 @ 15	705 lbs	\$37,686
EB-150-208XXX	150	511,821	208	416.4	10	10 @ 15	710 lbs	\$39,462
EB-165-208XXX	165	563,003	208	458.0	11	11 @ 15	715 lbs	\$41,238
EB-180-208XXX	180	614,185	208	499.6	12	12 @ 15	720 lbs	\$46,087
EB-060-240XXX	60	204,728	240	144.3	4	4 @ 15	680 lbs	\$27,007
EB-075-240XXX	75	255,910	240	180.4	5	5 @ 15	685 lbs	\$28,672
EB-090-240XXX	90	307,092	240	216.5	6	6 @ 15	690 lbs	\$30,336
EB-105-240XXX	105	358,274	240	252.6	7	7 @ 15	695 lbs	\$34,134
EB-120-240XXX	120	409,457	240	288.7	8	8 @ 15	700 lbs	\$35,910
EB-135-240XXX	135	460,639	240	324.8	9	9 @ 15	705 lbs	\$37,686
EB-150-240XXX	150	511,821	240	360.8	10	10 @ 15	710 lbs	\$39,462
EB-165-240XXX	165	563,003	240	396.9	11	11 @ 15	715 lbs	\$41,238
EB-180-240XXX	180	614,185	240	433.0	12	12 @ 15	720 lbs	\$46,087
EB-060-480XXX	60	204,728	480	72.2	5	5 @ 12	685 lbs	\$25,981
EB-072-480XXX	72	245,674	480	86.6	6	6 @ 12	690 lbs	\$26,977
EB-084-480XXX	84	286,619	480	101.0	7	7 @ 12	695 lbs	\$27,974
EB-096-480XXX	96	327,565	480	115.5	8	8 @ 12	700 lbs	\$28,970
EB-108-480XXX	108	368,511	480	129.9	9	9 @ 12	705 lbs	\$31,841
EB-120-480XXX	120	409,457	480	144.3	10	10 @ 12	710 lbs	\$32,899
EB-132-480XXX	132	450,402	480	158.8	11	11 @ 12	715 lbs	\$33,959
EB-144-480XXX	144	491,348	480	173.2	12	12 @ 12	720 lbs	\$35,017
EB-160-480XXX	160	545,942	480	192.5	8	8 @ 20	700 lbs	\$36,076
EB-180-480XXX	180	614,185	480	216.5	9	9 @ 20	705 lbs	\$39,610
EB-200-480XXX	200	682,428	480	240.6	10	10 @ 20	710 lbs	\$40,739
EB-220-480XXX	220	750,671	480	264.6	11	11 @ 20	715 lbs	\$48,311
EB-240-480XXX	240	818,914	480	288.7	12	12 @ 20	720 lbs	\$49,614
EB-260-480XXX	260	887,156	480	312.7	13	13 @ 20	725 lbs	\$50,917
EB-280-480XXX	280	955,400	480	336.8	14	14 @ 20	730 lbs	\$52,220
EB-300-480XXX	300	1,023,642	480	360.8	15	15 @ 20	735 lbs	\$53,524
EB-060-600XXX	60	204,728	600	57.7	5	5 @ 12	685 lbs	\$25,981
EB-072-600XXX	72	245,674	600	69.3	6	6 @ 12	690 lbs	\$26,977
EB-084-600XXX	84	286,619	600	80.8	7	7 @ 12	695 lbs	\$27,974
EB-096-600XXX	96	327,565	600	92.4	8	8 @ 12	700 lbs	\$28,970
EB-108-600XXX	108	368,511	600	103.9	9	9 @ 12	705 lbs	\$31,841
EB-120-600XXX	120	409,457	600	115.5	10	10 @ 12	710 lbs	\$32,899
EB-132-600XXX	132	450,402	600	127.0	11	11 @ 12	715 lbs	\$33,959
EB-144-600XXX	144	491,348	600	138.6	12	12 @ 12	720 lbs	\$35,017
EB-160-600XXX	160	545,942	600	154.0	8	8 @ 20	700 lbs	\$36,076
EB-180-600XXX	180	614,185	600	173.2	9	9 @ 20	705 lbs	\$39,610
EB-200-600XXX	200	682,428	600	192.5	10	10 @ 20	710 lbs	\$40,739
EB-220-600XXX	220	750,671	600	211.7	11	11 @ 20	715 lbs	\$48,311
EB-240-600XXX	240	818,914	600	230.9	12	12 @ 20	720 lbs	\$49,614
EB-260-600XXX	260	887,156	600	250.2	13	13 @ 20	725 lbs	\$50,917
EB-280-600XXX	280	955,400	600	269.4	14	14 @ 20	730 lbs	\$52,220
EB-300-600XXX	300	1,023,642	600	288.7	15	15 @ 20	735 lbs	\$53,524

# Laars Commercial Electric Boiler Pricing - Effective December 6, 2021

## Model EB List Prices

### Models with Optional 125 psi Rating & PRV

Model Number	kW	Btu/hour Output	Voltage 3-Phase	Total Amps	Element Quantity	Steps	Boiler Weight	List Price
EB-060-208HXX	60	204,728	208	166.5	4	4 @ 15	680 lbs	\$27,970
EB-075-208HXX	75	255,910	208	208.2	5	5 @ 15	685 lbs	\$29,635
EB-090-208HXX	90	307,092	208	249.8	6	6 @ 15	690 lbs	\$31,300
EB-105-208HXX	105	358,274	208	291.5	7	7 @ 15	695 lbs	\$35,098
EB-120-208HXX	120	409,457	208	333.1	8	8 @ 15	700 lbs	\$36,873
EB-135-208HXX	135	460,639	208	374.7	9	9 @ 15	705 lbs	\$38,649
EB-150-208HXX	150	511,821	208	416.4	10	10 @ 15	710 lbs	\$40,426
EB-165-208HXX	165	563,003	208	458.0	11	11 @ 15	715 lbs	\$42,202
EB-180-208HXX	180	614,185	208	499.6	12	12 @ 15	720 lbs	\$47,050
EB-060-240HXX	60	204,728	240	144.3	4	4 @ 15	680 lbs	\$27,970
EB-075-240HXX	75	255,910	240	180.4	5	5 @ 15	685 lbs	\$29,635
EB-090-240HXX	90	307,092	240	216.5	6	6 @ 15	690 lbs	\$31,300
EB-105-240HXX	105	358,274	240	252.6	7	7 @ 15	695 lbs	\$35,098
EB-120-240HXX	120	409,457	240	288.7	8	8 @ 15	700 lbs	\$36,873
EB-135-240HXX	135	460,639	240	324.8	9	9 @ 15	705 lbs	\$38,649
EB-150-240HXX	150	511,821	240	360.8	10	10 @ 15	710 lbs	\$40,426
EB-165-240HXX	165	563,003	240	396.9	11	11 @ 15	715 lbs	\$42,202
EB-180-240HXX	180	614,185	240	433.0	12	12 @ 15	720 lbs	\$47,050
EB-060-480HXX	60	204,728	480	72.2	5	5 @ 12	685 lbs	\$26,945
EB-072-480HXX	72	245,674	480	86.6	6	6 @ 12	690 lbs	\$27,941
EB-084-480HXX	84	286,619	480	101.0	7	7 @ 12	695 lbs	\$28,937
EB-096-480HXX	96	327,565	480	115.5	8	8 @ 12	700 lbs	\$29,934
EB-108-480HXX	108	368,511	480	129.9	9	9 @ 12	705 lbs	\$32,804
EB-120-480HXX	120	409,457	480	144.3	10	10 @ 12	710 lbs	\$33,862
EB-132-480HXX	132	450,402	480	158.8	11	11 @ 12	715 lbs	\$34,922
EB-144-480HXX	144	491,348	480	173.2	12	12 @ 12	720 lbs	\$35,981
EB-160-480HXX	160	545,942	480	192.5	8	8 @ 20	700 lbs	\$37,039
EB-180-480HXX	180	614,185	480	216.5	9	9 @ 20	705 lbs	\$40,573
EB-200-480HXX	200	682,428	480	240.6	10	10 @ 20	710 lbs	\$41,704
EB-220-480HXX	220	750,671	480	264.6	11	11 @ 20	715 lbs	\$49,275
EB-240-480HXX	240	818,914	480	288.7	12	12 @ 20	720 lbs	\$50,578
EB-260-480HXX	260	887,156	480	312.7	13	13 @ 20	725 lbs	\$51,881
EB-280-480HXX	278	948,575	480	334.4	13	7@20/6@23	725 lbs	\$53,184
EB-300-480HXX	299	1,020,230	480	359.6	13	13 @ 23	725 lbs	\$54,489
EB-060-600HXX	60	204,728	600	57.7	5	5 @ 12	685 lbs	\$26,945
EB-072-600HXX	72	245,674	600	69.3	6	6 @ 12	690 lbs	\$27,941
EB-084-600HXX	84	286,619	600	80.8	7	7 @ 12	695 lbs	\$28,937
EB-096-600HXX	96	327,565	600	92.4	8	8 @ 12	700 lbs	\$29,934
EB-108-600HXX	108	368,511	600	103.9	9	9 @ 12	705 lbs	\$32,804
EB-120-600HXX	120	409,457	600	115.5	10	10 @ 12	710 lbs	\$33,862
EB-132-600HXX	132	450,402	600	127.0	11	11 @ 12	715 lbs	\$34,922
EB-144-600HXX	144	491,348	600	138.6	12	12 @ 12	720 lbs	\$35,981
EB-160-600HXX	160	545,942	600	154.0	8	8 @ 20	700 lbs	\$37,039
EB-180-600HXX	180	614,185	600	173.2	9	9 @ 20	705 lbs	\$40,573
EB-200-600HXX	200	682,428	600	192.5	10	10 @ 20	710 lbs	\$41,704
EB-220-600HXX	220	750,671	600	211.7	11	11 @ 20	715 lbs	\$49,275
EB-240-600HXX	240	818,914	600	230.9	12	12 @ 20	720 lbs	\$50,578
EB-260-600HXX	260	887,156	600	250.2	13	13 @ 20	725 lbs	\$51,881
EB-280-600HXX	278	948,575	600	267.5	13	7@20/6@23	725 lbs	\$53,184
EB-300-600HXX	299	1,020,230	600	287.7	13	13 @ 23	725 lbs	\$54,489

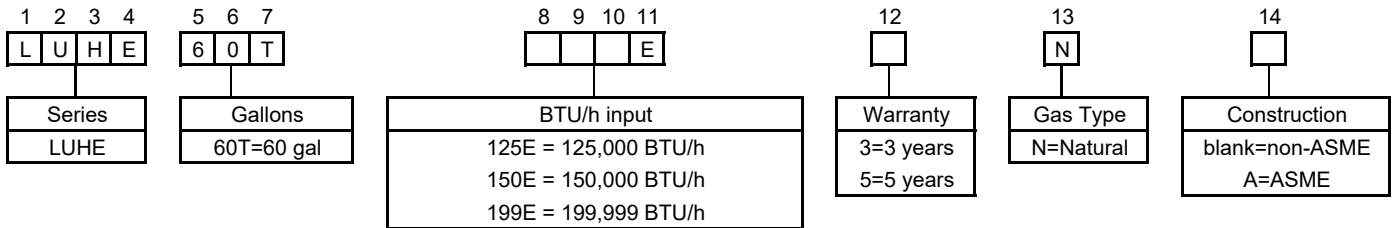
# Laars U.H.E. Series Pricing - Effective December 6, 2021

## Standard Features

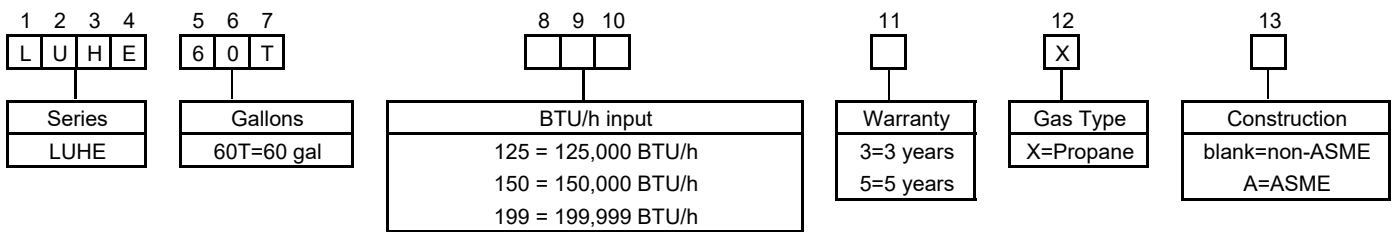
- ASME and non-ASME models
- Energy Star qualified
- Minimum 94% thermal efficiency
- Complies with the latest ultra-low NOx requirement (14ng/J limit)
- Temperature setting up to 180°F for sanitizing capability
- Electronic integrated temperature and ignition control with diagnostics
- NSF construction kit available
- Eight digitally displayed service screens
- Flame current and diagnostic codes are clearly displayed
- Lockable maximum temperature
- Direct spark ignition
- °F or °C operation and display
- Down-fired, premix power burner
- Submerged combustion chamber
- Three-pass heat exchanger
- Sediment reduction system
- 1" NPT side connections for space heating
- Flexible venting options
- Exhaust pressure switch
- T&P relief valve installed
- Low restrictive brass drain valve

## Model Nomenclature

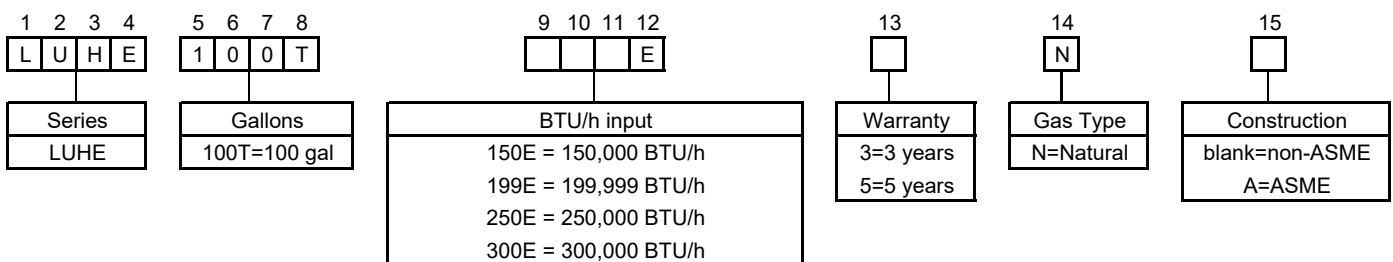
### Natural Gas 60 Gallon Models



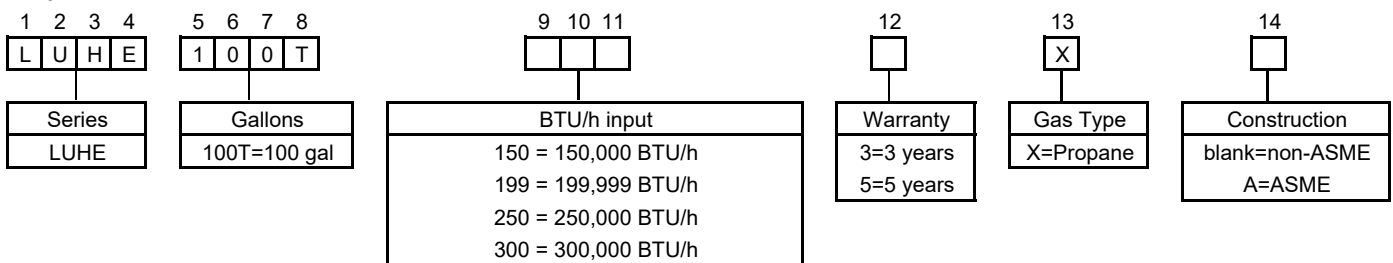
### Propane 60 Gallon Models



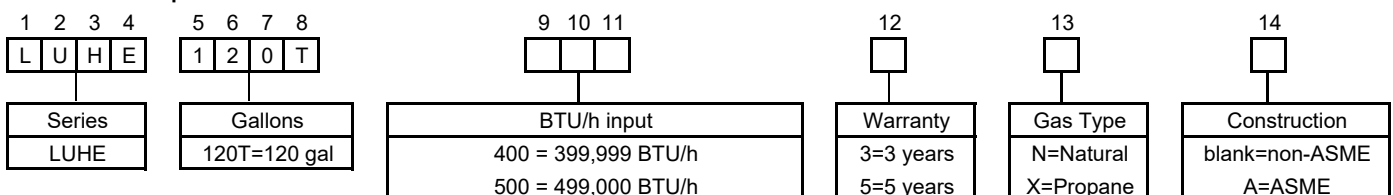
### Natural Gas 100 Gallon Models



### Propane 100 Gallon Models



### Natural and Propane 120 Gallon Models



## Laars U.H.E. Series Pricing - Effective December 6, 2021

### Ultra High Efficiency Commercial Gas Water Heaters

Model	Gallons	Weight lbs	List Price	Model	Gallons	Weight lbs	List Price
<b>Natural, Non-ASME, 3-year Warranty</b>				<b>Natural, ASME, 3-year Warranty</b>			
LUHE60T125E3N	60	570	\$10,178	LUHE60T125E3NA	60	570	\$12,997
LUHE60T150E3N	60	570	\$13,697	LUHE60T150E3NA	60	570	\$15,581
LUHE60T199E3N	60	570	\$13,929	LUHE60T199E3NA	60	570	\$16,295
LUHE100T150E3N	100	900	\$14,200	LUHE100T150E3NA	100	900	\$17,344
LUHE100T199E3N	100	900	\$14,270	LUHE100T199E3NA	100	900	\$17,374
LUHE100T250E3N	100	900	\$15,954	LUHE100T250E3NA	100	900	\$19,088
LUHE100T300E3N	100	900	\$17,994	LUHE100T300E3NA	100	900	\$21,300
LUHE120T4003N	119	1120	\$19,748	LUHE120T4003NA	119	1120	\$22,836
LUHE120T5003N	119	1135	\$23,131	LUHE120T5003NA	119	1135	\$25,217
<b>Propane, Non-ASME, 3-year Warranty</b>				<b>Propane, ASME, 3-year Warranty</b>			
LUHE60T1253X	60	570	\$10,178	LUHE60T1253XA	60	570	\$12,997
LUHE60T1503X	60	570	\$13,697	LUHE60T1503XA	60	570	\$15,581
LUHE60T1993X	60	570	\$13,929	LUHE60T1993XA	60	570	\$16,295
LUHE100T1503X	100	900	\$14,200	LUHE100T1503XA	100	900	\$17,344
LUHE100T1993X	100	900	\$14,270	LUHE100T1993XA	100	900	\$17,374
LUHE100T2503X	100	900	\$15,954	LUHE100T2503XA	100	900	\$19,088
LUHE100T3003X	100	900	\$17,994	LUHE100T3003XA	100	900	\$21,300
LUHE120T4003X	119	1120	\$19,748	LUHE120T4003XA	119	1120	\$22,836
LUHE120T5003X	119	1135	\$23,131	LUHE120T5003XA	119	1135	\$25,217
<b>Natural, Non-ASME, 5-year Warranty</b>				<b>Natural, ASME, 5-year Warranty</b>			
LUHE60T125E5N	60	570	\$10,929	LUHE60T125E5NA	60	570	\$13,962
LUHE60T150E5N	60	570	\$14,765	LUHE60T150E5NA	60	570	\$16,911
LUHE60T199E5N	60	570	\$15,158	LUHE60T199E5NA	60	570	\$17,798
LUHE100T150E5N	100	900	\$15,220	LUHE100T150E5NA	100	900	\$18,601
LUHE100T199E5N	100	900	\$15,318	LUHE100T199E5NA	100	900	\$18,658
LUHE100T250E5N	100	900	\$17,142	LUHE100T250E5NA	100	900	\$20,498
LUHE100T300E5N	100	900	\$19,347	LUHE100T300E5NA	100	900	\$22,892
LUHE120T4005N	119	1120	\$21,622	LUHE120T4005NA	119	1120	\$24,949
LUHE120T5005N	119	1135	\$25,005	LUHE120T5005NA	119	1135	\$27,330
<b>Propane, Non-ASME, 5-year Warranty</b>				<b>Propane, ASME, 5-year Warranty</b>			
LUHE60T1255X	60	570	\$10,929	LUHE60T1255XA	60	570	\$13,962
LUHE60T1505X	60	570	\$14,765	LUHE60T1505XA	60	570	\$16,911
LUHE60T1995X	60	570	\$15,158	LUHE60T1995XA	60	570	\$17,798
LUHE100T1505X	100	900	\$15,220	LUHE100T1505XA	100	900	\$18,601
LUHE100T1995X	100	900	\$15,318	LUHE100T1995XA	100	900	\$18,658
LUHE100T2505X	100	900	\$17,142	LUHE100T2505XA	100	900	\$20,498
LUHE100T3005X	100	900	\$19,347	LUHE100T3005XA	100	900	\$22,892
LUHE120T4005X	119	1120	\$21,622	LUHE120T4005XA	119	1120	\$24,949
LUHE120T5005X	119	1135	\$25,005	LUHE120T5005XA	119	1135	\$27,330

#### BACnet gateway

Part Number 415-53943-00 - List Price \$2960

#### Condensate Neutralizer Kits

Part Number A2123601 for 125,000 to 150,000 units - List Price \$165

Part Number A2123602 for 199,000 to 499,000 units - List Price \$264

#### Concentric Vent Kits:\*

Part Number	Description	List Price	*Check specification/submittal sheet for allowable terminal types and sizes
239-44069-01	3" Concentric Terminal	\$133	
239-44069-02	2" Concentric Terminal	\$133	
CA010101	3" Low Profile Terminal	\$120	
CA010102	4" Low Profile Terminal	\$120	

**NSF Compliance Kit** - Part Number 265-44542-04 - List Price \$74



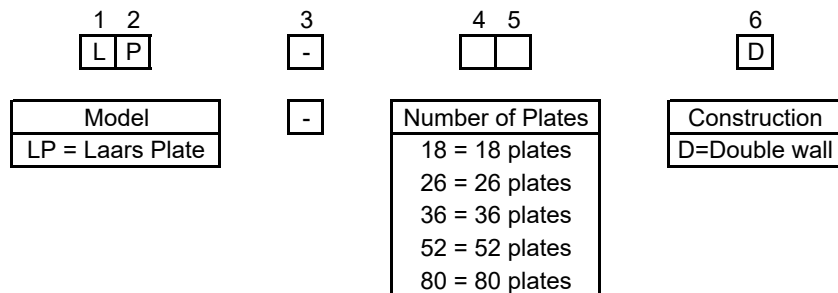
# Laars Plate Pricing - Effective December 6, 2021

## Plate and Frame Commercial Indirect Water Heater

### Standard Features

- ASME section VIII stamped
- Rated in accordance with ANSI/AHRI Standard 400
- PID controller
- RS 485 Modbus and BACnet data port
- Compatible with BAS/BMS
- Audible over-temp alarm
- Completely skid-mounted and wired
- Double-wall stainless steel construction
- 3-way control valve
- 150psi temperature & pressure relief valve
- Backflush connections
- Isolation valves
- Temperature gauge
- Drain valve
- Inlet strainers
- Compatible with condensing and non-condensing boilers
- 5-year heat exchanger warranty

### Model Nomenclature



### List Pricing

Model	List Price
LP-18D	\$40,765
LP-26D	\$44,065
LP-36D	\$47,365
LP-52D	\$52,800
LP-80D	\$62,895

# Laars-Stor Pricing - Effective December 6, 2021

## Indirect Water Heaters

Model	Description	Weight Lbs	List Price
<b>Commercial (single wall)</b>			
LS-SW65C5	58 gallon	265	\$4,188
LS-SW80C5	73 gallon	293	\$4,521
LS-SW120C5	114 gallon	415	\$6,117

# Jacketed Hot Water Storage Tank Pricing - Effective December 6, 2021

## Glass-Lined, Insulated, Jacketed and Painted Tanks

Part Number	Description	Weight	List Price
A0073100	80 gallons, 2" connections	250	\$2,778
A0073101	80 gallons, 2" connections, ASME	250	\$5,838
A0078800	120 gallons, 2" connections	315	\$4,295
A0070101	120 gallons, 2.5" connections, ASME	315	\$8,780
A2086000	200 gallons, 2.5" connections, ASME	750	\$13,807
A0031900	Anode replacement, aluminum, 3/4" NPT, 48" segmented		\$467

# Commercial Products Pricing and Ordering

Please visit [www.laars.com/termsandconditions](http://www.laars.com/termsandconditions) to review the complete and current Terms and Conditions for all Laars purchases.

## Laars Boiler Controls Pricing - Effective December 6, 2021

### Multiple Boiler Controls for Modulating Boilers, such as NeoTherm, Rheos, & MagnaTherm

Part Number	Description	<b>M4 Control Family</b>		Weight	List
				lbs	Price
CA009200	Laars M4-LHS - Multiple boiler sequencing control with outdoor reset for up to four modulating boilers, or a combination of modulating and stage-fired boilers. This controller is especially useful for hybrid systems with a mix of condensing and non-condensing boilers. Use with up to two M4EXT modules to control more stages, and use with the Laars XSIG or Laars H-BAC module. M4-LHS includes water sensor, outdoor air sensor and clip.			2.5	\$3,983
CA009100	Laars X-BAC - Use this module with the M4-LHS controller to allow a BACnet system to control the M4-LHS, and to obtain information from it. When used with an M4-LHS and NeoTherm or MagnaTherm units, the X-BAC will allow a user to send information directly from the boiler to the BACnet system.			1	\$1,714
CA004400	Laars M4-EXT - Extension module control, to add 6 more boilers to the control system. Includes RS485 connection cable. Up to two M4EXT modules can be used with one M4 control, for control of up to 16 boilers from the same system			2.5	\$4,076
CA004200	Laars X-SIG - Module that can be used with S8 and M4 controls, allowing an external 4-20mA signal to adjust the control setpoint. Includes RS485 cable.			1	\$1,486
CA002400	Sensor - System water temp and outdoor air, two included with each M4-LHS			1	\$242
CA002500	Sensor well - used with CA002400, included with each M4-LHS			1	\$140

### MC4 Control Family

CA001500	MC4 - Control for up to four modulating boilers. Includes system water sensor and well, outdoor air sensor and clip, and three relays. NEMA 1 enclosure.			14	\$11,107
CA004500	MC4-RINET - and MC4 control with alternate CPU and communication board allows user to manage the control through an internet connection. NOTE - \$20 monthly fee applies			14	\$15,922
CA004600	MC4-BAC - an MC4 control with alternate CPU and communication board allows user to manage the control through a BACnet connection			14	\$15,922
CA002100	Extension module for MC4. Allows up to 4 CA002200 extension cards and relays (sold separately) to control up to 8 additional boilers. Up to 2 extension modules can be used with one MC4			14	\$3,569
CA002200	Extension card for CA002100 extension module. Accepts up to 2 relays.			1	\$1,749
CA002300	Relay for CA002200 extension module. Use up to 2 relays for card.			1	\$407
CA002400	Sensor - System water temp and outdoor air, two included with each MC4			1	\$242
CA002500	Sensor well - used with CA002400, included with each MC4			1	\$140

### Multiple Boiler Controls for Stage-Fired Boilers, such as Pennant and Mighty Therm 2

### S8 Control Family

CA004000	S8 - Multiple boiler sequencing control with outdoor reset for up to eight boiler stages. Will control on/off, two-stage and four-stage boilers.			2.5	\$3,339
CA004100	S8EXT - Extension module for S8 control, to add 8 boiler stages to the control system. Includes RS485 cable. Up to two S8EXT modules can be used with one S8 control, for control of up to 24 boiler stages on the same system.			2.5	\$2,505
CA004200	Laars X-SIG - Module that can be used with S8 and M4 controls, allowing an external 4-20mA signal to adjust the control setpoint. Includes RS485 cable.			1	\$1,486
CA002400	Sensor - System water temp and outdoor air, two included with each S8			1	\$242
CA002500	Sensor well - used with CA002400, included with each S8			1	\$140



Customer Service and Product Support: 800.900.9276 • Fax 800.559.1583  
 Headquarters: 20 Industrial Way, Rochester, NH, USA 03867 • 603.335.6300 • Fax 603.335.3355  
 9 Brigen Gate, Halton Hills, Ontario, Canada L7G 0A3 • 905.203.0600 • Fax 905.636.0666

[www.Laars.com](http://www.Laars.com)

Litho in U.S.A. © Laars Heating Systems 21-11 Document 6041AU